

Vol. 18

TECHNICAL MANUAL

STEREO RECEIVER
R-X400/R-X500B

+ RX-550VBKL No 2976

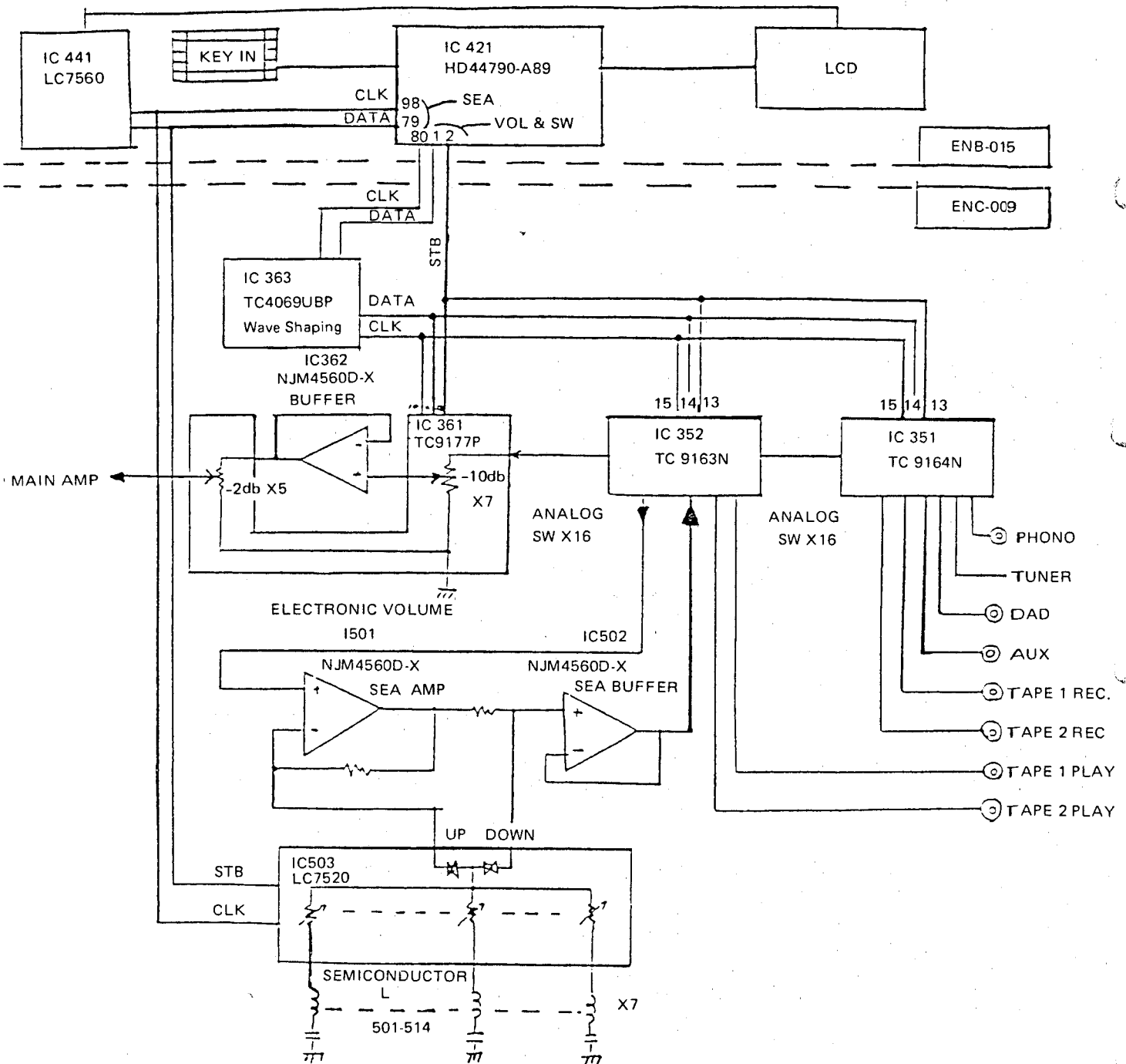
JVC

GENERAL INFORMATION

Model: R-X400 and R-X500B

Subject: Circuits of electronic volume and source changeover switch for R-X400 and 500B, and associated trouble shooting.

1. Block Diagram



2. Circuit Operation

1) Source changeover switch

The source changeover SW for the R-X 400 or 500B consists of analog switches IC351 (TC9164N) and IC352 (TC9163N) which are switched in response to serial data.

Page 6 shows the initial structures of the analog switches TC9164N, TC9163N and the operating data to actuate them.

The internal connections of the analog switches TC9164N and TC9163N are as shown on page 9. Control data from the analog switch IC421, i.e. a microcomputer HD44790-A89, actuates the corresponding switches as indicated in the table on page 10, providing the following functions:

- a. source changeover (PHONO, TUNER, DAD, AUX)
- b. tape monitor changeover (TAPE -1,2)
- c. SEA source ON-OFF
- d. SEA REC ON-OFF
- e. TAPE DUBBING ON-OFF

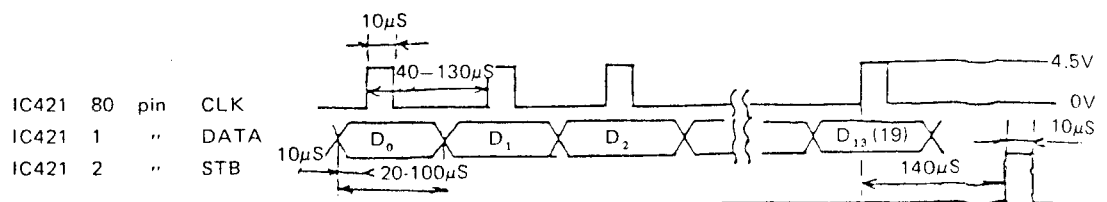
2) Electronic Volume

Page 11 shows the internal structure of the electronic volume IC, (IC361; TC9177P). The electronic volume is comprised of two separate volumes, i.e. a 7-step volume which changes by -10dB and therefore covers a range of 0 ~ -7dB, and a 5-step volume which changes by -2dB, covering 0 ~ -3dB and ∞ (infinite) dB. The electronic volume IC also includes a circuit IC362 (NjM4560D-X) serving as a buffer between the two separate volumes so that the entire volume may function as a volume capable of covering 0 ~ -76dB, and ∞ dB with 2dB steps.

Further, the electronic volume IC incorporate an analog switch serving as a loudness switch and is turned on and off in response to serial data.

3) Data to actuate the source changeover switch and the electronic volume

Serial data to control the source changeover switch and the electronic volume are delivered from a circuit module IC421 (HD44790-A89). Depression of switch SOURCE CHANGEOVER; TAPE MONITOR; SEA SOURCE; REC; DUBBING; VOLUME UP-DOWN; BALANCE L.R; MUTING; or LOUDNESS causes the analog switch IC421 to deliver the following output: DATA, CLK or STB.



The outputs, CLK and DATA might have potential crossover noise mixed into the analog switches and electronic volumes and therefore they are subjected to undergo a waveform shaping process. This waveform shaping process is done by IC363 (TC4069UBP) so as to make their pulse width narrower and convert their frequencies to about 500KHz(2.5msec) which is outside the audio frequency range. The peak voltages of the data signals are about 4.5V.

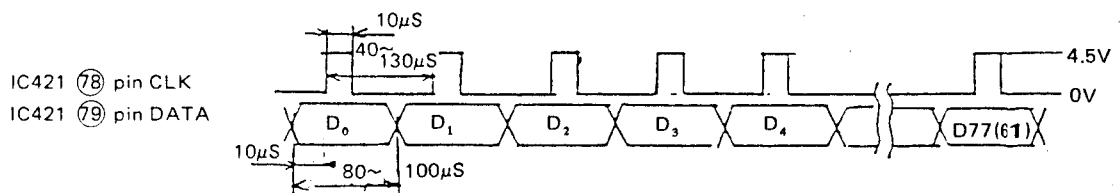
In case of source changeover the contents of data are transmitted in the following order:

- 1) IC361 is set at $-\infty$ db (20 bits)-----muting
- 2) IC351 ALL OFF (14 bits) -----preventing oscillation in analog switch loops
- 3) IC351 set (14 bits)
- 4) IC351 set (14 bits)
- 5) IC361 VOL Set (20 bits)-----L and then R being separately set when balance is lost.

In cases of other modes such as VOLUME UP-DOWN; BALANCE L.R.; MUTE AND LOUDNESS, only modified data (20 bits) is delivered.

4) Electronic SEA

Electronic SEA is composed of a SEA Amp., IC501 (NjM4560D-X), a SEA buffer IC502 (NjM4560D-X), a semiconductor L consisting of Q501 through 514, and an electronic SEA volume IC, IC503 LC7520 and the control data for LC7520 are shown on pages 14, 16, and 18. The electronic volume IC LC7520 is controlled by serial data, i.e. CLK and DATA, delivered from IC421 (HD44790-A89).



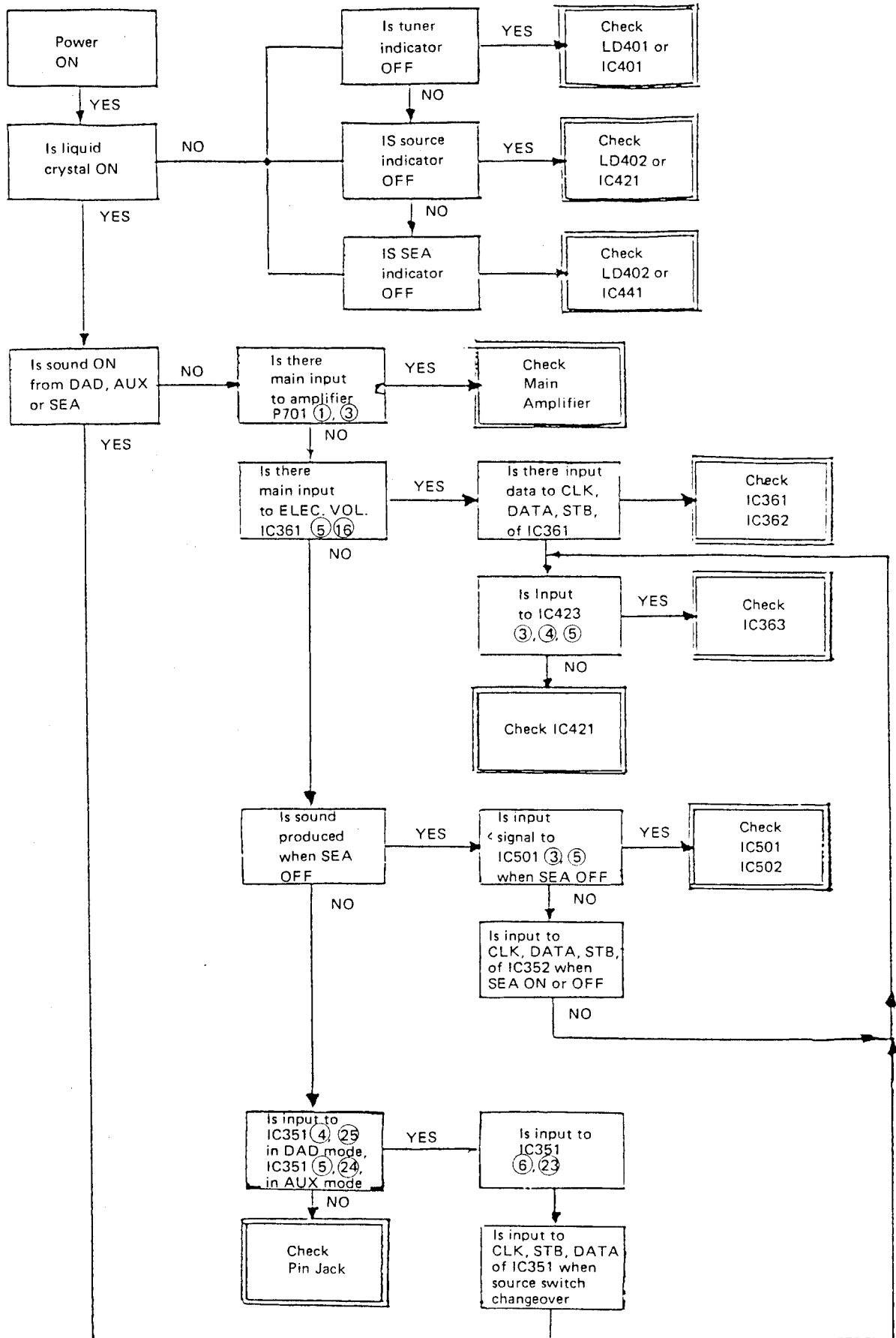
In this case, the following contents of data are transmitted:

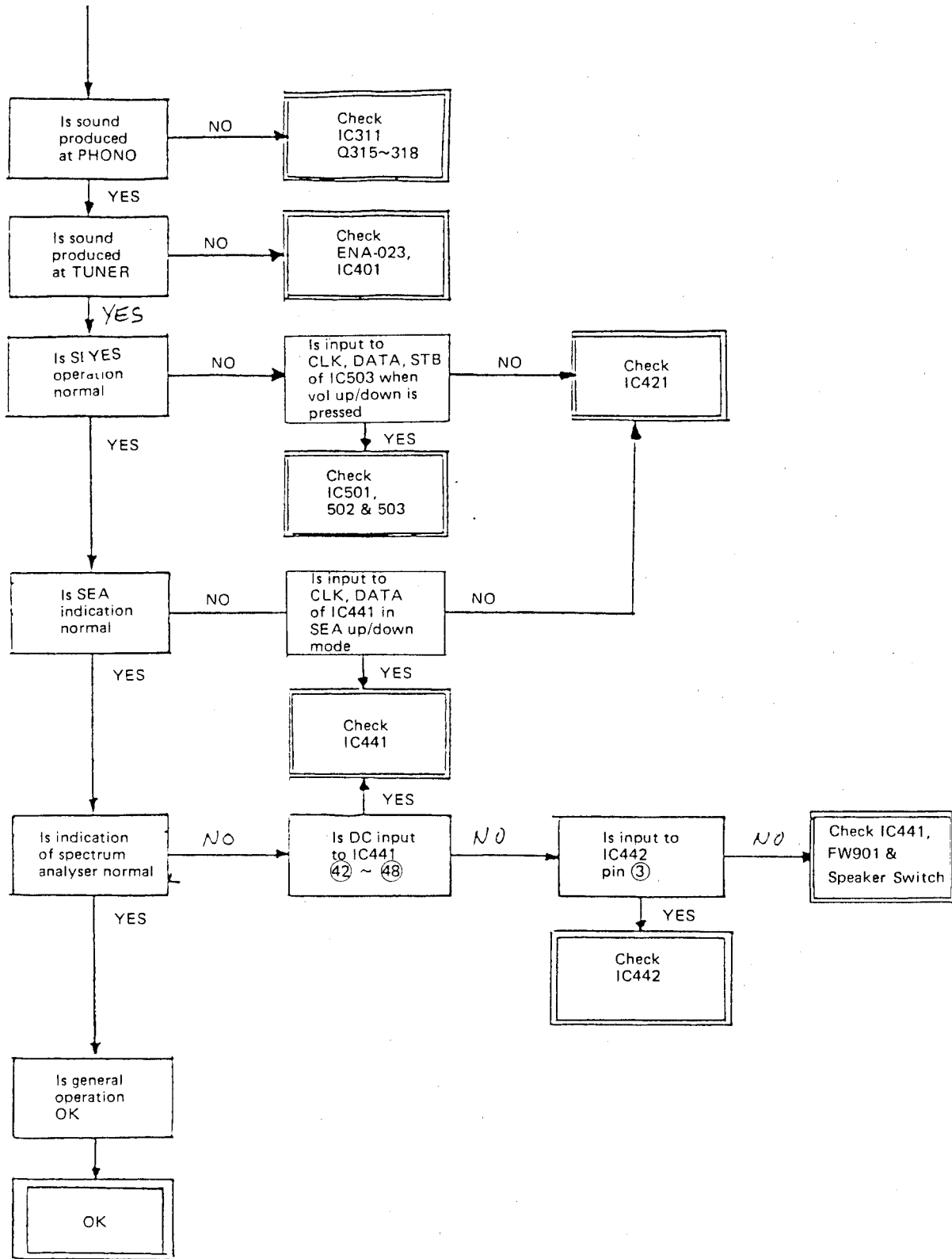
- (1) SEA VOL SET (78 bits)
- (2) SEA DISP SET (62 bits)

1. It is a 78-bit signal that is related to LC7520.
2. A 62-bit signal is the data for IC441 (LC7560), which indicates SEA position and spectrum analyzer in use.

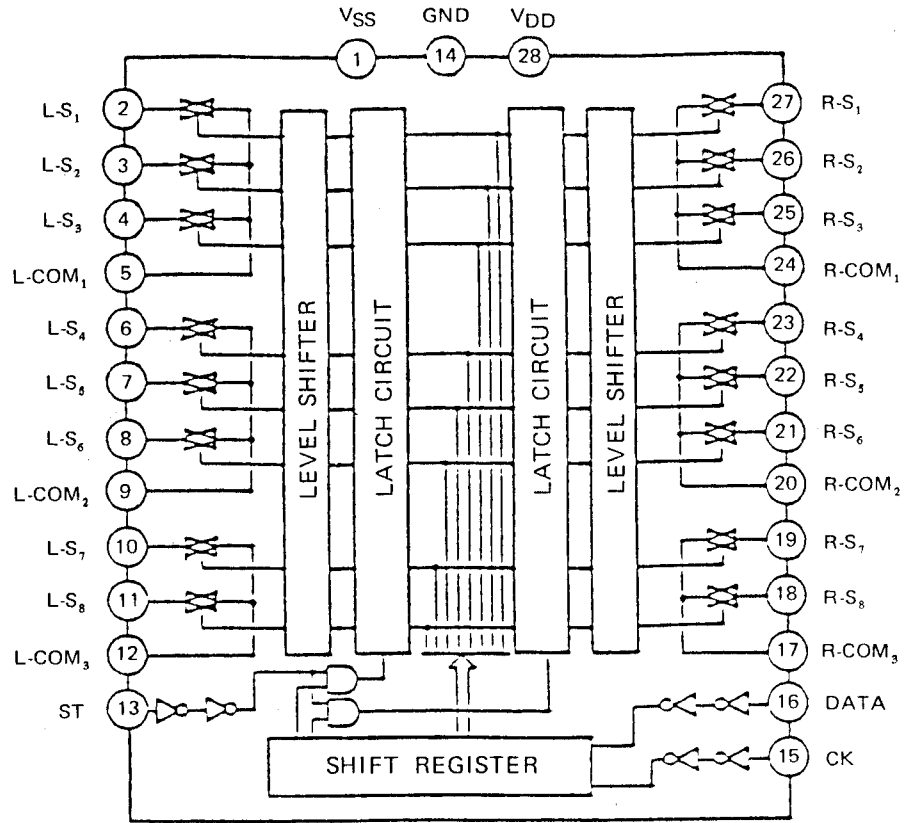
The block diagram of LC7560 and the control data for LC7560 are shown on pages 14, 15, 17 and 18.

3. Trouble Shooting Guide

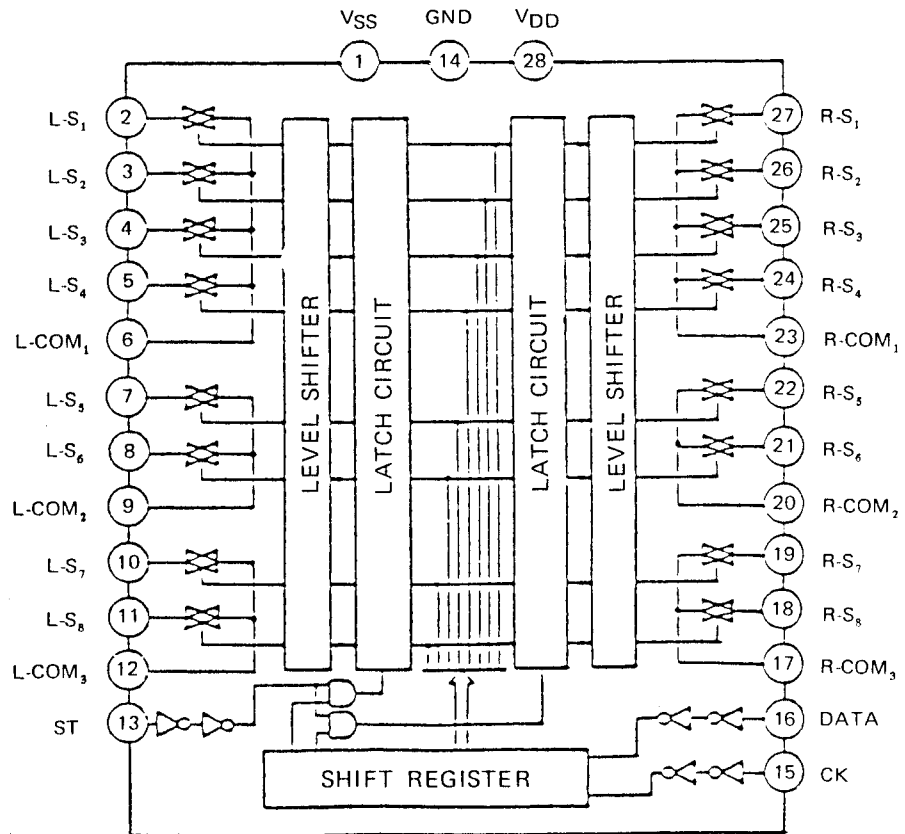




TC9163N

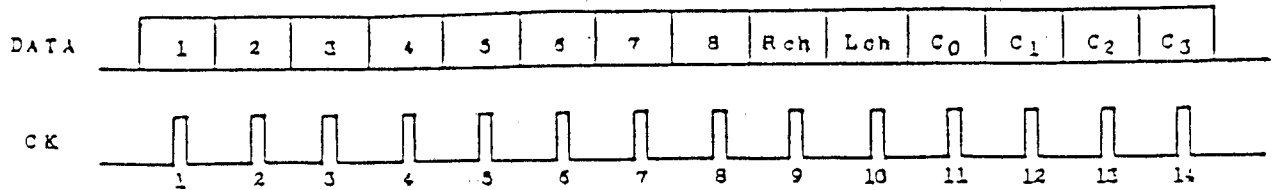


TC9164N



DESCRIPTION OF OPERATION: DATA INPUT

The analog switches TC9162/63/64N can be arbitrarily control the individual analog switching elements by receiving predetermined data at the terminals DATA, CK and ST. the data consists of 14 bits and has a structure as shown below.



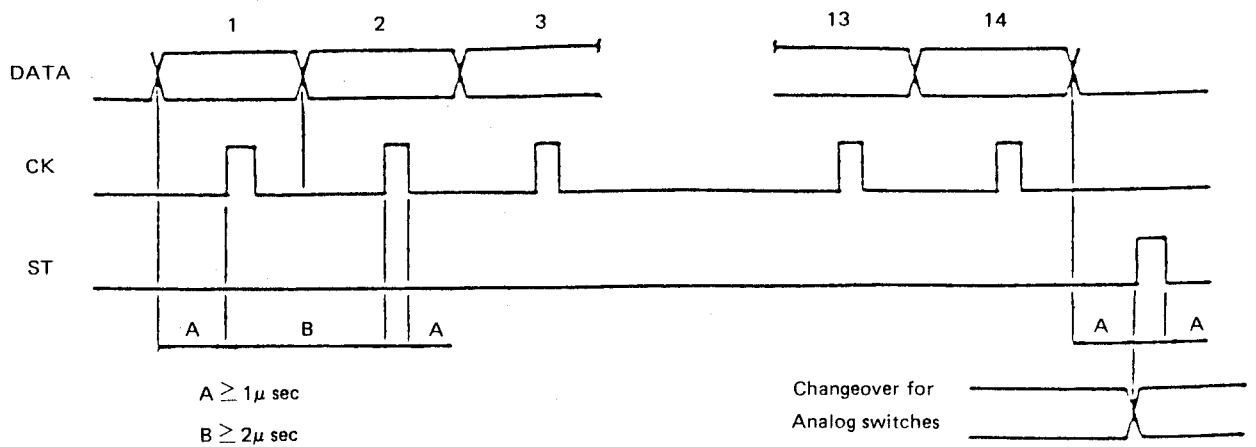
Bits 1~8 corresponds respectively to analog switching elements 1~8 and any switching element can be turned on when the corresponding bit is at a "1" level. (Since TC9162N has seven switching elements, it should always have bit 8 at level "0"). Bits 9 and 10 serves to select right and left channels, respectively. The right on left channel is selected according to which bit 9 or 10 has a level "1". Therefore, the right and left channels can be selected simultaneously ("1", "1") or independently ("1", "0" or "0", "1").

Bits 11~14 are code bits for selecting desired chips. For example, when analog switches TC9162N, TC9163N and TC9164N are used, their DATA, CK and ST terminals are connected together. Anyone of the analog switches are selected according to a combination of levels from the code bits. Combinations of code bits are as follows:

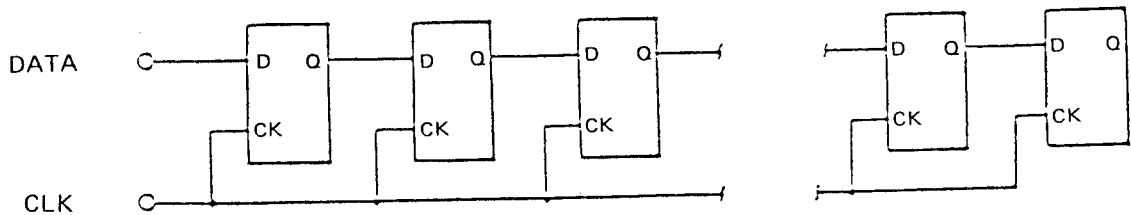
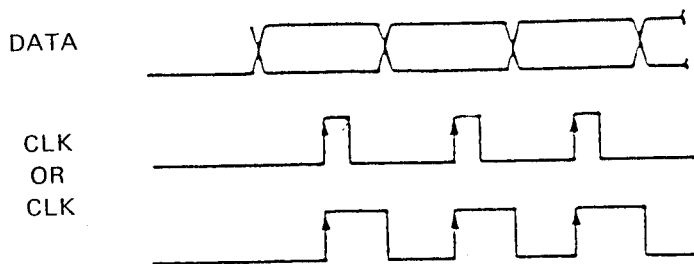
	C ₀	C ₁	C ₂	C ₃
TC9162N	0	0	0	0
TC9163N	1	0	0	0
TC9164N	0	1	0	0

Timing chart for DATA, CK and ST signals.

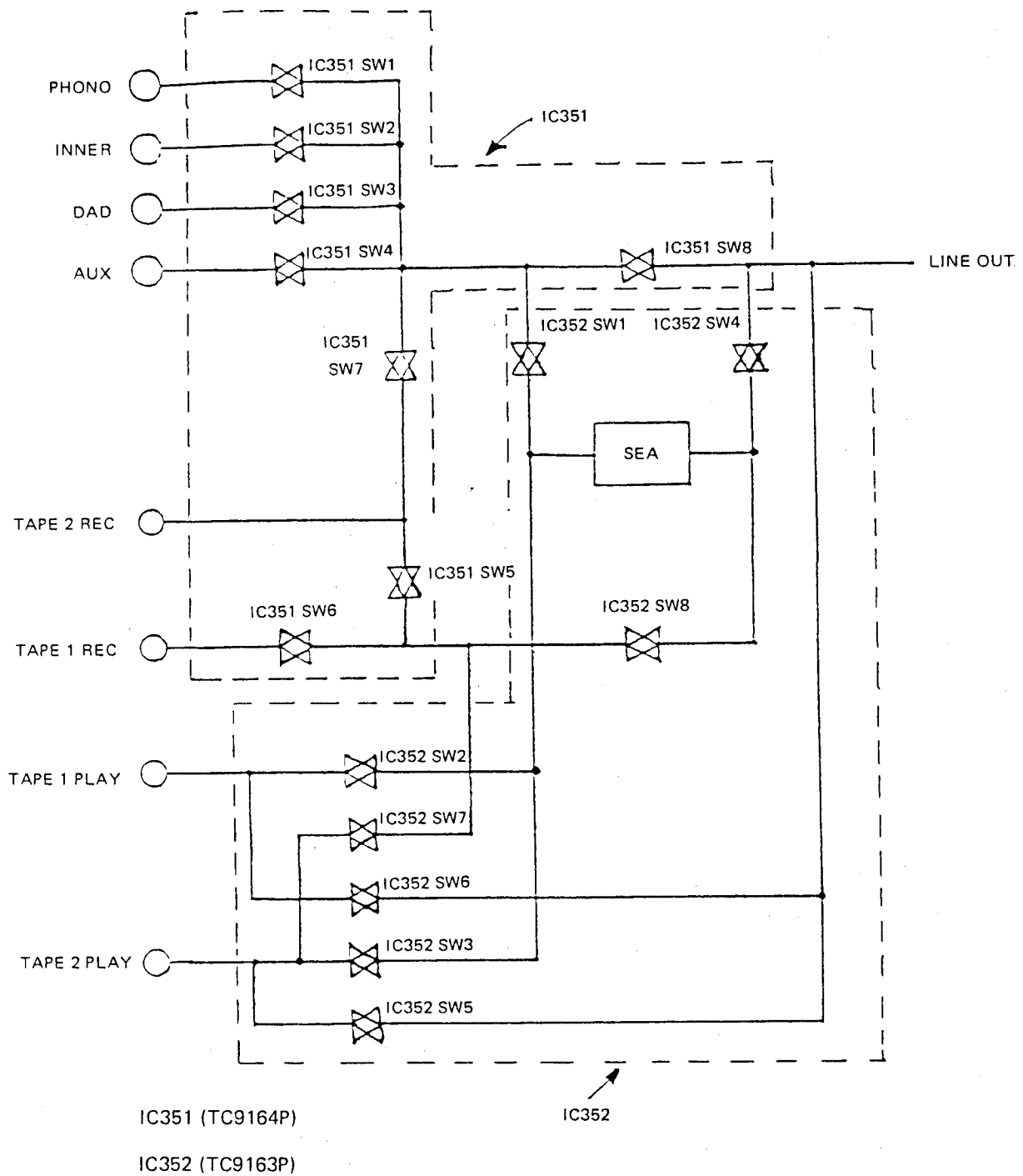
The DATA, CK and ST signals should have such waveforms as shown below, when they are supplied as inputs.

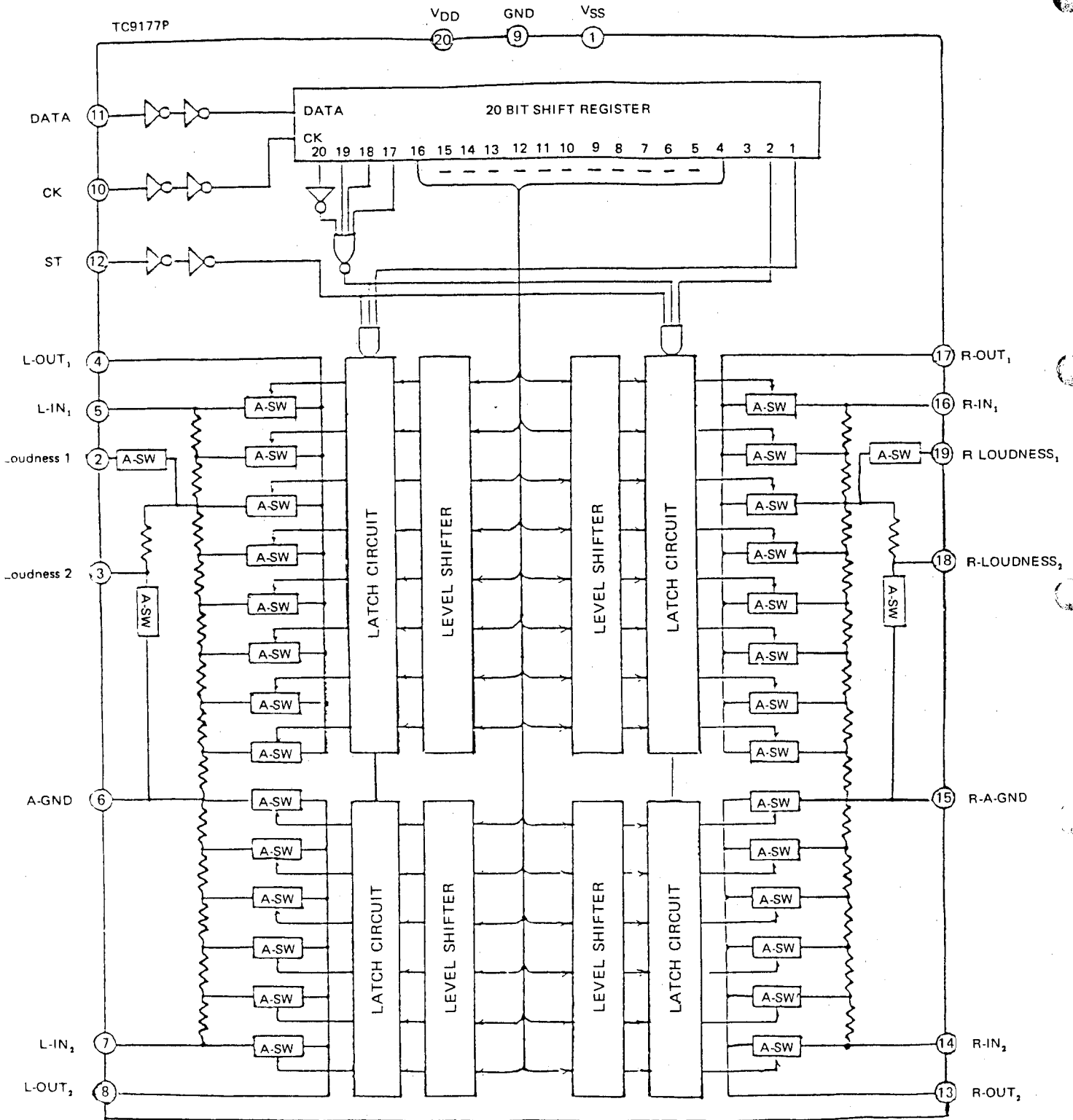


The DATA signal is supplied as an input sequentially to the internal shift registers, simultaneously with the leading edge of the CK signal.



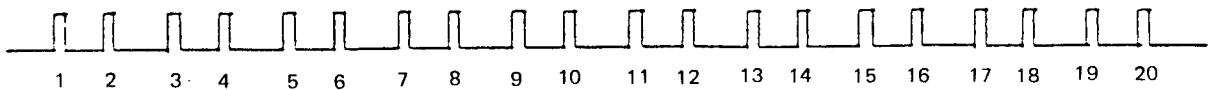
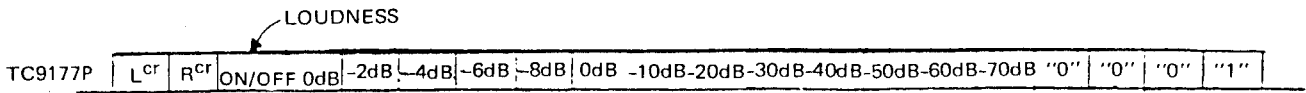
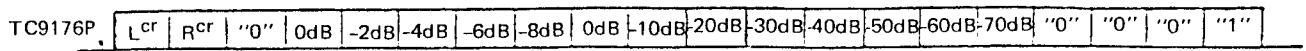
The data supplied as an input is finally transferred from the shift register to the latch circuit in response to the ST signal, so as to renew the old data.





Description of Operation: Determining Attenuation

Integrated circuits TC9176P and TC9177P receive data having arbitrary degree of attenuation as inputs at the DATA, CK and ST terminals. The data consists of 20 bits. The data for TC9176P is slightly different from that for TC9177P. The third bit of the data for TC9176P is always "0" since the circuit TC9176P has no loudness control function.



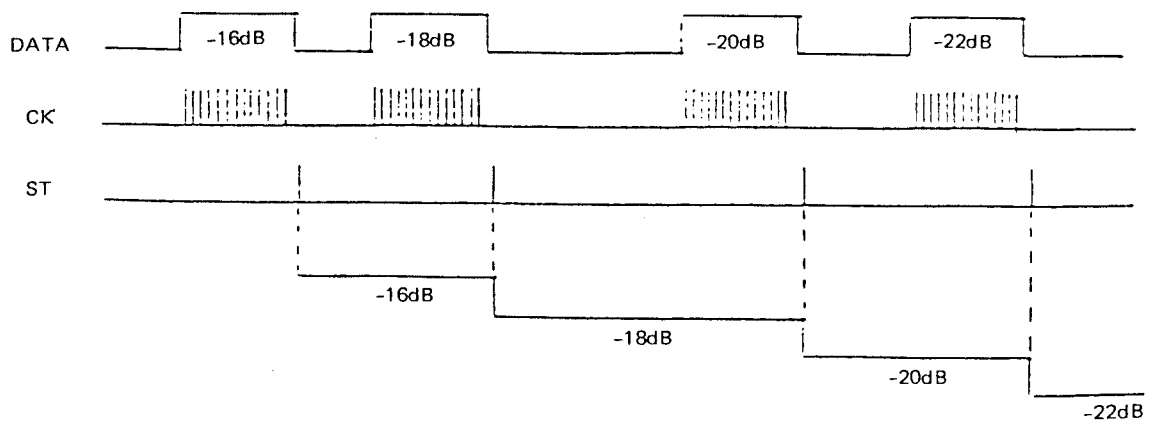
For example, when data (11001000001000000001) is supplied as an input to the DATA terminal in response to the CK signal, the resulting degree of attenuation is -22dB.

The first and second bits of data are used to select the left and right channels (L channel, R channel), respectively. The third bit of TC9177P serves to turn on or off the loudness adjusting circuit, according to its "1" or "0" level, respectively. The third bit of TC9176P is always "0".

The fourth to eighth bits of data are used to determine a 2dB step attenuator, while the ninth to sixteenth bits are used to determine a 10dB step attenuator.

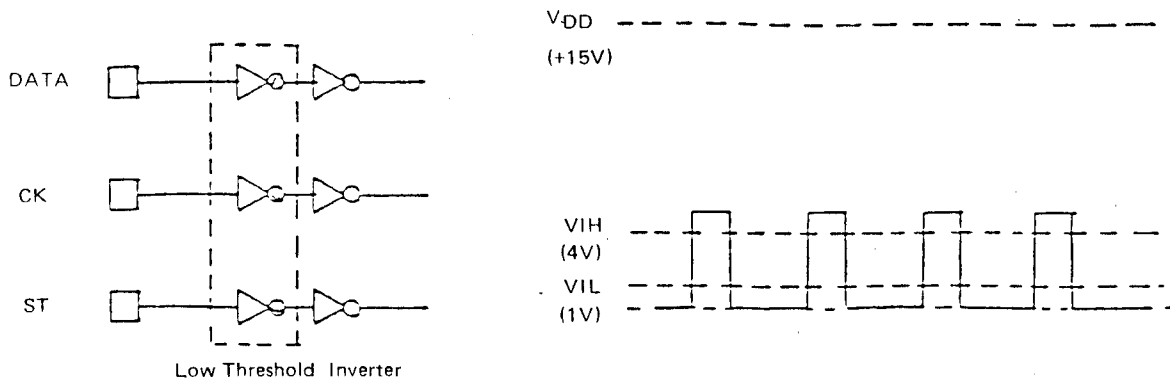
The seventeenth to twentieth bits of data are chip selecting bits. Both TC9176P and TC9177P are selected in response to data (0001) and no other data than (0001) can select them.

Attenuation of infinite degrees is achieved actually by data which is to result in -78dB change in signal level. Therefore, the next step, one step above the infinite level, defines -76dB. Every alteration of stored data takes place in synchronism with the leading edge of the ST signal.

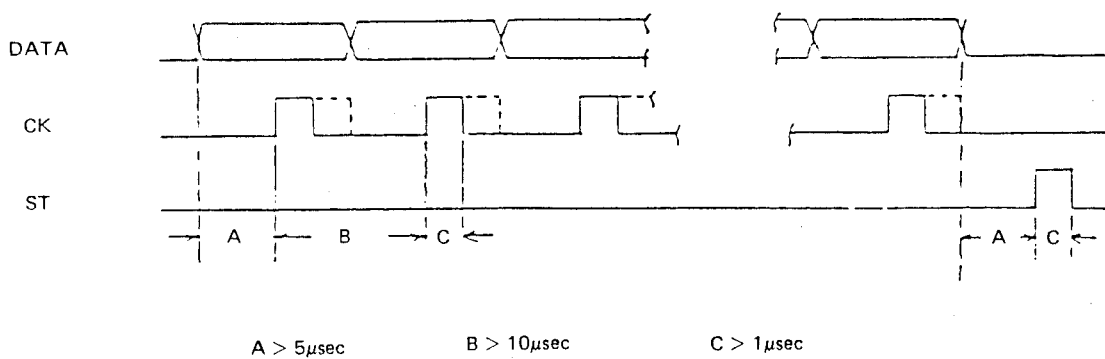


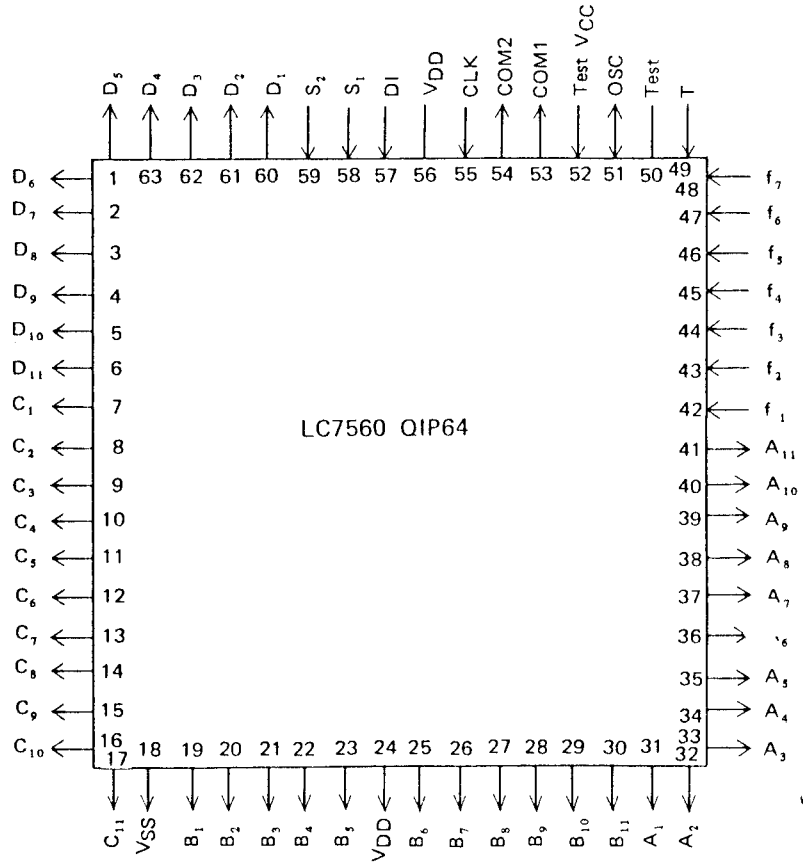
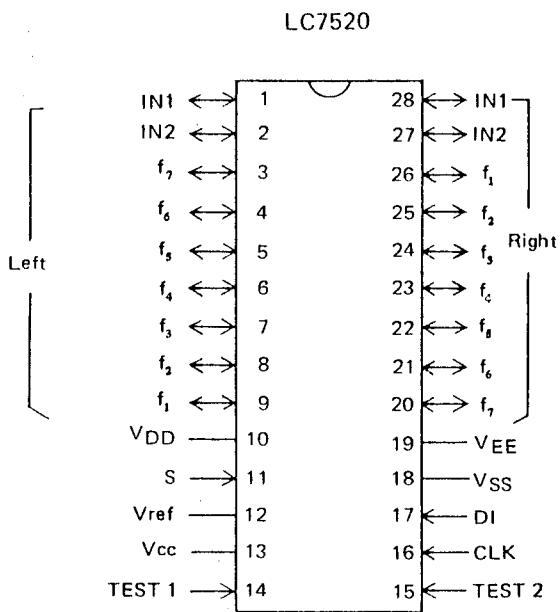
Input of DATA, CK and ST signals

IC's TC9176P and TC9177P are usually energized by both a positive and a negative power source. However, since they include level shifters, they can handle the DATA, CK and ST signals only with the positive power source. In addition to this, input inverters connected respectively with the DATA, CK and ST terminals are so designed as to have low threshold voltage, and therefore they can be operated at a logic level of 5V.



Application of DATA, CK and ST signals as inputs, should be made with the following timing.



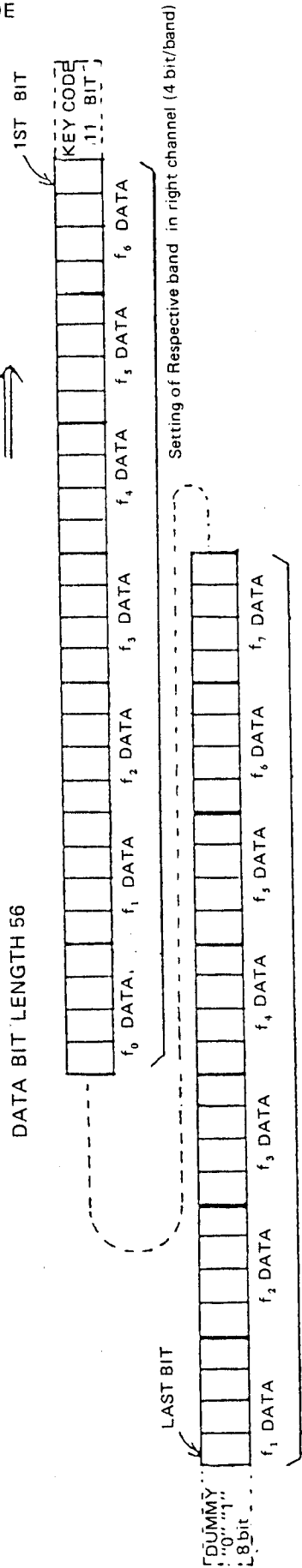


LC7520 DATA CODE

DIRECTION OF DATA TRANSFER



DATA BIT LENGTH 56



Setting of Respective band in left channel (4 bit/band)

LSB	NSB	
1 0 1 0	→	+10dB Setting
0 0 1 0	→	+8dB Setting
1 1 0 0	→	+6dB Setting
0 1 0 0	→	+4dB Setting
1 0 0 0	→	+2dB Setting
0 1 1 0	→	0dB Setting
1 0 0 1	→	-2dB Setting
0 1 0 1	→	-4dB Setting
1 1 0 1	→	-6dB Setting
0 0 1 1	→	-8dB Setting
1 0 1 1	→	-10dB Setting

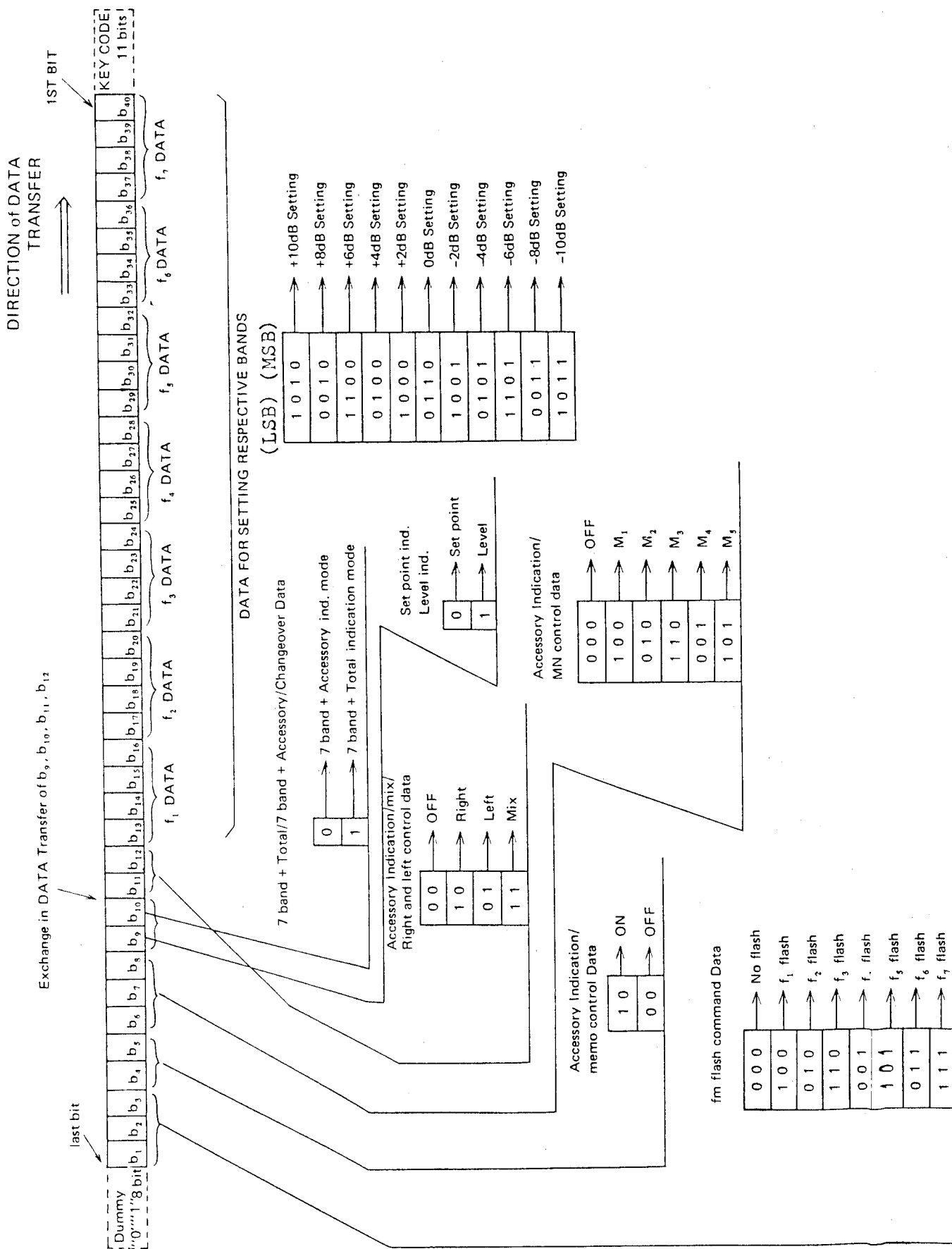


TABLE OF ECS KEY CODE

DEVICE	FUNCTION	S. NO.	DATA LENGTH	Key Code *1								C.S.	NOTE			
				b ₁₁	b ₁₀	b ₉	b ₈	b ₇	b ₆	b ₅	b ₄			b ₃	b ₂	b ₁
				1	1	1	1	1	0	1	1	1	1	1		INITIALIZE
				1	1	1	1	1	0	1	1	1	1	0		
LC7535	VOLUME		NOT DETERMINE	1	1	1	1	1	0	1	1	1	0	1		
				1	1	1	1	1	0	1	1	1	0	0		
				1	1	1	1	1	0	1	1	0	1	1		
				1	1	1	1	1	0	1	1	0	1	0		
				1	1	1	1	1	0	1	1	0	0	1		
				1	1	1	1	1	0	1	0	1	1	1		
				1	1	1	1	1	0	1	0	1	1	0		
				1	1	1	1	1	0	1	0	1	0	1		
				1	1	1	1	1	0	1	0	1	0	0		
LC7830	REMOCON		NOT DETERMINE	1	1	1	1	1	0	1	0	0	1	1		
LC7820	F. SW		NOT DETERMINE	1	1	1	1	1	0	1	0	0	1	0		
				1	1	1	1	1	0	1	0	0	0	1		
LM7000	PLL			1	1	1	1	1	0	1	0	0	0	0		
				1	1	1	1	1	0	0	1	1	1	1		
				1	1	1	1	1	0	0	1	1	1	0		
				1	1	1	1	1	0	0	1	1	0	1		
				1	1	1	1	1	0	0	1	1	0	0		
LC7560	G.EQ DISPLAY	DISP 3 DISP 2 DISP 1 DISP 0	40 bit	1	1	1	1	1	0	0	1	0	1	1	← S ₂ S ₁ ← "1" "1"	
				1	1	1	1	1	0	0	1	0	1	0	← "1" "0"	
				1	1	1	1	1	0	0	1	0	0	1	← "0" "1"	
				1	1	1	1	1	0	0	1	0	0	0	← "0" "0"	
				1	1	1	1	1	0	0	0	1	1	1		
				1	1	1	1	1	0	0	0	1	1	0		
				1	1	1	1	1	0	0	0	1	0	1		
LC7540	TONE		NOT DETERMINE	1	1	1	1	1	0	0	0	1	0	0		
				1	1	1	1	1	0	0	0	0	1	1	S	
LC7520	G. EQ	G.EQ.1 G.EQ.0		1	1	1	1	1	0	0	0	0	1	0	← "1" ← "0"	
				1	1	1	1	1	0	0	0	0	0	1		
				1	1	1	1	1	0	0	0	0	0	0		

*1-b₁₁ should be 1st bit.

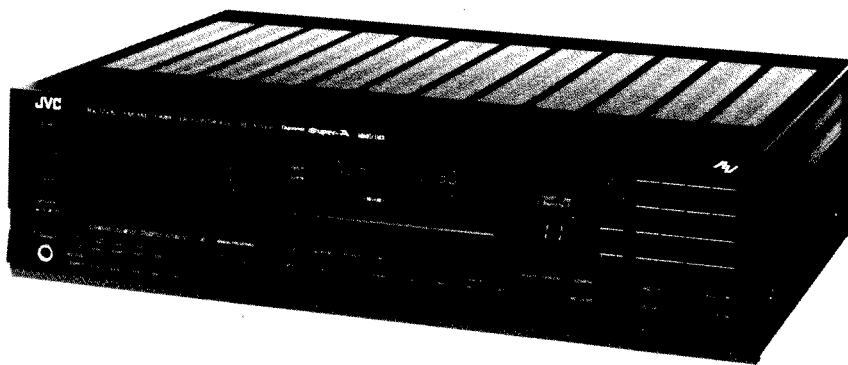
RX-550VBK
RX-550VLBK

JVC

SERVICE MANUAL

COMPUTER CONTROLLED STEREO RECEIVER

MODEL No. **RX-550VBK**
RX-550VLBK



Contents

	Page		Page
Safety Precautions	1-2	Connection Diagram	1-14
Instruction Book		Schematic Diagrams	
Block Diagram	1-3	(1)RX-550VBK Tuner Section	Insertion
Removal Procedures	1-4	(2)RX-550VLBK Tuner Section	Insertion
FM/MW/LW Tuner Alignment Procedures	1-5	(3)Logic Section	Insertion
Power Amplifier Idling Current Adjustment	1-6	(4)Pre-Amplifier Section	Insertion
Function of ICs on the Pre-Amplifier PCB ...	1-6	(5)Power Amplifier Section	Insertion
Internal Block Diagrams of Major LSI ICs	1-7	Parts List	Separate-volume Insertion

No. 2976
Feb. 1987

RX-550VBK
RX-550VLBK

Safety Precautions

1. The design of this product contains special hardware and many circuits and components specially for safety purposes.
For continued protection, no changes should be made to the original design unless authorized in writing by the manufacturer. Replacement parts must be identical to those used in the original circuits. Service should be performed by qualified personnel only.
2. Alterations of the design or circuitry of the product should not be made. Any design alterations or additions will void the manufacturer's warranty and will further relieve the manufacturer of responsibility for personal injury or property damage resulting therefrom.
3. Many electrical and mechanical parts in the product have special safety-related characteristics. These characteristics are often not evident from visual inspection nor can the protection afforded by them necessarily be obtained by using replacement components rated for higher voltage, wattage, etc. Replacement parts which have these special safety characteristics are identified in the Parts List of the Service Manual. Electrical components having such features are identified by shading on the schematics and by (Δ) on the Parts List in the Service Manual. The use of a substitute replacement which does not have the same safety characteristics as the recommended replacement part shown in the Parts List of the Service Manual may create shock, fire, or other hazards.
4. The leads in the products are routed and dressed with ties, clamps, tubings, barriers and the like to be separated from live parts, high temperature parts, moving parts and/or sharp edges for the prevention of electric shock and fire hazard.
When service is required, the original lead routing and dress should be observed, and it should be confirmed they have been returned to normal, after re-assembling.

5. Leakage current check

(Electrical shock hazard testing)

After re-assembling the product, always perform an isolation check on the exposed metal parts of the product (antenna terminals, knobs, metal cabinet, screw heads, headphone jack, control shafts, etc.) to be sure the product is safe to operate without danger of electrical shock.

Do not use a line isolation transformer during this check.

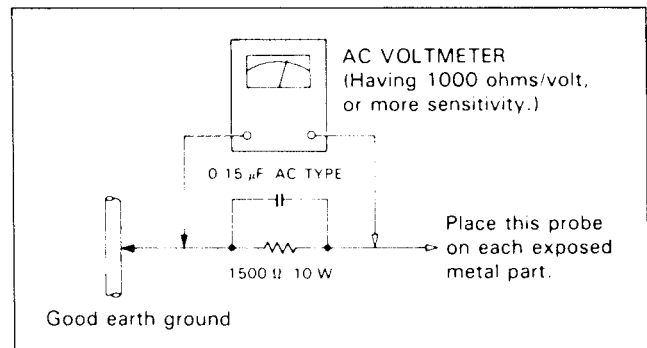
- Plug the AC line cord directly into the AC outlet. Using a "Leakage Current Tester", measure the leakage current from each exposed metal part of the cabinet, particularly any exposed metal part having a return path to the chassis, to a known good earth ground. Any leakage current must not exceed 0.5 mA AC (r.m.s.).

- Alternate check method.

Plug the AC line cord directly into the AC outlet. Use an AC voltmeter having 1,000 ohms per volt or more sensitivity in the following manner. Connect a 1,500 Ω 10 W resistor paralleled by a 0.15 μ F AC-type capacitor between an exposed metal part and a known good earth ground.

Measure the AC voltage across the resistor with the AC voltmeter.

Move the resistor connection to each exposed metal part, particularly any exposed metal part having a return path to the chassis, and measure the AC voltage across the resistor. Now, reverse the plug in the AC outlet and repeat each measurement. Any voltage measured must not exceed 0.75 V AC (r.m.s.). This corresponds to 0.5 mA AC (r.m.s.).



CHECK THE VOLTAGE SELECTOR'S SETTING (Except for U.S.A., Canada, Australia, U.K. and Continental Europe)

Before inserting the power plug, please check that the voltage selector's setting corresponds with the line voltage in your area. If it doesn't be sure to reset the voltage selector before operating this equipment.

The voltage selector may be located on the rear or bottom of the unit, or underneath the platter.

CAUTION : Before setting the voltage selector to the proper voltage, disconnect the power plug.

COMPU LINK

Remote Control System

COMPU LINK REMOTE CONTROL SYSTEM

The COMPU LINK REMOTE CONTROL SYSTEM was developed by JVC. You can not only control each COMPU LINK component from the remote control unit, but also perform the following advanced operations with ease.

Automatic source selection

If the attached remote cable is used to connect this unit to other JVC components with COMPU LINK-1/ SYNCHRO terminals, sources can be switched with just one touch of this unit's source selector buttons and the corresponding component will start to play automatically. The source select button of the remote control unit or the appropriate component's activation button may also be used.

When switching over from one component to another, such as the cassette deck, turntable or CD player, the previous component will stop playing after about five seconds.

Synchronized recording

Synchronized recording refers to the process whereby the cassette deck automatically commences recording, in synchronization with the CD player or turntable.

Set the cassette deck to REC/PAUSE mode according to the procedures in the instruction manual. When synchronously recording the CD player, push the PLAY button on the CD player.

The cassette deck enters the record mode the moment the CD player starts and synchronized recording commences.

Synchronized recording stops automatically when the CD player stops playing.

To cancel synchronized recording, push the STOP button of the CD player, turntable or cassette deck.

Notes:

- When the REC/PAUSE mode is set by pushing PAUSE after depressing the REC and PLAY buttons simultaneously, synchronized recording is not possible. For details, refer to your cassette deck's instruction manual.
- Abnormal operation will result if the power supply of one of the components is interrupted during synchronized recording. If this happens, push the activation button again to restart.
- Ensure that the COMPU LINK-1/SYNCHRO terminal of each component is connected with the attached remote cable. Be sure to read the instruction manual for each component very carefully.
- The source is locked to CD or PHONO position during synchronized recording to avoid accidental stops or changing to another source. To change the source, first cancel the synchronized recording.

COMPU LINK-FERNBEDIENSYSTEM

Das COMPU LINK-FERNBEDIENSYSTEM ist eine JVC-Entwicklung. Per Fernbedienung können nicht nur alle COMPU LINK-Komponenten gesteuert, sondern auch die folgenden Komfortfunktionen geregelt werden.

Automatische Signalquellenwahl

Wenn dieses Gerät mit dem mitgelieferten Fernbedienkabel an andere, mit COMPU LINK-1/ SYNCHRO-Buchsen ausgestattete JVC Komponenten angeschlossen wird, können diese Komponenten mit nur einem Druck der erforderlichen Signalquellentaste an diesem Gerät auf Wiedergabestart geschaltet werden. Signalquellentasten an der Fernbedienung und die entsprechende Funktionstaste an der jeweiligen Komponente können gleichfalls verwendet werden.

Bei Umschaltung von einer Komponente zur anderen, z.B. Kassettendeck, Plattenspieler oder CD-Player stoppt die Wiedergabe des vorherigen Geräts nach ca. 5 Sekunden.

Synchro-Aufnahme

Synchro-Aufnahme bedeutet simultaner automatischer Aufnahmestart des Kassettendecks bei Wiedergabestart von Plattenspieler oder CD-Player. Das Kassettendeck entsprechend den Angaben in der Bedienungsanleitung auf Aufnahmepause schalten.

Bei Synchro-Aufnahme vom CD-Player dessen PLAY-Taste betätigen.

Das Kassettendeck schaltet bei CD-Wiedergabestart automatisch auf Aufnahme, die Synchro-Aufnahme startet.

Die Synchro-Aufnahme stoppt automatisch bei Wiedergabeende des CD-Players.

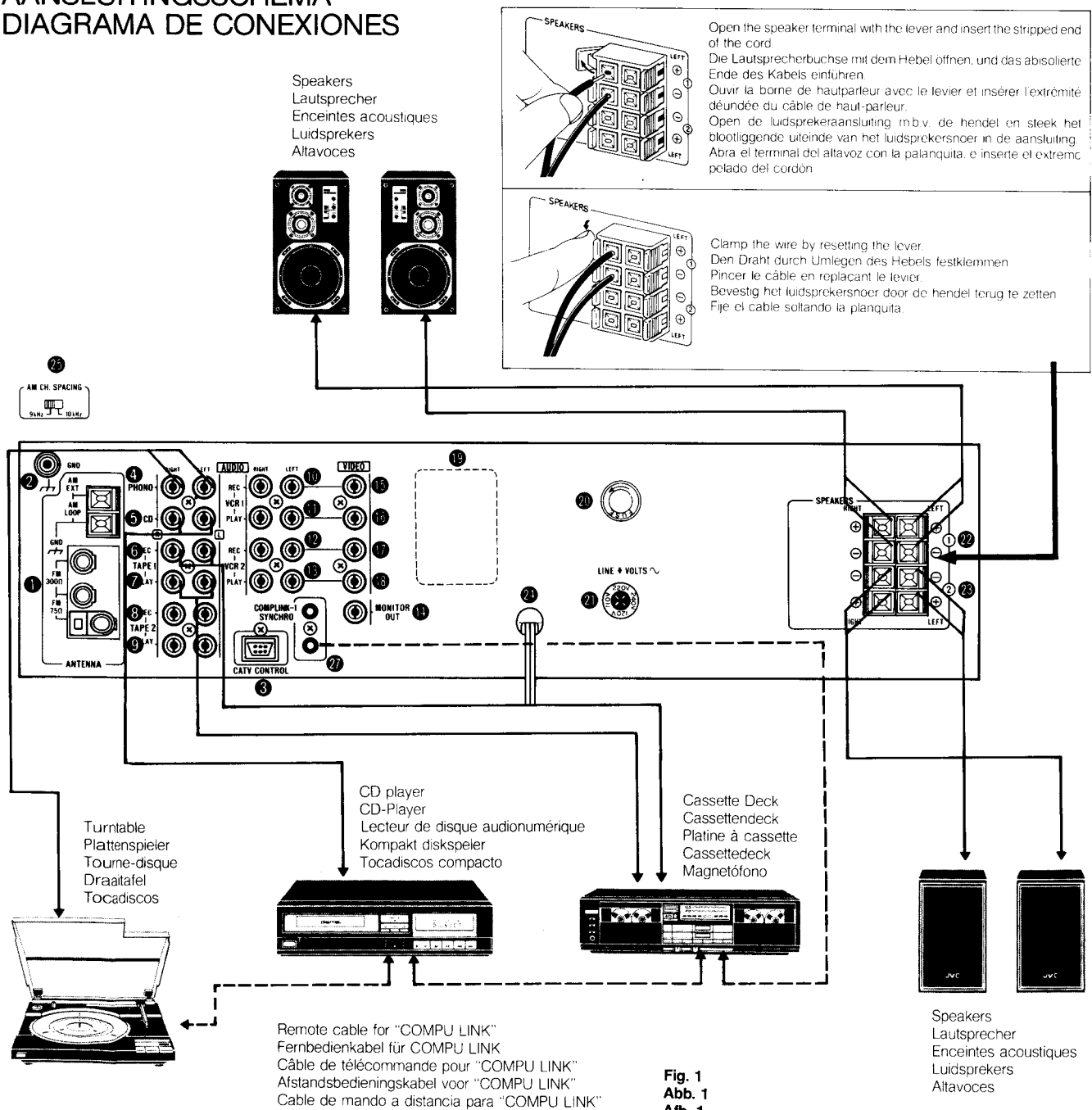
Zur Abschaltung der Synchro-Aufnahme die STOP-Taste von CD-Player, Plattenspieler oder Kassettendeck betätigen.

Hinweise:

- Wenn zur Umschaltung auf Aufnahmepause die PAUSE-Taste nach gleichzeitigem Drücken von REC- und PLAY-Taste betätigt wird, ist keine Synchro-Aufnahme durchführbar. Detaillierte Angaben hierzu siehe die Bedienungsanleitung des Kassettendecks.
- Wird die Spannungsversorgung einer Komponente bei Synchro-Aufnahme unterbrochen, treten Betriebsstörungen auf. In diesem Fall zum erneuten Start die Funktionstaste betätigen.
- Sicherstellen, daß die COMPU LINK-1/ SYNCHRO-Buchse jeder Komponente über das mitgelieferte Fernbedienkabel angeschlossen ist. Die Angaben der jeweiligen Komponenten-Bedienungsanleitung sorgfältig beachten.
- Bei Synchro-Aufnahme ist die Signalquelle in Position CD oder PHONO arretiert, um unbeabsichtigte Unterbrechungen oder Umschaltung auf andere Signalquellen zu verhindern. Zur Signalquellenumschaltung zunächst die Synchro-Aufnahmefunktion abschalten.

RX-550VBK
RX-550VLBK

CONNECTION DIAGRAM
ANSCHLUSSDIAGRAMM
DIAGRAMME DES RACCORDEMENTS
AANSLUITINGSSCHEMA
DIAGRAMA DE CONEXIONES



- 1 External ANTENNA terminals
- 2 GND terminal
- 3 CATV CONTROL terminal**
Connect the optional CATV antenna control unit.
To connect, refer to the instruction book of the CATV antenna control unit.

- 1 Antennenanschlüsse (ANTENNA)
- 2 Erdungsanschluß (GND)
- 3 Gemeinschaftsantennen-Steuerungsanschluß (CATV CONTROL)**
Die Gemeinschaftsantennen-Steuerungseinheit (Sonderzubehör) anschließen. Zum Anschließen siehe die Bedienungsanleitung der CATV-Antennen-Steuerungseinheit.

RX-550VBK
RX-550VLBK

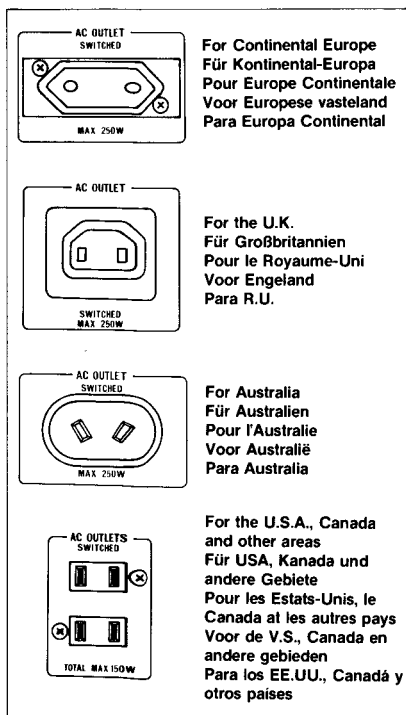


Fig. 4
Abb. 4
Afb. 4

AUDIOFor audio signal connection

- 4 PHONO terminals
- 5 CD terminals
- 6 TAPE 1 REC terminals
- 7 TAPE 1 PLAY terminals
- 8 TAPE 2 REC terminals
- 9 TAPE 2 PLAY terminals
- 10 VCR 1 REC terminals
- 11 VCR 1 PLAY terminals
- 12 VCR 2 REC terminals
- 13 VCR 2 PLAY terminals

Note:

- These VCR 1 and VCR 2 terminals can also be used to receive audio signals from audio equipment.

VIDEOFor video signal connection

- 14 MONITOR OUT terminal
Connect the VIDEO MONITOR OUT terminal to an AV TV with a TV OUTPUT terminal or a television provided with a video input terminal, to reproduce video signals.
- 15 VCR 1 REC terminal
Connect VCR video in terminal
- 16 VCR 1 PLAY terminal
Connect any of several JVC-specified TVs, an AV TV with a LINE OUT terminal or VCR video out terminal.
- 17 VCR 2 REC terminal
- 18 VCR 2 PLAY terminal

GENERAL

- 19 AC OUTLETS (SWITCHED) (Fig. 4)
- 20 Fuse holder***
- 21 Voltage selector****

When this equipment is used in an area where the supply voltage is different from the preset voltage, reset the voltage selector to the correct position.

- 22 SPEAKERS 1 terminals
- 23 SPEAKERS 2 terminals
- 24 Power cord

AUDIOFür Audio-Signalanschluß

- 4 Plattenspieler-Anschlüsse (PHONO)
- 5 CD-Spieler-Anschlüsse (CD)
- 6 Tonband-1-Aufnahmeanschlüsse (TAPE 1 REC)
- 7 Tonband-1-Wiedergabeanschlüsse (TAPE 1 PLAY)
- 8 Tonband-2-Aufnahmeanschlüsse (TAPE 2 REC)
- 9 Tonband-2-Wiedergabeanschlüsse (TAPE 2 PLAY)
- 10 VCR 1 REC-Anschlüsse (VCR 1 REC)
- 11 VCR 1 PLAY-Anschlüsse (VCR 1 PLAY)
- 12 Videokassettenrekorder-Aufnahmeanschlüsse (VCR 2 REC)
- 13 Videokassettenrekorder-Wiedergabeanschlüsse (VCR 2 PLAY)

Hinweis:

- Diese VCR 1- und VCR 2-Anschlüsse können auch zum Empfang von Audiosignalen von Audiogeräten verwendet werden.

VIDEOFür Videosignalverbindung

- 14 Monitorausgang (MONITOR OUT)
Ausgang VIDEO MONITOR mit der TV-Ausgangsbuchse eines AV-TV-Geräts, bzw. mit dem Videoeingang eines TV-Geräts verbinden, um Videosignale zu zeigen.
- 15 Buchse VCR 1 REC
An VIDEO-Eingangsbuchse des Videorecorders anschließen.
- 16 Video 1-Buchsen (VIDEO 1)
Mit dem Line-Ausgang eines JVC TV-Geräts oder AV-TV-Geräts verbinden oder einem Videogerät mit VIDEO OUT-Buchse.
- 17 Videokassettenrekorder-Aufnahmeanschluß (VCR 2 REC)
- 18 Videokassettenrekorder-Wiedergabeanschluß (VCR 2 PLAY)

ALLGEMEIN

- 19 Beschaltete Netzausgänge (SWITCHED AC OUTLETS) (Abb. 4)
- 20 Sicherungshalter***
- 21 Spannungswähler****
Wenn die zu verwendende Netzspannung von der voreingestellten Betriebsspannung dieses Geräts abweicht, mit dem Spannungswähler die erforderliche Spannung einstellen.
- 22 Lautsprecher-1-Anschlüsse (SPEAKERS 1)
- 23 Lautsprecher-2-Anschlüsse (SPEAKERS 2)
- 24 Netzkabel

Example
Beispiel
Exemple
Voorbeeld
Ejemplo

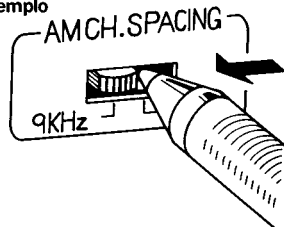


Fig. 5
Abb. 5
Afb. 5

Switch over using the tip of a ball-point pen as shown in Fig. 5.

Verwenden Sie zum Umschalten die Spitze eines Kugelschreibers, wie in Abb. 5 gezeigt.

Changer à l'aide d'un stylo-bille comme indiqué dans la Fig. 5.

Schakel m.b.v. een balpen over, zoals de afbeelding 5 laat zien.

Conmute usando la punta de un bolígrafo de la manera que se ve en la Fig. 5.

② AM channel spacing switch****

The AM channel spacing switch on the rear panel allows selection of 9 kHz or 10 kHz steps, depending on your area.

Area	Band	FM	AM (MW)	AM (LW)
U.S.A., Canada		100kHz	10kHz	—
Continental Europe, U.K.		50kHz	9kHz	1kHz
Continental Europe, Australia		50kHz	9kHz	—
Other areas		50kHz	9kHz* 10kHz	—

Note: *Preset at the factory.

②⑨ AM loop antenna

②⑩ COMPU LINK-1/SYNCHRO terminals

Connect to units provided with a COMPU LINK-1/SYNCHRO terminal to let the COMPU LINK control system function.

Notes:

1. When connecting the components, make the correct left and right channel connections. Reversed channels may degrade the stereo effect.
2. Connect speakers with correct polarity: (+) to (+) and (-) to (-). Reversed polarity may degrade the stereo effect.
3. Switch the power off when connecting any component.
4. Connect plugs or wires firmly. Poor contact may result in hum.
5. Use speakers with an impedance of 8 ohms or more (16 ohms when the 1 + 2 position is used). Speakers with an impedance down to 4 ohms (8 ohms when the 1 + 2 position is used) may be used, in which case the temperature rise of the cabinet may not satisfy BS 415 or IEC 65. Be sure to provide good ventilation, especially when speakers with an impedance of 4 ohms (8 ohms when the 1 + 2 position is used) are used.
6. The AC outlets provide no power when the power is turned off. Do not connect equipment requiring more than the outlet's specified value.
7. Keep the connection cords as far as possible from the TV.

** Provided only on units for the U.S.A. and Canada.

*** Not provided on units for the U.S.A., Canada, the U.K., and Australia.

**** Not provided on units for the U.S.A., Canada, Continental Europe, the U.K., and Australia.

②⑪ MW-Kanalabstandtaste****

Mit der MW-Kanalabstandtaste kann entsprechend dem Empfangsgebiet der kanalabstand auf 9 kHz oder 10 kHz eingestellt werden.

Wellenbereich Empfangsgebiet	UKW	MW	LW
USA, Kanada	100kHz	10kHz	—
Kontinental-Europa, Großbritannien	50kHz	9kHz	1kHz
Kontinental-Europa, Australien	50kHz	9kHz	—
Andere Gebiete	50kHz	9kHz* 10kHz	—

Hinweis: *Ab Werk voreingestellt.

②⑫ MW-Rahmenantenne

②⑬ Synchro-Buchsen (COMPU LINK-1/SYNCHRO)

Mit dem COMPU LINK-1/SYNCHRO-Anschluß anderer Komponenten verbinden, um das COMPU LINK-System verwenden zu können.

Hinweise:

1. Beim Anschließen anderer Geräte auf die richtige Zuordnung des linken und rechten Kanals achten. Vertauschte Kanäle vermindern den Stereoeffekt.
2. Die Lautsprecher mit richtiger Polarität anschließen: (+) an (+) und (-) an (-). Vertauschte Polarität kann den Stereoeffekt vermindern.
3. Vor dem Anschließen anderer Geräte die Spannungsversorgung ausschalten.
4. Die Stecker und Kabel fest anschließen. Schlechter Kontakt kann zu Störgeräuschen führen.
5. Lautsprecher mit einer Impedanz von 8 Ohm oder mehr verwenden (16 Ohm, wenn die Position 1 + 2 verwendet wird). Lautsprecher mit einer Impedanz bis hinunter zu 4 Ohm (8 Ohm, wenn die Position 1 + 2 verwendet wird) können verwendet werden, dann entspricht der Temperaturanstieg des Gehäuses eventuell nicht der BS 415 oder IEC 65. Für eine gute Belüftung sorgen, vor allem wenn Lautsprecher mit einer Impedanz von 4 Ohm (8 Ohm, wenn die Position 1 + 2 verwendet wird) verwendet werden.
6. Bei abgeschalteter Spannungsversorgung sind die Netzausgänge ebenfalls abgeschaltet. Keine Geräte anschließen, die die Ausgangsnennleistung überschreiten.
7. Die Anschlußkabel so weit wie möglich vom Fernseher entfernt verlegen.

** Vorhanden nur bei Geräten für die USA und Kanada.

*** Nicht vorhanden bei Geräten für die USA, Kanada, Großbritannien und Australien.

**** Nicht vorhanden bei Geräten für die USA, Kanada, Kontinental-Europa, Großbritannien und Australien.

RX-550VBK
RX-550VLBK

ANTENNAS ANTENNAS ANTENNAS ANTENNAS ANTENNAS

Use of CATV cable
Verwendung des Kabel-TV-Kabels
Utilisation d'un câble CATV
Gebui van de CATV-Kabel
Uso del cable CATV

Used along with CATV antenna control unit

(Refer to the instruction book of CATV antenna control unit)

Verwendung mit einer Kabel-TV-Antennensteuereinheit

(Siehe Bedienungsanleitung der Antennensteuereinheit)

Utilisées avec un boîtier de commande d'antenne CATV

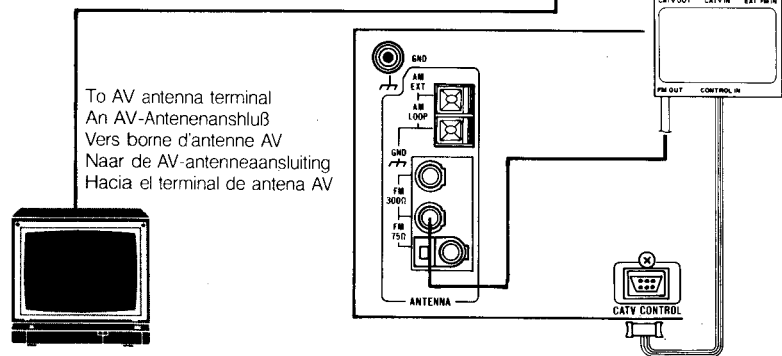
(Se reporter au manuel d'instructions du boîtier de commande d'antenne CATV)

Wordt samen met een CATV-antenneregeleenheid gebruikt

(Zie tevens de gebruiksaanwijzing van de CATV-antenneregeleenheid)

Se utilizan junto con la unidad de control de antena CATV

(Refiérase al manual de instrucciones de la unidad de control de antena CATV)



Using-F-type connector
Verwendung eines F-Anschlusses
Utilisant un connecteur de type F
Bij gebruik van de F-type aansluiting
Uso del conector tipo F

Fig. 6
Abb. 6
Afb. 6

F-type converter plug (attached to CATV antenna control unit)

- When using the FM antenna, attach to this apparatus.

F-Steckeradapter (zur Kabel-TV-Antennensteuereinheit befestigt)

- Für UKW-Antenne diesen Adapter verwenden.

Fiche de conversion type F (fixée au boîtier de commande d'antenne CATV)

- En utilisant l'antenne FM, fixer à cet appareil.

F-type konversiestekker (bevestigd aan de CATV-antenneregeleenheid)

- Op dit apparaat aansluiten wanneer de FM-antenne gebruikt wordt.

Clavija convertidora tipo F (fijada a la unidad de control de antena CATV)

- Cuando utilice la antena de FM, fijela a esta aparato.

To AV antenna terminal
An AV-Antennenanschluß
Vers borne d'antenne AV
Naar de AV-antenneaansluiting
Hacia el terminal de antena AV

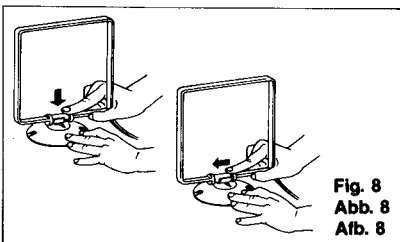


Fig. 8
Abb. 8
Afb. 8

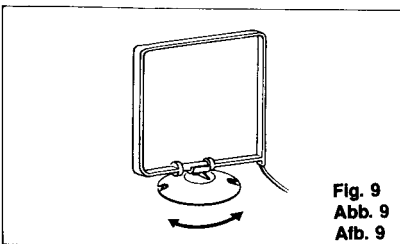


Fig. 9
Abb. 9
Afb. 9

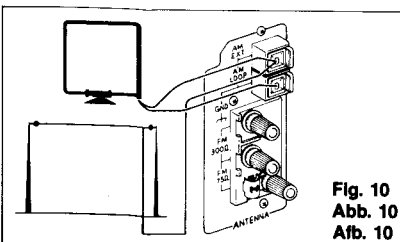


Fig. 10
Abb. 10
Afb. 10

AM antennas (Fig. 8, 9)

- How to assemble the AM loop antenna (Fig. 8)
Snap the loop antenna onto the stand, then slide it as shown until firmly held in place.
- When too much noise occurs (Fig. 9)
Change the direction of the loop antenna or reinstall it in a position that gives best reception.
- AM external antenna (Fig. 10)
If AM reception is not good, connect an external AM antenna (single-wire antenna) to the AM-ANTENNA terminal.

Notes:

- If the provided loop antenna is not set up and its wires attached, or the antenna wires touch the rear panel, it will be impossible to receive AM broadcasts.
- When installing an AM external antenna, leave the AM loop antenna connected.
- If the AM loop antenna is too close to the speaker terminals, it may cause noise and should be moved away from the rear panel.

FM antennas

- 75-ohm antenna with coaxial lead (Fig. 11)
Loosen the screws on the bracket and insert the cable into the ring from below. Then connect the stripped core to the upper terminal. The bracket ring works as the ground terminal.
- Feed antenna (Fig. 12)
Connect to the 300-ohm terminal.
Take care that the wires of the feeder antenna do not touch any other terminal.

For W. Germany (Fig. 13)

- The FM wire antenna provided can be connected to the 75-ohm coaxial jack temporarily.
- 75-ohm antenna with coaxial type connector (DIN 45 332)
Connect to the 75-ohm terminal.

AM-Antennen (Abb. 8, 9)

- Anbringung der AM-Rahmenantenne (Abb. 8)
Die Rahmenantenne am Halter festdrücken und dann wie gezeigt verschieben, um sicheren Sitz zu gewährleisten.
- Wenn zu viele Störgeräusche empfangen werden (Abb. 9)
Die Richtung der Rahmenantenne verändern oder in einer Position anbringen, die einen besseren Empfang ergibt.
- MW-Außenantenne (Abb. 10)
Wenn der MW-Empfang nicht gut ist, eine MW-Außenantenne (Einzeldrahtantenne) an den AM-ANTENNA-Anschluß anschließen.

Hinweise:

- Wenn die mitgelieferte Rahmenantenne nicht angebracht und angeschlossen ist oder die Antennendrähte die Rückplatte berühren, ist MW-Empfang nicht möglich.
- Die MW-Rahmenantenne muß auch angeschlossen bleiben, wenn eine MW-Außenantenne angeschlossen wird.
- Wenn die MW-Rahmenantenne sich zu nahe an den Lautsprecheranschlüssen befindet, können Störgeräusche auftreten. Daher die Rahmenantenne möglichst weit von der Rückplatte entfernt anbringen.

UKW-Antennen

- 75-Ohm-Antenne mit Koaxialkabel (Abb. 11)
Die Schrauben an der Halterung lösen und das Kabel von unten in den Ring einführen. Dann den abisolierten Innenleiter an die obere Klemme anschließen. Der Halterungsring dient als Erdungsklemme.
- Speiseantenne (Abb. 12)
An die 300-Ohm-Klemme anschließen.
Darauf achten, daß die Kabel der Speiseantenne die anderen Anschlüsse nicht berühren.

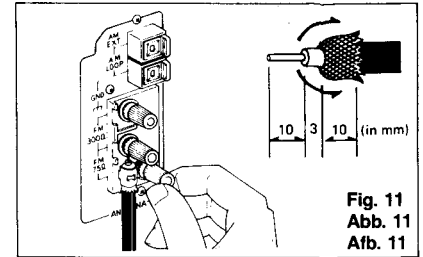
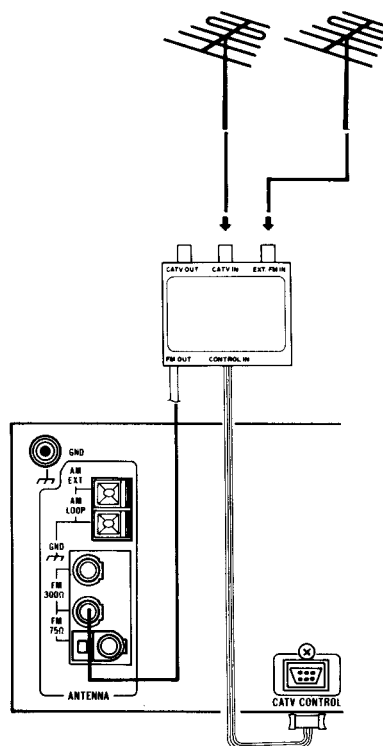
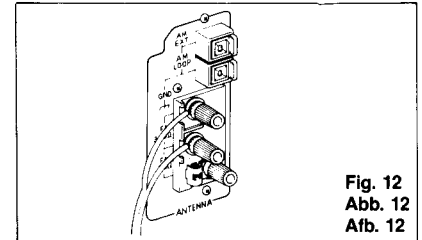
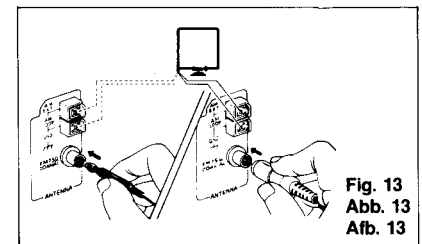
Für BRD (Abb. 13)

- Die mitgelieferte UKW-Drahtantenne kann zeitweilig an die 75-Ohm-Koaxialbuchse angeschlossen werden.
- 75-Ohm-Antenne mit Koaxialstecker (DIN 45 332)
An den 75-Ohm-Anschluß anschließen.

RX-550VBK
RX-550VLBK

**When using 2 FM antennas
Verwendung von 2 UKW-Antennen
Utilisation de 2 antennes FM
Bij gebruik van 2 FM-antennes
Cuando utilice 2 antenas de FM**

- CATV antenna control unit can also be used as a switching unit for 2 FM antennas.
- Die Kabel-TV-Antennensteuereinheit kann auch als Umschalter für 2 UKW-Antennen verwendet werden.
- Le boîtier de commande d'antenne CATV peut aussi être utilisé comme un commutateur pour 2 antennes FM.
- De CATV-antenneregeleenheid kan ook gebruikt worden als een schakeleenheid tussen twee FM-antennes.
- También puede utilizarse la unidad de control de antena CATV como unidad de conmutación para 2 antenas de FM.

Fig. 7
Abb. 7
Afb. 7Fig. 11
Abb. 11
Afb. 11Fig. 12
Abb. 12
Afb. 12Fig. 13
Abb. 13
Afb. 13

Antennes AM (Fig. 8, 9)

- Montage de l'antenne à boucle AM (Fig. 8)
Dresser l'antenne à boucle sur le support, puis la glisser comme montré jusqu'à ce qu'elle tienne bien en place.
- Si trop de bruit est produit (Fig. 9)
Changer la direction de l'antenne à boucle ou la réinstaller dans une position où la réception est meilleure.
- Antenne AM externe (Fig. 10)
Si la réception AM n'est pas bonne, raccorder une antenne AM externe (antenne à fil simple) à la borne AM ANTENNA.

Remarques:

- Si l'antenne à boucle fournie n'est pas en place et que ses fils sont fixés ou que les fils d'antenne touchent le panneau arrière, il sera impossible de recevoir les émissions AM.
- Lors de l'installation d'une antenne AM externe, laisser l'antenne à boucle AM raccordée.
- Si l'antenne à boucle AM est trop près des bornes de haut-parleurs, il y a risque de bruit et elle doit être éloignée du panneau arrière.

Antennes FM

- Antenne de 75 ohms avec conducteur co-axial (Fig. 11)
Desserer les vis sur le collier et insérer le câble dans la bague depuis le dessous. Raccorder ensuite le fil dénudé sur la borne supérieure. La bague du collier sert de borne de mise à la terre.
- Antenne à câble plat (Fig. 12)
La raccorder à la borne de 300 ohms.
Attention à ce que les fils de l'antenne à câble.

Pour l'Allemagne de l'Ouest (Fig. 13)

- L'antenne à câble FM fournie peut être raccordée temporairement à la prise co-axiale de 75 ohms.
- Antenne de 75 ohms avec prise de type co-axial (DIN 45 332)
La raccorder à la borne de 75 ohms.

AM-antenne's (Afb. 8, 9)

- Monteren van de AM-raamantenne (Afb. 8)
Klik de raamantenne op de standaard en schuif hem daarna zoals dit wordt aangegeven, totdat de antenne stevig op zij plaats vastgehouden wordt.
- Wanneer overmatige storing optreedt (Afb. 9)
De antenne bijstellen of verplaatsen naar een positie waar ontvangst het best is.
- Am-buitenantenne (Afb. 10)
Sluit een AM-buitenantenne (enkeldraads-antenne) aan op de AM ANTENNA aansluiting wanneer de AM-ontvangst niet voldoende is.

Opmerkingen:

- Het is onmogelijk AM-uitzendingen te ontvangen, wanneer de bijgeleverde AM-raamantenne niet aangesloten en opgesteld is of wanneer de antennedraden het achterpaneel aanraken.
- Laat tevens de AM-raamantenne aangesloten bij aansluiting van een AM-buitenantenne.
- Als de AM-raamantenne zich te dicht bij de luidsprekeraansluitingen bevindt, kan deze ruis veroorzaken en dient dan uit de buurt van het achterpaneel geplaatst te worden.

FM-antenne's

- 75 Ohm antenne met coaxiale draad (Afb. 11)
Draao de schroeven op de beugel los en steek de kabel van onderen in de ring. Verbind dan de ontblootte kerndraad met de bovenste aansluiting. De beugelring funktioneert als aardaansluiting.
- Voedingsantenne (Afb. 12)
Sluit deze aan op de 300 Ohm aansluiting.
Zorg ervoor dat de draden van de voedingsantenne de andere aansluiting niet aanraakt.

Voor Westduitsland (Afb. 13)

- De meegeleverde FM-draadantenne kan tijdelijk aangesloten worden op de coaxiale aansluiting van 75 Ohm.
- FM-antenne van 75 Ohm met coaxiale aansluiting (DIN 45332)
Aansluiten op de 75 Ohm aansluiting.

Antenas de AM (Fig. 8 y 9)

- Cómo montar la antena de cuadro de AM (Fig. 8)
Coloque la antena en el soporte y deslicela como se ilustra hasta que quede firmemente fijada en su lugar.
- Cuando hay demasiado ruido (Fig. 9)
Cambie la dirección de la antena o instálela nuevamente en una posición que permita la mejor recepción.
- Antena externa AM (Fig. 10)
Si la recepción de AM no es buena conecte una antena externa de AM (antena monofilar) al terminal AM ANTENNA.

Notas:

- Si la antena de cuadro provista no está instalada o los cables de la misma tocan el panel trasero, será imposible captar radiodifusiones en AM.
- Cuando instale una antena externa, deje conectada la antena de cuadro de AM.
- Si la antena de cuadro AM está demasiado cerca a los terminales del altavoz, puede producirse ruido y se la deberá alejar del panel trasero.

Antenas FM

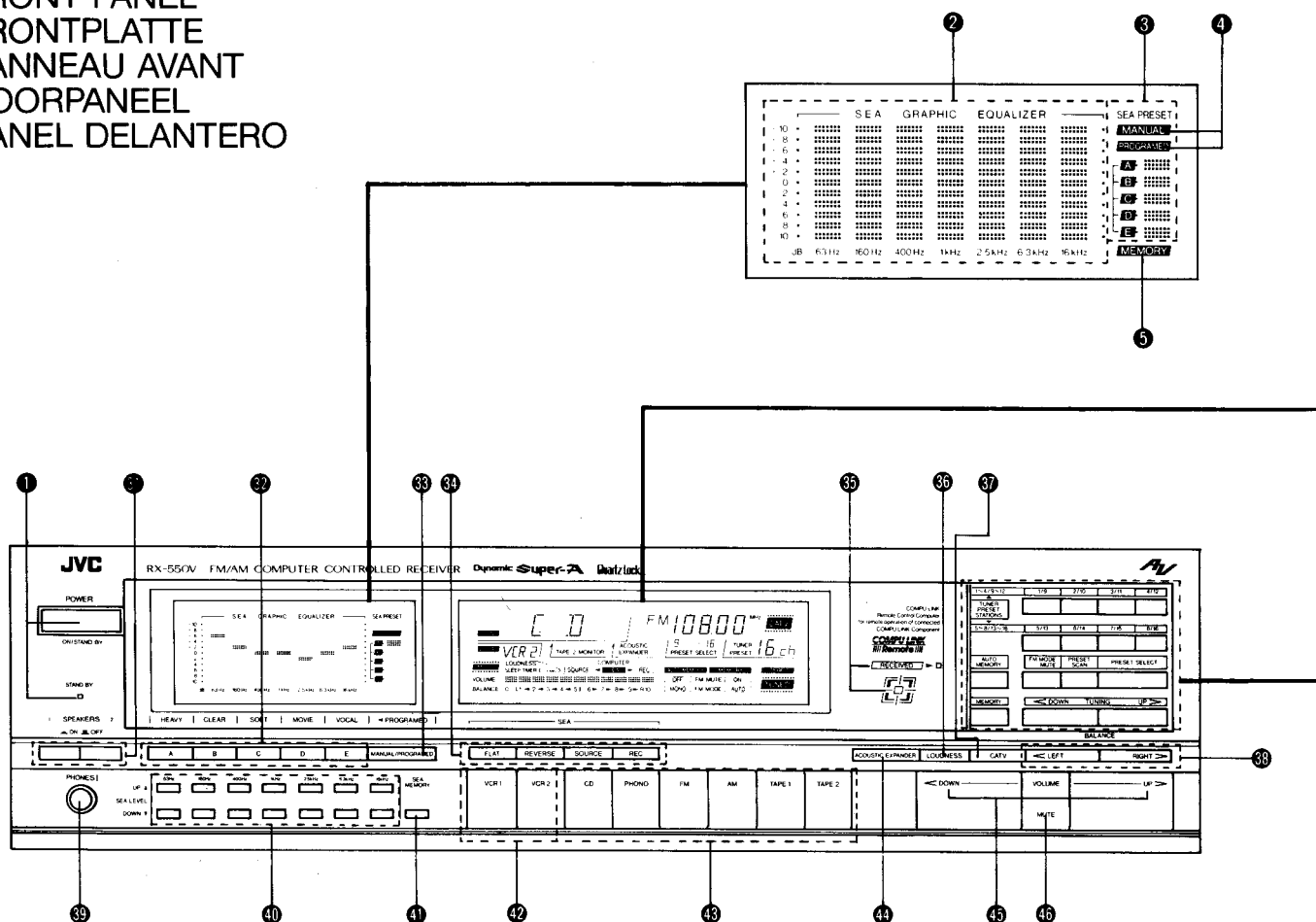
- Antena de 75 ohmios con cable coaxil (Fig. 11)
Afloje los tornillos en la ménsula e inserte el cable en el aro desde abajo. Luego conecte el extremo pelado al terminal superior. El aro de la ménsula trabaja como terminal de conexión a tierra.
- Alimentador de antena (Fig. 12)
Conecte al terminal de 300 ohmios.
Tenga cuidado de que los cables del alimentador de antena no toquen ningún otro terminal.

Para Alemania Occidental (Fig. 13)

- La antena de cable suministrada puede conectarse temporariamente al terminal coaxil de 75 ohmios.
- Antena de 75 ohmios con conect. tipo coaxil (DIN 45 332)
Conecte al terminal de 75 ohmios.

RX-550VBK
RX-550VLBK

FRONT PANEL
FRONTPLATTE
PANEAU AVANT
VOORPANEEL
PANEL DELANTERO



1 POWER

ON: Press to turn the power on. To turn the power off, press it again. Even when the power is turned off, the STAND BY indicator remains lit unless the receiver is unplugged from the wall outlet.

STAND BY: Even when all the indicators other than the STAND BY indicator are turned off, the memory circuit operates and the preset stations and the source selectors are not subject to cancellation or accidental alteration as long as the power cord is plugged into the wall outlet. This situation is called the STAND BY mode. The preset data and the source select data are maintained even in the case of a power failure or while the power is not applied with the power cord disconnected from the wall outlet for a couple of days.

Note:

- Even in the STAND BY mode, this receiver consumes a small amount of electricity (5 watts). To shut the power completely off, disconnect the power cord.

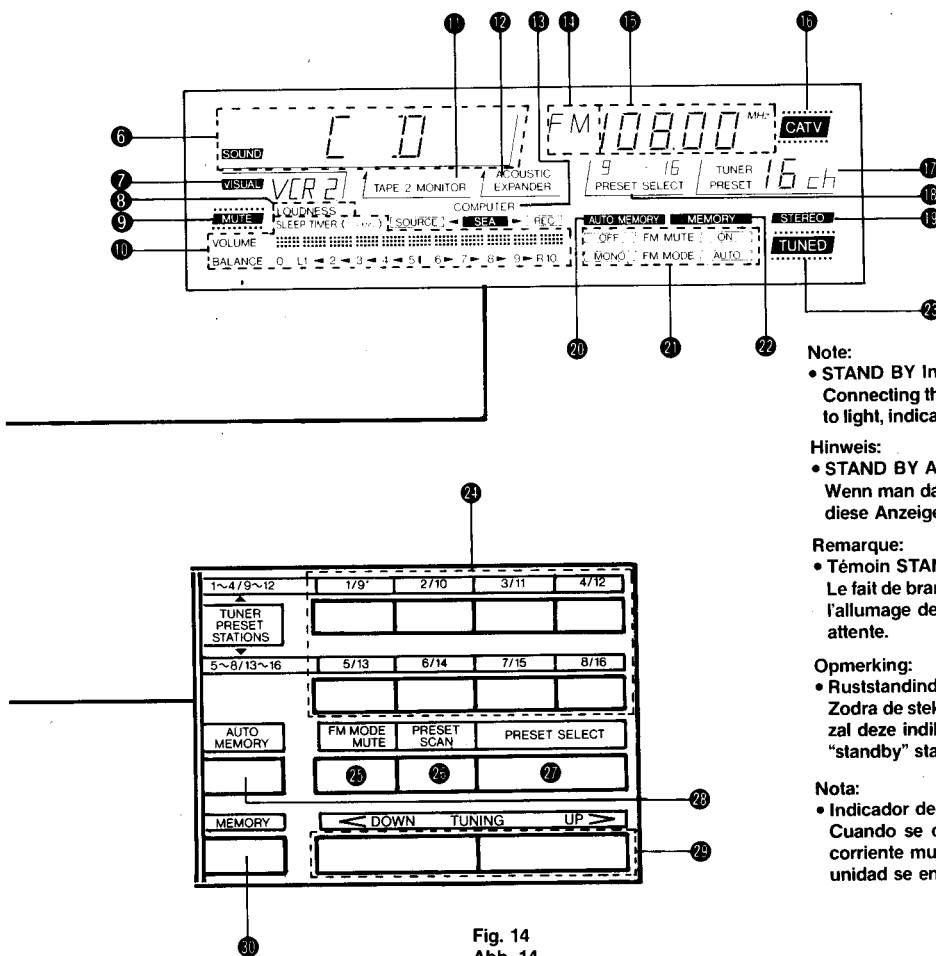
1 Netztaete (POWER)

ON: Netzspannung mit dieser Taste einschalten. Zum Ausschalten erneut drücken. Auch bei ausgeschalteter Netzspannung leuchtet die STAND-BY-Anzeige weiterhin auf, solange das Netzkabel des Receivers nicht von der Wandsteckdose abgezogen ist.

STAND BY: Auch wenn außer der STAND-BY-Anzeige keine der Anzeigen aufleuchtet, ist der Speicherschaltkreis in Betrieb, und die Vorwahlstationen und Programmquellen werden vom Abschalten oder unbeabsichtigter Änderung nicht berührt, solange das Netzkabel an die Wandsteckdose angeschlossen ist. Dieser Betriebszustand heißt STAND BY. Die voreingestellten Daten und Programmquellen bleiben also auch bei Stromausfall erhalten und gleichermaßen, wenn das Netzkabel einige Tage lang von der Wandsteckdose abgezogen ist.

Hinweis:

- Auch bei STAND BY-Betriebsart wird eine geringe Leistung (5 Watt) vom Receiver aufgenommen. Zur kompletten Abschaltung das Netzkabel abziehen.

RX-550VBK
RX-550VLBKFig. 14
Abb. 14
Afb. 14**Note:**

- **STAND BY Indicator**
Connecting the power plug to the AC wall outlet causes this indicator to light, indicating that the unit has been placed in the stand-by mode.

Hinweis:

- **STAND BY Anzeigeleuchte**
Wenn man das Netzkabel an die Wandsteckdose anschließt, leuchtet diese Anzeige auf, und das Gerät ist betriebsbereit.

Remarque:

- **Témoin STAND BY**
Le fait de brancher la fiche d'alimentation à une prise secteur entraîne l'allumage de ce témoin, signifiant que l'appareil est passé en mode attente.

Opmerking:

- **Ruststandindicator (STAND BY)**
Zodra de stekker van het netsnoer in het stopcontact wordt gestoken, zal deze indicator oplichten om aan te geven dat het apparaat in de "standby" stand staat.

Nota:

- **Indicador de modo de espera (STANDBY)**
Cuando se conecta el enchufe del cable de alimentación al tomacorriente mural de CA, este indicador se iluminará indicando que la unidad se encuentra en el modo de espera (STANDBY).

1 Alimentation (POWER)

ON: Appuyer sur la touche pour mettre l'appareil sous tension. Pour couper l'alimentation, appuyer de nouveau sur la touche. Même si l'alimentation est coupée, le témoin STAND BY reste allumé, sauf si le récepteur est débranché de la prise secteur.

STAND BY: Même quand tous les témoins autres que le témoin STAND BY sont éteints le circuit de mémoire fonctionne et les stations pré-réglées et les sélecteurs de source ne sont pas soumis à une annulation ou altération tant que le cordon d'alimentation est branché à la prise secteur. Cette situation est appelée mode STAND BY (attente). En cas de coupure accidentelle d'alimentation ou lorsque l'alimentation est coupée avec le cordon débranché de la prise secteur, les données pré-réglées et les données de sélection de source sont protégées pendant deux jours.

Remarque:

- **Même dans le mode STAND BY, cet amplificateur consomme une faible quantité d'électricité (5 watts). Pour couper complètement l'alimentation, débrancher le cordon secteur.**

1 Spanning toets (POWER)

ON: Druk op deze toets om het apparaat in te schakelen. Druk nogmaals op de toets om het apparaat weer uit te schakelen. Na het uitschakelen van het apparaat zal de ruststandindicator (STAND BY) blijven oplichten, tenzij de stekker van het netsnoer uit het stopcontact wordt getrokken.

STAND BY: Als de ruststandindicator (STAND BY) oplicht maar alle andere indicatoren uit zijn, betekent dit dat het geheuecircuit in bedrijf is en de voorkeuzestations en instellingen van de bronselectors niet gewist of veranderd zullen worden, zolang het netsnoer tenminste op een stopcontact aangesloten is. Deze toestand wordt de ruststand (STAND BY) genoemd. De in het geheugen opgeslagen gegevens betreffende de stations en de gekozen geluidsbron blijven ook bewaard als er een stroomonderbreking mocht zijn of de stekker uit het stopcontact wordt getrokken, mits dit niet langer dan een paar dagen duurt.

Opmerking:

- **Zelfs wanneer de STAND BY-functie van dit toestel ingeschakeld is, verbruikt deze versterker een kleine hoeveelheid stroom (5 Watt). Haal de stekker uit het stopcontact om de spanning volledig uit te schakelen.**

1 POWER

ON: Presiónelo para conectar la alimentación. Para desconectar la alimentación, presiónelo nuevamente. Aun cuando se desconecte la alimentación, el indicador de modo de espera (STANDBY) permanece iluminado, menos que se desenchufe el receptor del tomacorriente mural.

STAND BY: Aun cuando todos los indicadores, excepto el indicador de modo de espera (STANDBY) estén apagados, el circuito de la memoria funciona y las estaciones y los selectores de fuente preajustados no están expuestos a ser borrados o alterados accidentalmente mientras que el cable de alimentación permanece enchufado al tomacorriente mural. Esta condición se denomina modo de espera (STANDBY). Los datos preajustados y los datos de selección de fuente no se borran aun en el caso en que ocurra un corte eléctrico o cuando la alimentación no esté conectada, es decir, con el cable de alimentación desenchufado del tomacorriente mural, por un par de días.

Nota:

- **Aun en el modo STAND BY, este receptor consume una pequeña cantidad de electricidad (5 vatios). Desenchufe el cordón de alimentación para desconectar completamente la alimentación.**

RX-550VBK
RX-550VLBK

- 2 SEA GRAPHIC EQUALIZER indicator**
The dot point rises and falls in response to the pressing of the corresponding SEA LEVEL buttons to show the SEA level in each frequency band.
- 3 SEA PRESET pattern indicator**
Pressing the MANUAL/PROGRAMED button will cause indicator A, B, C, D, or E to light, according to which preset pattern was being used the last time the unit was in that particular mode (MANUAL or PROGRAMED). If no preset pattern was being used, no preset pattern indicator will light. These indicators also light when an SEA PRESET button has been pressed, to select a preset pattern or to store a newly-created pattern in memory.
- 4 MANUAL/PROGRAMED indicator**
Pressing the MANUAL/PROGRAMED button causes "MANUAL" or "PROGRAMED" to light on the display, indicating which mode has been selected.
- 5 MEMORY indicator**
Pressing the MEMORY button lights "MEMORY" for about five seconds, thus indicating the unit is ready to store in memory the pattern you have created.
- 6 SOUND indicator**
This shows which audio signal has been selected with the source selectors, for listening to or recording.
- 7 VISUAL indicator**
This shows which video signal has been selected with the VIDEO source selectors, for watching or recording.
- 8 LOUDNESS indicator**
When the LOUDNESS button has been pressed, this indicator lights.
- 9 MUTE indicator**
This indicator lights when the MUTE button has been pressed. Press it again returns the volume to its original level. Pressing the VOLUME UP/DOWN buttons also cancels the muting.
- 2 SEA-Mehrbereichsklangregler-Pegelanzeige (SEA GRAPHIC EQUALIZER)**
Durch Drücken der SEA-LEVEL-Taste bewegt sich der entsprechende Punkt aufwärts oder abwärts und zeigt dadurch den SEA-Pegel im jeweiligen Frequenzbereich an.
- 3 SEA-Vorwahlmuster-Anzeige (SEA PRESET)**
Wenn die MANUAL/PROGRAMED-Taste gedrückt wird, leuchtet die Anzeige A, B, C, D oder E entsprechend dem Vorwahlmuster, das verwendet wurde, als sich das Gerät das letzte Mal in dieser bestimmten Betriebsart (MANUAL oder PROGRAMED) befand. Wurde kein Vorwahlmuster verwendet, leuchtet auch keine Vorwahlmuster-Anzeige. Diese Anzeigen leuchten auch nach Drücken einer SEA PRESET-Taste zum Wählen eines Vorwahlmusters oder zum Speichern eines neu eingestellten Vorwahlmusters.
- 4 Manuell/Programm-Anzeige (MANUAL/PROGRAMED)**
Wenn die MANUAL/PROGRAMED-Taste gedrückt wird, leuchtet "MANUAL" oder "PROGRAMED" auf dem Display, wodurch die gewählte Betriebsart angezeigt wird.
- 5 Speicher-Anzeige (MEMORY)**
Wenn die MEMORY-Taste gedrückt wird, leuchtet "MEMORY" für etwa fünf Sekunden. Während dieser Zeit kann das eingestellte Muster gespeichert werden.
- 6 Klang-Anzeige (SOUND)**
Diese Anzeige zeigt, welches Audiosignal mit den Signalquellenwählern für Wiedergabe oder Aufnahme gewählt wurde.
- 7 Visuell-Anzeige (VISUAL)**
Diese Anzeige zeigt, welches Videosignal mit den VIDEO-Signalquellenwählern für Wiedergabe oder Aufnahme gewählt wurde.
- 8 Lautstärkekontur-Anzeige (LOUDNESS)**
Diese Anzeige leuchtet, wenn die LOUDNESS-Taste gedrückt wurde.
- 9 Dämpfungsanzeige (MUTE)**
Diese Anzeige leuchtet nach Betätigen der MUTE-Taste. Durch nochmaliges Betätigen wird wieder auf die ursprüngliche Lautstärke geschaltet; ebenfalls durch Betätigen der VOLUME UP/DOWN-Taste.

10 VOLUME/BALANCE/SLEEP TIMER (x 10 MIN) indicator

This indicator is used as the VOLUME, BALANCE, or SLEEP TIMER indicator. Normally, "VOLUME" lights and this indicator shows the level of sound going to the speakers or headphones. When the BALANCE buttons are pressed, "BALANCE", the center bar, "L" and "R" light and the balance between the right and left speakers is shown. When the SLEEP button on the remote control unit is pressed, "SLEEP TIMER (x 10 MIN)" lights. Each time the SLEEP button is pressed, the sleep timer's setting is increased in 10-minute increments to up to 60 minutes, with a square on this indicator lighting for each 10-minute increment added. However, the leftmost point does not light in this mode. This indicator is also useful to check the timer's turn-off time. The display continues in the BALANCE or SLEEP TIMER indication mode for about five seconds, and then returns to the VOLUME indication mode.

11 TAPE-2 MONITOR indicator

When the TAPE-2 button has been pressed, this indicator lights.

12 ACOUSTIC EXPANDER indicator

This indicator lights when the ACOUSTIC EXPANDER button has been pressed to ON.

13 COMPUTER SEA indicator

When the SEA SOURCE button is pressed, [SOURCE] lights to show that the S.E.A. is processing the signals fed to the speakers or headphones.

When the SEA REC button is pressed, the [REC] lights to show that the S.E.A. is processing the signals output from the REC OUT terminals.

14 FM/AM indicator

"FM" is displayed during FM reception and "AM" during AM reception.

15 Frequency indicator

The tuned-in frequency is displayed digitally. Four digits (kHz) are displayed during AM reception, five digits (MHz) (for Europe, U.K., Australia, and other countries) or four digits (MHz) (for U.S.A. and Canada) are displayed during FM reception.

16 CATV indicator (only for the U.S.A. and Canada)

When the CATV button is pressed to on, this indicator lights to show that this unit receives CATV programs.

17 TUNER PRESET indicator

When the one of the TUNER PRESET STATIONS buttons is pressed, this indicator shows its preset station number.

18 PRESET SELECT indicator

Each time the PRESET SELECT button is pressed, this indicator shows "1 - 8" or "9 - 16" to show the group of preset stations to be selected.

19 STEREO indicator

When an FM stereo broadcast is being received, this indicator lights. When the MODE indicator shows "MONO", this indicator will not light even if a stereo FM broadcast is being received. In that case, press the FM MODE/MUTE button so that "AUTO" is shown.

20 Lautstärke/Balance/Einschlafschaltuhr-Anzeige (x 10 MIN) (VOLUME/BALANCE/SLEEP TIMER)

Diese Anzeige dient als VOLUME, BALANCE- oder SLEEP TIMER-Anzeige.

Normalerweise leuchtet "VOLUME" und diese Anzeige zeigt den Klangpegel, der den Lautsprechern oder dem Kopfhörer zugeführt wird. Werden die BALANCE-Tasten gedrückt, leuchten "BALANCE", der Mittelbalken, "L" und "R", und die Balance zwischen dem rechten und linken Lautsprecher wird angezeigt. Wenn die SLEEP-Taste auf der Fernbedienungseinheit gedrückt wird, leuchtet "SLEEP TIMER (x 10 MIN)". Mit jedem Drücken der SLEEP-Taste wird der Zeitpunkt des automatischen Ausschaltens der Einschlafschaltuhr um 10 Minuten bis zu 60 Minuten verlängert, auf der Anzeige erscheint ein Quadrat für jeden zusätzlichen 10-Minuten-Zeitraum. Der Punkt ganz links leuchtet jedoch in dieser Betriebsart nicht. Diese Anzeige ist auch zur Überprüfung der Ausschaltzeit der Schaltuhr nützlich. Die Anzeige zeigt die BALANCE- oder SLEEP TIMER-Einstellung für fünf Sekunden an und kehrt dann zur VOLUME-Anzeigefunktion zurück.

21 TAPE-2 MONITOR-Anzeige

Bei Drücken der Taste TAPE-2 leuchtet die entsprechende Anzeige auf.

22 Akustikerweiterung-Anzeige (ACOUSTIC EXPANDER)

Diese Anzeige leuchtet, wenn die ACOUSTIC EXPANDER-Taste auf ON gedrückt wurde.

23 Computer-SEA-Anzeige (COMPUTER SEA)

Wenn die SEA SOURCE-Taste gedrückt wird, leuchtet die [SOURCE]-Anzeige. Dann werden die Signale, die zu den Lautsprechern oder zum Kopfhörer geleitet werden, im S.E.A. geregelt. Wenn die SEA REC-Taste gedrückt wird, leuchtet die [REC]-Anzeige. Dann werden die Signale, die von den REC OUT-Anschlüssen kommen, im S.E.A. geregelt.

24 UKW/MW-Anzeige (FM/AM)

Bei UKW-Empfang wird "FM" und bei MW-Empfang "AM" angezeigt.

25 Frequenz-Anzeige

Die Empfangsfrequenz wird digital angezeigt. Bei MW-Empfang werden vier Stellen (kHz) und bei UKW-Empfang fünf Stellen (MHz) (Europa, Großbritannien, Australien und andere Länder) bzw. vier Stellen (MHz) (USA und Kanada) angezeigt.

26 CATV-Anzeige (nur für die USA und Kanada)

Wenn die CATV-Taste gedrückt ist, zeigt diese leuchtende Anzeige, daß CATV-Programme empfangen werden.

27 Stationstasten-Anzeige (TUNER PRESET)

Wenn eine der TUNER PRESET STATIONS-Tasten gedrückt wird, zeigt diese Anzeige die Nummer der Stationstaste.

28 Speichervorwahl-Anzeige (PRESET SELECT)

Mit jedem Drücken der PRESET SELECT-Taste zeigt diese Anzeige mit "1 - 8" oder "9 - 16" die Gruppe der gewählten Stationsstellen.

29 Stereo-Anzeige (STEREO)

Diese Anzeige leuchtet, wenn ein UKW-Stereosender empfangen wird. Wenn die MODE-Anzeige "MONO" anzeigt, leuchtet diese Anzeige nicht, auch wenn ein UKW-Stereosender empfangen wird. In diesem Fall die FM MODE/MUTE-Taste drücken, so daß "AUTO" auf der Anzeige erscheint.

RX-550VBK
RX-550VLBK

- 20 AUTO MEMORY indicator**
Lights when the AUTO MEMORY button is set to on.
- 21 FM MODE/FM MUTE indicators**
These indicators show AUTO/ON or MONO/OFF according to the setting of the FM MODE/MUTE button.
- 22 MEMORY indicator**
Lights for about five seconds when the MEMORY button is pressed to on, or for one second when a frequency is stored in memory during auto memory.
- 23 TUNED indicator**
When a broadcast is being received, this indicator lights.
- 24 TUNER PRESET STATIONS**
These buttons are used to select one of the preset stations or to store a frequency in memory. When one of these buttons is pressed, the preset number is shown by the TUNER PRESET indicator.
If one of these buttons is pressed when the MEMORY button has been pressed, the frequency which is being received will be stored in memory.
- 25 FM MODE/MUTE**
For normal FM reception and automatic elimination of interstation noise, press this button so that FM MODE's "AUTO" and FM MUTE's "ON" light in the display.
When receiving a weak or noisy FM stereo broadcast, press this button so that "MONO" of FM MODE and "OFF" of FM MUTE light; the broadcast will be heard in mono but the clarity of reception will be improved.
- 26 PRESET SCAN**
This button permits scanning of the preset stations. When this button is pressed, preset station 1 is tuned in, and its number flashes for about five seconds. This continues for each of the other stations, until all 16 (in the AM or FM band) have been scanned. When the desired station is received, pressing the PRESET SCAN button stops the scanning and the RX-550VBK/RX-550VLBK remains tuned to the station. If no stations were selected during this function, the frequency tuned to before this function was initiated is tuned to again.
- 27 PRESET SELECT**
Press to set to preset channels 1 — 8 or 9 — 16. 1 — 8 or 9 — 16 PRESET SELECT indicator lights. Up to 16 stations for each band (FM 16, AM 16) can be preset as required. Even when you pushed MEMORY button and then changed 1 — 8 and 9 — 16 by pressing this button, it is possible to accomplish preset memory by pressing the TUNER PRESET STATIONS button.
- 20 Auto-Speicherung-Anzeige (AUTO MEMORY)**
Diese Anzeige leuchtet, wenn die AUTO MEMORY-Taste auf ON steht.
- 21 UKW-Empfangsart/UKW-Dämpfung-Anzeigen (FM MODE/FM MUTE)**
Diese Anzeigen zeigen entsprechend der Einstellung der FM MODE/MUTE-Taste "AUTO"/"ON" oder "MONO"/"OFF" an.
- 22 Speicher-Anzeige (MEMORY)**
Leuchtet für etwa fünf Sekunden, wenn die MEMORY-Taste gedrückt wird, oder für eine Sekunde, wenn bei der automatischen Speicherung eine Frequenz gespeichert wird.
- 23 Abstimm-Anzeige (TUNED)**
Diese Anzeige leuchtet, wenn ein Radiosender empfangen wird.
- 24 Tunervorwahl-Tasten (TUNER PRESET STATIONS)**
Diese Tasten dienen zum Abrufen oder zum Speichern von Sendern.
Wird eine dieser Tasten gedrückt, wird die Vorwahlnummer auf der TUNER PRESET-Anzeige angezeigt. Wird eine dieser Tasten nach Drücken der MEMORY-Taste gedrückt, wird die empfangene Frequenz gespeichert.
- 25 UKW-Empfangsart/Dämpfung-Taste (FM MODE/MUTE)**
Für normalen UKW-Empfang und automatische Unterdrückung der Störgeräusche zwischen den Sendern diese Taste drücken, so daß "AUTO" für FM MODE und "ON" für FM MUTE auf dem Display leuchten.
Beim Empfang eines schwachen oder verrauschten UKW-Stereosenders diese Taste drücken, so daß "MONO" für FM MODE und "OFF" für FM MUTE leuchten, dann wird der Sender in Mono gehört, aber der Empfangist viel klarer.
- 26 Speicherabtastung-Taste (PRESET SCAN)**
Diese Taste ermöglicht Absuchen der gespeicherten Sender. Wenn diese Taste gedrückt wird, wird Senderspeicher 1 eingestellt, und die Nummer blinkt für etwa fünf Sekunden. Dies wird für alle anderen gespeicherten Sender fortgesetzt, bis alle 15 (im UKW- oder MW-Wellenband) abgesucht wurden. Wenn der gewünschte Sender empfangen wird, stoppt der Suchvorgang durch Drücken der PRESET SCAN-Taste, und der RX-550VBK/RX-550VLBK empfängt diesen Sender. Wird während dieses Suchvorgangs kein Sender gewählt, wird wieder der Sender empfangen, der vor Durchführung dieser Speicherabtastung empfangen wurde.
- 27 Speichervorwahl-Taste (PRESET SELECT)**
Diese Taste drücken, um die Vorwahlkanäle 1 — 8 oder 9 — 16 einzustellen. Die 1 — 8 oder 9 — 16 PRESET SELECT-Anzeige leuchtet. Bis zu 16 Sender können für jedes Wellenband (UKW 16, MW 16) gespeichert werden. Auch wenn die MEMORY-Taste gedrückt und dann durch Drücken dieser Taste 1 — 8 und 9 — 16 geändert wurde, ist es möglich, durch Drücken der TUNER PRESET STATIONS-Taste Vorwahlspeicherung durchzuführen.

27 AUTO MEMORY

Press this button and one of the TUNER PRESET STATIONS buttons to scan and preset broadcasts automatically. Starting from the frequency being displayed, the tuner tunes into increasingly higher frequencies, until a broadcast is tuned in. Then, the TUNED indicator lights and the channel number you have pressed earlier flickers for three seconds. If you don't wish to store this station in memory, press this button within four seconds, and the scan function will start again. Otherwise, the MEMORY indicator and channel number light together and the frequency is stored in that channel. Then, up-scanning continues. This process continues until the highest numbered channel preset station has a frequency stored in its memory. If the frequency reaches its upper limit, the auto memory function stops and the channel number in which the highest frequency is stored in memory is shown. If the upper limit of the frequency band is reached before this happens, the upper limit frequency is shown. Otherwise, when this process ends, the last frequency tuned to and its corresponding channel number are displayed.

Note:

- To cancel the auto memory function, press one of the buttons in the tuner section other than the AUTO MEMORY or PRESET SELECT button.

28 TUNING UP/DOWN

DOWN: Press to tune to lower frequencies.

UP: Press to tune to higher frequencies.

Manual tuning

RX-550VBK: Tapping these buttons changes the frequency in single steps of 9 or 10 kHz in AM, and 50 or 100 kHz in FM.

RX-550VLBK: Tapping these buttons changes the frequency in single steps of 9 or 10 kHz in MW, 1 kHz in LW, and 50 or 100 kHz in FM. This machine is designed so that MW and LW frequencies can be automatically switched by the tuning button.

When raising the frequency for LW, 353 kHz will automatically change to MW 522 kHz. Conversely, when lowering the frequency for MW, 522 kHz will switch to 353 kHz.

Auto tuning

Holding either button pressed for more than one second and then releasing it starts auto tuning; when a broadcast is received, tuning will stop. But if either button is kept held in, scanning continues even when a broadcast is received. In auto tuning, pressing either button again stops scanning.

Note:

- When one of these buttons is being tapped, the frequency causes to change at the upper or lower limit of the frequency band. In auto tuning, the frequency scanning reverses direction when the upper or lower limit is reached.

29 Auto-Speichertaste (AUTO MEMORY)

Zum automatischen Absuchen und Speichern von Radiosendern diese Taste und eine der TUNER PRESET STATIONS-Tasten drücken.

Die Empfangsfrequenz wird beginnend mit der angezeigten Frequenz automatisch erhöht, bis ein Sender gefunden ist. Dann leuchtet die TUNED-Anzeige und die zuvor gedrückte Kanalnummer blinkt für drei Sekunden. Soll dieser Sender nicht in den Speicher eingegeben werden, diese Taste innerhalb von 4 Sekunden drücken, und die Absuchfunktion beginnt erneut. Ansonsten leuchten die MEMORY-Anzeige und Kanalnummer zusammen, und die Frequenz wird in diesem Kanal gespeichert. Danach wird das Absuchen in Aufwärtsrichtung fortgesetzt, bis die höchste Kanalnummer der Stationstasten eine Frequenz gespeichert hat. Wenn die Frequenz die obere Grenze erreicht hat, stoppt die automatische Speicherfunktion, und die Kanalnummer, in der die höchste Frequenz gespeichert ist, wird angezeigt. Wenn die obere Grenze des Frequenzbereiches erreicht wird, bevor dies geschieht, wird die obere Frequenzgrenze angezeigt. Ansonsten werden nach Beendigung des Vorgangs die letzte abgestimmte Frequenz und der entsprechende Kanal angezeigt.

Hinweis:

- Zur Abschaltung der Automatikspeicherfunktion eine Taste des Tunerteils (mit Ausnahme von AUTO MEMORY- und PRESET SELECT- Taste) betätigen.

30 Abtimm-Aufwärts/Abwärts-Taster (TUNING UP/DOWN)

DOWN: Zum Vermindern der Empfangsfrequenz diese Taste drücken.

UP: Zum Erhöhen der Empfangsfrequenz diese Taste drücken.

Manuelle Abstimmung

RX-550VBK: Durch antippen dieser Tasten wird die Empfangsfrequenz in einzelnen Schritten von 9 oder 10 kHz bei MW-Empfang und 50 oder 100 kHz bei UKW-Empfang geändert.

RX-550VLBK: Durch Antippen dieser Tasten wird die Frequenz für MW in 9- bzw. 10-kHz-Schritten, für LW in 1-kHz-Schritten und für UKW in 50- bzw. 100-kHz-Schritten abgestimmt. MW- und LW-Frequenz werden bei diesem Modell automatisch umgeschaltet. Bei Erhöhung der KW-Frequenz wird von 353 kHz automatisch auf MW 522 kHz umgeschaltet. Umgekehrt erfolgt bei Absenkung der MW-Frequenz automatisch die Umschaltung auf 353 kHz.

Automatische Abstimmung

Die automatische Abstimmung startet, wenn eine der Tasten länger als eine Sekunde gedrückt gehalten und dann losgelassen wird. Die Abstimmung stoppt, wenn ein Sender empfangen wird. Wird eine der Tasten gedrückt gehalten, wird die Abstimmung auf fortgesetzt, wenn ein Sender empfangen wird. Wird bei der automatischen Abstimmung eine der Tasten gedrückt, stoppt die Sendersuche.

Hinweis:

- Beim Antippen dieser Tasten wird die Frequenzrichtung an der Ober- oder Untergrenze des Frequenzbereiches geändert. Bei der automatischen Abstimmung wird die Suchrichtung bei Erreichen der Ober- oder Untergrenze des Frequenzbandes geändert.

RX-550VBK
RX-550VLBK

30 MEMORY

Press this button, and the MEMORY indicator will light to show that it is ready to receive a memory setting. Pressing the station select button while the MEMORY indicator is lit (for about five seconds) makes it possible to store the station in the specified memory. At this time, the channel number is shown in the display.

31 SPEAKERS

1

Press to switch the speakers connected to the SPEAKERS 1 terminals on or off.

2

Press to switch the speakers connected to the SPEAKERS 2 terminals on or off.

32 S.E.A. PRESET (A, B, C, D, E)

Press to store the displayed S.E.A. pattern in memory or to recall the preset S.E.A. pattern corresponding to the button pressed. While in the MANUAL mode, pressing the MEMORY button and then one of these five buttons will store the pattern you have created. Later, while in MANUAL mode, that pattern can be recalled by pressing the appropriate SEA PRESET button. Up to five original patterns can be stored for recall in this way.

A different set of S.E.A. patterns is available when in the PROGRAMED mode. These five patterns (HEAVY, CLEAR, SOFT, MOVIE, and VOCAL) have been permanently stored in memory before the unit was shipped, and may not be replaced. So, up to 10 patterns may be recalled. For more details, refer to page 49.

33 MANUAL/PROGRAMED

Press to switch between the MANUAL and PROGRAMED SEA pattern modes.

34 SEA

FLAT: Press this button for a flat response.

REVERSE: Press this button to reverse the pattern's characteristics.

SOURCE: Press this button to listen to the S.E.A.-compensated sound.

REC: Press this button to record S.E.A.-compensated signals.

Note:

• **The S.E.A.-compensated TAPE 1 sound is available for either SEA SOURCE or SEA REC.**

35 REMOTE SENSOR

While infrared signals are being received from the remote control unit, the RECEIVED indicator lights.

36 LOUDNESS

Press this button to compensate for the ear's lower sensitivity at low listening levels.

30 Speicher-Taste (MEMORY)

Durch Drücken dieser Taste leuchtet die MEMORY-Anzeige. Dann kann ein Sender gespeichert werden, während die MEMORY-Anzeige leuchtet (für etwa fünf Sekunden). Dabei wird die Kanalnummer auf dem Display angezeigt.

31 Lautsprecher-Tasten (SPEAKERS)

1

Durch Drücken dieser Taste werden die an den SPEAKERS 1-Klemmen angeschlossenen Lautsprecher ein- und ausgeschaltet.

2

Durch Drücken dieser Taste werden die an den SPEAKERS 2-Klemmen angeschlossenen Lautsprecher ein- und ausgeschaltet.

32 SEA-Vorwahl-tasten (A, B, C, D, E)

Diese Tasten dienen zum Speichern des angezeigten SEA-Muster entsprechend der gedrückten SEA-Muster entsprechend der gedrückten Taste. Wenn in der MANUAL-Betriebsart die MEMORY-Taste und danach eine dieser fünf Tasten gedrückt wird, wird das eingestellte Muster gespeichert. Danach können die gespeicherten Muster in der MANUAL-Betriebsart durch Drücken der entsprechenden SEA PRESET-Taste abgerufen werden. Bis zu fünf Muster können auf diese Weise gespeichert und jederzeit abgerufen werden.

In der PROGRAMED-Betriebsart ist ein unterschiedlicher Satz SEA-Muster verfügbar. Diese fünf Muster (HEAVY, CLEAR, SOFT, MOVIE und VOCAL) sind ab Werk fest gespeichert und können nicht geändert werden. Insgesamt stehen damit 10 Muster zur Verfügung. Für weitere Einzelheiten siehe Seite 49.

33 MANUAL/PROGRAMED

Durch Drücken dieser Taste wird zwischen den SEA-Muster-Betriebsarten MANUAL und PROGRAMED umgeschaltet.

34 SEA-Tasten (SEA)

FLAT: Diese Taste drücken, um einen linearen Frequenzgang zu erhalten.

REVERSE: Diese Tasten drücken, um die Charakteristika der Muster umzukehren.

SOURCE: Diese Taste drücken, um den SEA-geregelten Klang zu hören.

REC: Diese Taste drücken, um das SEA-geregelte Signal zuzunehmen.

Hinweis:

• **Der Klang von TAPE 1 mit S.E.A.-Klangregelung ist verfügbar für SEA SOURCE oder SEA REC.**

35 Fernbedienungssensor (REMOTE SENSOR)

Die RECEIVED-Anzeige leuchtet beim Empfang von Infrarotsignalen von der Fernbedienungseinheit.

36 Lautstärkekontur-Taste (LOUDNESS)

Diese Taste drücken, um die verminderte Empfindlichkeit des menschlichen Gehörs bei niedriger Lautstärke auszugleichen.

RX-550VBK
RX-550VLBK**① CATV (only for the U.S.A. and Canada)**

Use this button along with the separate CATV antenna control unit. When connecting the CATV cable to enjoy CATV programs or connecting the FM antenna to "CATV IN" of CATV antenna control unit to listen to an FM broadcast. Push this button to illuminate the CATV indicator. When the CATV indicator does not light, you can listen to the broadcast through the antenna connected to the EXT. FM IN of CATV antenna control unit. Also, the CATV button functions can also be stored in each preset station along with frequency.

② BALANCE (LEFT/RIGHT)

Use to adjust the balance between the left and right speakers. Press the LEFT button once to adjust the balance to the left by one step and the RIGHT button to adjust to the right. Holding them pressed changes the balance continuously. The BALANCE indicator is shown on the display.

③ Headphone jack (PHONES)

Plug stereo headphones into this jack for private listening and recording monitoring. If you want to listen to sound from the headphones only, press the SPEAKERS buttons to OFF.

① CATV-Taste (nur für die USA und Kanada)

Diese Taste zusammen mit der separaten CATV-Antennensteuerungseinheit verwenden. Wenn das CATV-Kabel zum Empfang von CATV-Programmen angeschlossen ist oder eine UKW-Antenne an den "CATV IN"-Anschluß der CATV-Antennensteuerungseinheit zum Empfang von UKW-Sendern angeschlossen ist, diese Taste drücken, so daß die Anzeige leuchtet. Wenn die CATV-Anzeige nicht leuchtet, können Radiosender durch die mit EXT. FM IN der CATV-Antennensteuerungseinheit verbundenen Antenne empfangen werden. Die CATV-Tastenfunktionen können auch zusammen mit den Frequenzen in den Stationstasten gespeichert werden.

② Balance-Links/Rechts-Tasten (BALANCE LEFT/RIGHT)

Diese Tasten dienen zum Einstellen der Balance zwischen den rechten und linken Lautsprechern. Durch Drücken der LEFT-Taste wird der linke Lautsprecher um eine Stufe lauter, durch Drücken der RIGHT-Taste der rechte Lautsprecher. Wird eine der Tasten gedrückt gehalten, ändert sich die Balance fortlaufend. Auf dem DISPLAY erscheint die BALANCE-Anzeige.

③ Kopfhörerbuchse (PHONES)

Diese Buchse dient zum Anschließen eines Stereo-Kopfhörers für ungestörtes Hören oder Aufnahmeüberwachung. Soll nur über Kopfhörer gehört werden, die SPEAKERS-Taste auf OFF drücken.

RX-550VBK
RX-550VLBK

40 SEA LEVEL

The built-in graphic equalizer divides the audio spectrum into seven frequency bands with center frequencies from 63 Hz to 16 kHz at intervals of 4/3 octave.

When the SEA level is set to '0' (center position), frequency response is flat. The response in each band can be varied by ± 10 dB by pressing the UP or DOWN SEA LEVEL buttons.

The buttons for different frequency bands can be pressed at the same time, and holding them down causes the level to continue rising or falling.

63 Hz: Raise to emphasize the very low bass response of organs, drums, and contrabass. It produces stable and solid sound with emphasis and eliminates the unclear sound response of low frequencies with de-emphasis.

160 Hz: Emphasize to obtain a more expanded low sound. De-emphasize to eliminate unclear sound caused by large or nearly empty listening rooms.

400 Hz: This frequency range is the base on which music is constructed. Emphasize to really put a punch in your music.

1 kHz: Most effective in emphasizing or de-emphasizing the human voice. Emphasize to cause the vocalist to be brought to the foreground, or de-emphasize to cause it to recede into the background.

2.5 kHz: This frequency stimulates the human ear. If the music sounds hard or metallic, de-emphasize.

6.3 kHz: Boost to add clarity to winds and strings. This frequency band varies the tonal expression, influencing the subtleties of the music.

16 kHz: Boosting this frequency range properly adds to the delicacy of highs, with cymbals and triangles resounding in a more ear-pleasing manner, and provides a feeling of extension. This frequency band can also be used to compensate for cartridge response since most moving-magnet cartridges have their resonance peaks in the frequency range from 10 kHz to 20 kHz.

41 SEA MEMORY

Press this button and the MEMORY indicator will light for about five seconds. While it is lit, press one of the SEA PRESET buttons to store in memory the SEA pattern currently being displayed.

42 VIDEO

VCR 1: Press this button to watch the source from the VCR unit connected to the VCR 1 terminals.

VCR 2: Press this button to watch the source from the VCR unit connected to the VCR 2 terminals.

40 SEA-Pegelasten (SEA LEVEL)

Der eingebaute Mehrbereichsklangregler teilt das Audiospektrum in sieben Frequenzbereiche auf mit Mittenfrequenzen von 63 Hz bis 16 kHz in Abständen einer 4/3 Oktave.

Wenn die SEA-Pegelregler auf '0' (Mittelposition) eingestellt sind, ist der Frequenzgang linear. Durch Drücken der UP- und DOWN SEA LEVEL-Tasten kann der Frequenzgang in jedem Bereich um ± 10 dB verändert werden.

Die Tasten für verschiedene Frequenzbereiche können gleichzeitig gedrückt werden. Werden sie gedrückt gehalten, wird der Pegel fortlaufend erhöht bzw. vermindert.

63 Hz: Erhöhen, um die sehr tiefen Bässe von Orgel, Trommel und Kontrabass hervorzuheben. Erhöhung erzeugt einen stabilen und soliden Klang. Senkung unterdrückt die unklare Klangreproduktion von niedrigen Frequenzen.

160 Hz: Erhöhen, um einen weiteren tiefen Klang zu erhalten. Durch Senken wird der unklare Klang durch große oder fast leere Räume beseitigt.

400 Hz: Dieser Frequenzbereich bildet die Grundlage jeder Musik. Durch Erhöhung kann die Musik besonders betont werden.

1 kHz: Dieser Bereich ist am wirkungsvollsten zum Hervorheben oder Dämpfen der menschlichen Stimme. Durch Erhöhung werden Stimmen in den Vordergrund und durch Senkung in den Hintergrund gebracht.

2.5 kHz: Diese Frequenz regt das menschliche Ohr an. Wenn die Musik hart oder metallisch klingt, diesen Bereich senken.

6.3 kHz: Erhöhen, um die Streich- und Blasinstrumente klarer zu machen. Dieser Frequenzbereich variiert den tonalen Ausdruck und beeinflusst die Nuancen der Musik.

16 kHz: Durch Erhöhen dieses Frequenzbereiches werden die Höhen delikater. Becken und Triangel klingen angenehmer, wodurch ein Gefühl der Erweiterung entsteht. Dieser Frequenzbereich kann auch zum Kompensieren der Frequenzgänge von Tonabnehmern verwendet werden, da die meisten magnetischen Tonabnehmer ihre Resonanzspitzen im Bereich von 10 kHz bis 20 kHz aufweisen.

41 SEA-Speichertaste (SEA MEMROY)

Wenn diese Taste gedrückt wird, leuchtet die MEMORY-Anzeige für fünf Sekunden. Wird eine der SEA PRESET-Tasten gedrückt, während die Anzeige leuchtet, wird das gegenwärtig angezeigte SEA-Muster gespeichert.

42 Video-tasten (VIDEO)

VCR 1: Diese Taste drücken, um die Signalquelle vom VCR-Gerät zu sehen, das an den VCR 1-Anschlüssen angeschlossen ist.

VCR 2: Diese Taste drücken, um die Signalquelle vom VCR-Gerät zu sehen, das an den VCR 2-Anschlüssen angeschlossen ist.

RX-550VBK
RX-550LBK

3 AUDIO

CD: Press this button to listen to a compact disc player connected to the CD terminals.

PHONO: Press to listen to a turntable connected to the PHONO terminals.

FM: Press this button to listen to an FM broadcast.

AM(RX-550VBK),AM(MW/LW)(RX-550LBK): Press this button to listen to an AM (MW/LW) broadcast.

TAPE 1: Press to listen to the tape deck connected to the TAPE 1 terminals.

TAPE 2: Press to listen to a tape deck connected to the TAPE 2 terminals. Another press of this button will release this function so that the source selected by another source select button may be heard.

Notes:

- Press this button to monitor the recorded sound (listening to the sound just recorded) when using a three-head tape deck.

- The SOUND signal can be selected from a different AUDIO source in combination with the VISUAL signal originating from the VIDEO source.

Example: When the VCR 1-2 button and the AUDIO button are pressed:

Now, press an AUDIO source selector button (CD, PHONO, AM, FM, TAPE 1-TAPE 2). The VISUAL signal from the VCR 1-2 terminal is output to the VIDEO MONITOR OUT terminal and the VIDEO VCR 2-1 REC terminal. The AUDIO signal from the audio source is heard from the speakers or headphones, and is output to the AUDIO, VCR REC terminal. In this way, a VCR may record the SOUND and VISUAL signal from separate sources.

4 ACOUSTIC EXPANDER

When this button is pressed, the ACOUSTIC EXPANDER indicator lights and the sound image is expanded; a monaural signal will be given a stereo effect and a stereo signal sounds better.

Notes:

- When a VCR is monaural, use the L and R distributor (mono — L and R) for connecting the left and right terminals.
- The ACOUSTIC EXPANDER sound effect cannot be recorded.

5 VOLUME (DOWN/UP)

Adjust the volume of speakers or headphones. Press the UP button once to increase the volume by one step, and the DOWN button once to decrease it by one step; this level is shown by the VOLUME indicator. Holding down one of these buttons will cause the volume to progressively rise or fall.

6 MUTE

Press this button, and the MUTE indicator will light and the sound will be instantaneously muted. To return the volume to its original level, press this button again, or press the BALANCE or VOLUME buttons.

3 AUDIO

CD: Betätigen, um vom an den CD-Buchsen angeschlossenen CD-Player wiederzugeben.

PHONO: Betätigen, um vom an den PHONO-Buchsen angeschlossenen Plattenspieler wiederzugeben.

FM: Betätigen, um eine UKW-Sendung wiederzugeben.

AM(RX-550VBK),AM(MW/LW)(RX-550LBK): Betätigen, um eine AM (MW/LW)-Sendung wiederzugeben.

TAPE 1: Betätigen, um vom an den TAPE 1-Buchsen angeschlossenen Cassettedeck wiederzugeben.

TAPE 2: Betätigen, um von dem an den TAPE 2-Buchsen angeschlossenen Cassettedeck wiederzugeben. Durch nochmaliges Betätigen dieser Taste wird diese Funktion abgeschaltet, so daß die über eine andere Signalquellentaste angewählte Signalquelle wiedergegeben wird.

Hinweise:

- Bei Verwendung eines mit Hinterbandkontrolle ausgestatteten Bandgeräts diese Funktion verwenden, um bei Aufnahme des Hinterbandsignal überwachen zu können.

- Es kann zum VISUAL-Signal der VIDEO-Signalquelle ein beliebiges SOUND-Signal einer AUDIO-Signalquelle gewählt werden.

Beispiel: Wenn die VCR 1-2-Taste und die AUDIO-Taste gedrückt sind. Jetzt eine AUDIO-Signalquellentaste (CD, PHONO, AM, FM, TAPE 1-TAPE 2), drücken. Das VISUAL-Signal vom VCR 1-2-Anschluß wird zum VIDEO MONITOR OUT-Anschluß und zum VIDEO VCR 2-1 REC-Anschluß ausgegeben. Das AUDIO-Signal von der Audio-signalquelle wird von den Lautsprechern oder dem Kophörer gehört und wird zum AUDIO, VCR 2 REC-Anschluß ausgegeben. Auf diese Weise kann ein Videorekorder SOUND- und VISUAL-Signale von verschiedenen Signalquellen aufnehmen.

4 Akustikerweiterung-Taste (ACOUSTIC EXPANDER)

Wenn diese Taste gedrückt wird, leuchtet die ACOUSTIC EXPANDER-Anzeige. Dann wird das Klangbild erweitert, Monosignale erhalten einen Stereoeffekt und Stereosignale klingen noch besser.

Hinweise:

- Bei Verwendung eines Mono-Videorekorders den linken und rechten Verteiler (Mono-L und R) zum Anschließen der rechten und linken Anschlüsse verwenden.
- Der Klangeffekt mit Akustikerweiterung kann nicht aufgenommen werden.

5 Lautstärke-Aufwärts/Abwärts-Tasten (VOLUME DOWN/UP)

Diese Tasten dienen zur Einstellung der Lautstärke der Lautsprecher und des Kopfhörers. Durch Drücken der UP-Taste wird die Lautstärke um eine Stufe erhöht und durch Drücken der DOWN-Taste um eine Stufe gesenkt. Die Lautstärke wird von der VOLUME-Anzeige angezeigt. Wird eine dieser Tasten gedrückt gehalten, wird die Lautstärke fortlaufend erhöht bzw. gesenkt.

6 Dämpfung-Taste (MUTE)

Durch Drücken dieser Taste leuchtet die MUTE-Anzeige, und der Klang wird augenblicklich gedämpft. Durch erneutes Drücken dieser Taste oder der BALANCE- oder VOLUME-Taste wird der vorige Lautstärkepegel wieder hergestellt.

RX-550VBK
RX-550VLBK

SPECIFICATIONS

AMPLIFIER SECTION

Output power	: 60 watts per channel, min. RMS, both channels driven, into 8 ohms from 20 Hz to 20kHz, with no more than 0.007% total harmonic distortion.	
	70 watts per channel, min. RMS, both channels driven, into 8 ohms from 40 Hz to 20 kHz, with no more than 0.2% total harmonic distortion.	
	65 watts per channel, min. RMS, both channels driven, into 8 ohms at 1 kHz (DIN).	
	60 watts per channel, min. RMS, both channels driven, into 8 ohms at 1 kHz with no more than 0.003% total harmonic distortion.	
Total harmonic distortion	: 0.003% at 60 watts (1 kHz, 8 ohms)	
Intermodulation distortion	: 0.007% at 60 watts	
Damping factor	: 40 at 8 ohms, 1 kHz	
Input sensitivity/impedance		
PHONO	: 2.5 mV/47 kohms	
CD	: 220 mV/45 kohms	
TAPE 1 PLAY		
TAPE 2 PLAY		
VCR 1. PLAY		
VCR 2. PLAY		
Recording output level	: 220 mV	
Frequency response		
PHONO (RIAA equalization)	: 20 Hz — 20 kHz, +0.5 dB, -0.5 dB	
CD	: 5 Hz — 50 kHz, +0 dB, -1 dB	
TAPE 1 PLAY		
TAPE 2 PLAY		
VCR 1. PLAY		
VCR 2. PLAY		
S.E.A. graphic equalizer		
Center frequencies	: 63 Hz, 160 Hz, 400 Hz, 1 kHz, 2.5 kHz, 6.3 kHz, 16 kHz	
Control range	: +10 dB ±1 dB -10 dB ±1 dB	
Signal-to-noise ratio		
PHONO	: 71 dB 66 dB (DIN) (66 IHF) 78 dB (78 IHF) (Rec out)	
CD	: 100 dB 67 dB (DIN) (66 IHF)	
TAPE 1 PLAY		
TAPE 2 PLAY		
VCR 1 PLAY		
VCR 2 PLAY		

TECHNISCHE DATEN

VERSTÄRKERTEIL

Ausgangsleistung	: 60 Watt pro Kanal, min. eff., beide Kanäle angesteuert auf 8 Ohm für 20 Hz bis 20 kHz mit nicht mehr als 0.007% Klirrfaktor.	
	70 Watt pro Kanal, min. eff., beide Kanäle angesteuert auf 8 Ohm für 40 Hz bis 20 kHz mit nicht mehr als 0.2% Klirrfaktor.	
	65 Watt pro Kanal, min. eff., beide Kanäle angesteuert auf 8 Ohm bei 1 kHz (DIN).	
	60 Watt pro Kanal, min. eff., beide Kanäle angesteuert auf 8 Ohm bei 1 kHz mit nicht mehr als 0.003% Klirrfaktor.	
Klirrfaktor	: 0.003% bei 60 Watt (1 kHz, 8 Ohm) : 0.007% bei 60 Watt	
Intermodulations-Verzerrung	: 0.007% bei 60 Watt	
Dämpfungsfaktor	: 40 bei 8 Ohm, 1 kHz	
Eingangsempfindlichkeit/Impedanz		
PHONO	: 2.5 mV/47 kOhm	
CD	: 220 mV/45 kOhm	
TAPE 1 PLAY		
TAPE 2 PLAY		
VCR 1 PLAY		
VCR 2 PLAY		
Aufnahmeausgangsspegel	: 220 mV	
Frequenzgang		
PHONO	: 20 Hz — 20 kHz, +0.5 dB, (RIAA-Entzerrung) -0.5 dB	
CD	: 5 Hz — 50 kHz, +0 dB, -1 dB	
TAPE 1 PLAY		
TAPE 2 PLAY		
VCR 1 PLAY		
VCR 2 PLAY		
S.E.A. Graphic Equalizer		
Mittelfrequenzen	: 63 Hz, 160 Hz, 400 Hz, 1 kHz, 2.5 kHz, 6.3 kHz, 16 kHz	
Regelbereich	: +10 dB ±1 dB -10 ±1 dB	
Signal/Rauschabstand		
PHONO	: 71 dB 66 dB (DIN) (66 IHF) 78 dB (78 IHF) (Aufnahmeausgang)	
CD	: 100 dB 67 dB (66 IHF) (DIN)	
TAPE 1 PLAY		
TAPE 2 PLAY		
VCR 1 PLAY		
VCR 2 PLAY		

RX-550VBK
RX-550VLBK

FM TUNER SECTION

	IHF	DIN (Für Europa)
Tuning range:	87.5 MHz — 108.0 MHz	87.5 MHz — 108.0 MHz
Usable sensitivity	: Mono 10.8 dBf 0.95 μ V/ 75 ohms 1.9 μ V/ 300 ohms	—
26 dB quieting sensitivity		1.5 μ V/ 75 ohms 3 μ V/ 300 ohms
50 dB quieting sensitivity	: Mono 16.3 dBf (1.8 μ V/ 75 ohms 3.6 μ V/ 300 ohms) Stereo 38.3 dBf (22.5 μ V/ 75 ohms 45 μ V/ 300 ohms)	—
S/N 46 dB stereo sensitivity	: —	Stereo 23 μ V/ 75 ohms
Signal-to-noise ratio (at 98 MHz 85 dBf)	: Mono 82 dB (IHF-A)	Mono 72 dB Stereo 64 dB (weighted)
Total harmonic distortion (1 kHz)	: Mono 0.15% Stereo 0.2%	Mono 0.1% Stereo 0.3%
Frequency response	: 30 Hz — 15 kHz, +0.5 dB, -3 dB	
Capture ratio	: 1.5 dB	
Selectivity	: 60 dB \pm 400 kHz	55 dB \pm 300 kHz
Image response ratio	: 56 dB at 98 MHz	
IF response ratio	: 85 dB at 98 MHz	
Stereo separation	: 40 dB at 1 kHz	40 dB at 1 kHz

UKW-TUNERTEIL

	IHF	DIN (Für Europa)
Einstellbereich	: 87,5 MHz — 108,0 MHz	87,5 MHz — 108,0 MHz
Nutzbare Emp- findlichkeit	: Mono 10,8 dBf 0,95 μ V/ 75 Ohm 1,9 μ V/ 300 Ohm	—
26 dB Empfind- lichkeitsschwelle		1,5 μ V/ 75 Ohm 3 μ V/ 300 Ohm
50 dB Empfind- lichkeitsschwelle	: Mono 16,3 dBf (1,8 μ V/ 75 Ohm 3,6 μ V/ 300 Ohm) Stereo 38,3 dBf (22,5 μ V/ 75 Ohm 45 μ V/ 300 Ohm)	—
Stereo-Empfind- lichkeit für Signal/Rausch- abstand 46 dB	: —	Stereo 23 μ V/ 75 Ohm
Signal/Rausch- abstand (bei 98 MHz 85 dBf)	: Mono 82 dB (IHF-A)	Mono 72 dB Stereo 64 dB (bewertet)
Kirrfaktor (1 kHz)	: Mono 0,15% Stereo 0,2%	Mono 0,1% Stereo 0,3%
Frequenzgang	: 30 Hz — 15 kHz, +0,5 dB, -3 dB	
Einfangverhältnis Selektion	: 1,5 dB 60 dB, \pm 400 kHz	55 dB, \pm 300 kHz
Spiegelfrequenz- dämpfung	: 56 dB bei 98 MHz	
ZF-Dämpfung	: 85 dB bei 98 MHz	
Stereokanal- Trennung	: 40 dB bei 1 kHz	40 dB bei 1 kHz

RX-550VBK
RX-550VLBK

AM TUNER SECTION

MW	EIA
Tuning range	522 kHz — 1,629 kHz Channel space 9 kHz 530 kHz — 1,630 kHz Channel space 10 kHz 530 kHz — 1,710 kHz (For U.S.A. and Canada)
Sensitivity	Loop antenna: 300 $\mu\text{V}/\text{m}^*$ External antenna: 30 μV^*
Signal-to-noise ratio	50 dB* (100 mV/m)
Selectivity	38 dB, ± 10 kHz 35 dB, ± 9 kHz*
Image response ratio	40 dB*
IF response ratio	60 dB
Total harmonic distortion	0.5%* (100mV/m)
LW (RX-550VLBK only)	
Tuning range	144 kHz — 353 kHz
Sensitivity	Loop antenna : 600 $\mu\text{V}/\text{m}$ at 245 kHz External antenna : 100 μV at 245 kHz
Signal to noise ratio (100 mV/m)	50 dB at 245 kHz
Selectivity	40 dB ± 9 kHz at 245 kHz

VIDEO SECTION

Output signal level	1 Vp-p (at 1 Vp-p input)
INPUT impedans	75 ohms unbalanced
OUTPUT impedans	75 ohms unbalanced
Synchronization	Negative
Signal-to-noise ratio	45 dB
Crosstalk	45 dB (3.58 MHz)

Design and specifications subject to change without notice.

* Measured at 1,000 kHz or 999 kHz.

AM-TUNERTEIL

MW	EIA
Einstellbereich	522 kHz — 1629 kHz Kanalabstand 9 kHz 530 kHz — 1630 kHz Kanalabstand 10 kHz 530 kHz — 1710 kHz (Für U.S.A. und Kanada)
Empfindlichkeit	Rahmenantenne: 300 $\mu\text{V}/\text{m}^*$ Außenantenne: 30 μV^*
Signal/Rauschabstand	50 dB* (100 mV/m)
Selektivität	38 dB, ± 10 kHz 35 dB, ± 9 kHz*
Spiegelfrequenzdämpfung	40 dB*
ZF-Dämpfung	60 dB
Klirrfaktor	0.5%* (100mV/m)
LW (nur RX-550VLBK)	
Einstellbereich	144 kHz — 353 kHz
Empfindlichkeit	Rahmenantenne : 600 $\mu\text{V}/\text{m}$ bei 245 kHz Außenantenne : 100 μV bei 245 kHz
Signal/Rauschabstand (100 mV/m)	50 dB bei 245 kHz
Selektivität	40 dB ± 9 kHz bei 245 kHz

VIDEO-TEIL

Ausgangssignalepegel	1 Vs-s (bei 1 Vs-s Eingang)
EINGANGS-Impedanz	75 Ohms unsymmetrisch
AUSGANGS-Impedanz	75 Ohms unsymmetrisch
Synchronisation	Negativ
Störspannungsabstand	45 dB
Übersprechdämpfung	45 dB (3.58 MHz)

Technische Änderungen vorbehalten!

* Gemessen bei 1.000 kHz oder 999 kHz.

DIMENSIONS AND WEIGHT

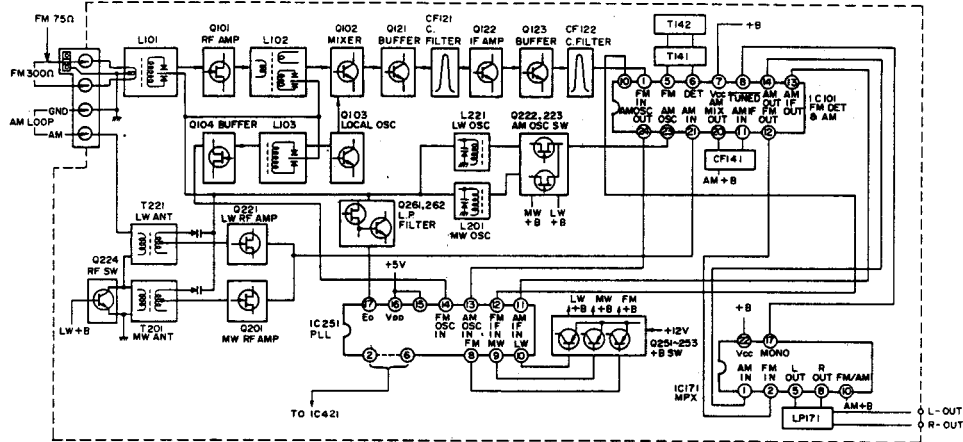
Dimensions			Weight
Width	Height	Depth	
435 mm 17-3/16"	117 mm 4-5/8"	329.5 mm 13"	7.8 kg 17.2 lbs.

POWER SPECIFICATIONS

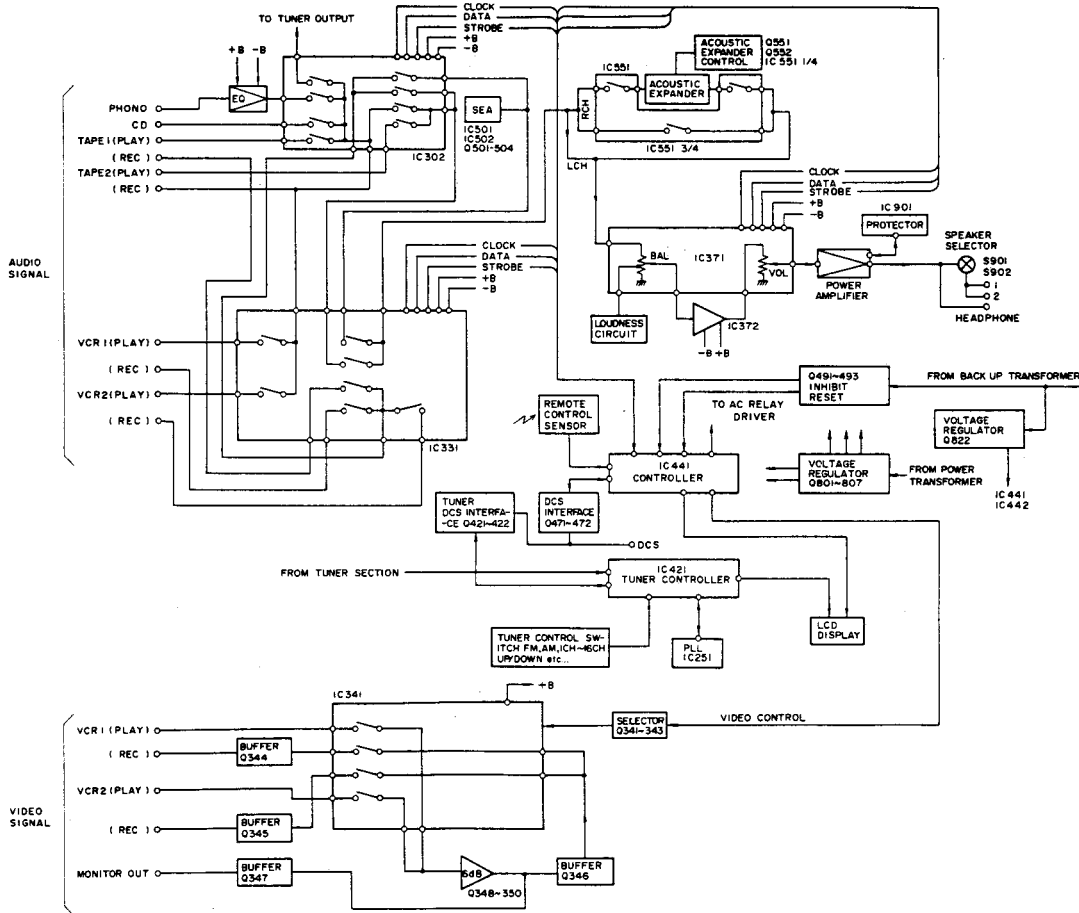
Areas	Line voltage & frequency	Power consumption
U.S.A.	AC 120 V \sim , 60 Hz	300 watts
Canada		380 VA
Continental Europe	AC 220 V \sim , 50 Hz	200 watts
U.K.	AC 240 V \sim , 50 Hz	200 watts
Australia		
Other areas	AC 110/120/220/240 V \sim selectable, 50/60 Hz	250 watts

1. Block Diagram

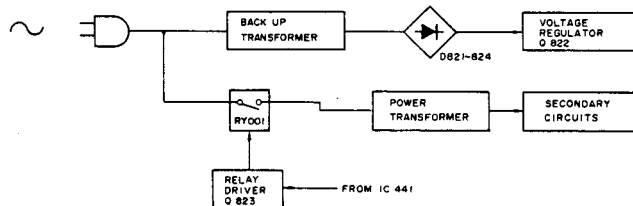
■ Tuner Section



■ Control and Amplifier Section

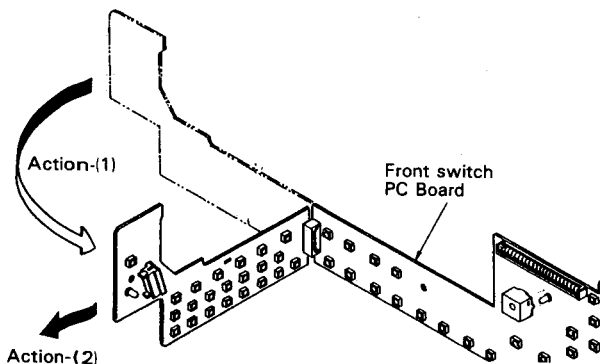
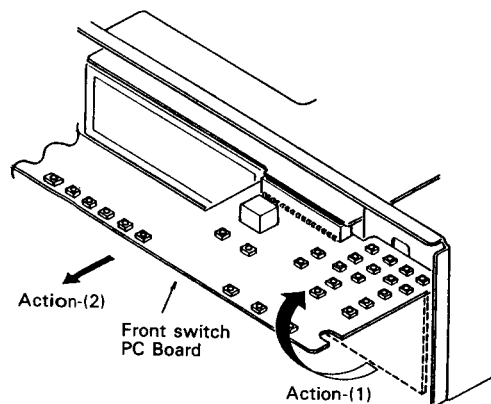
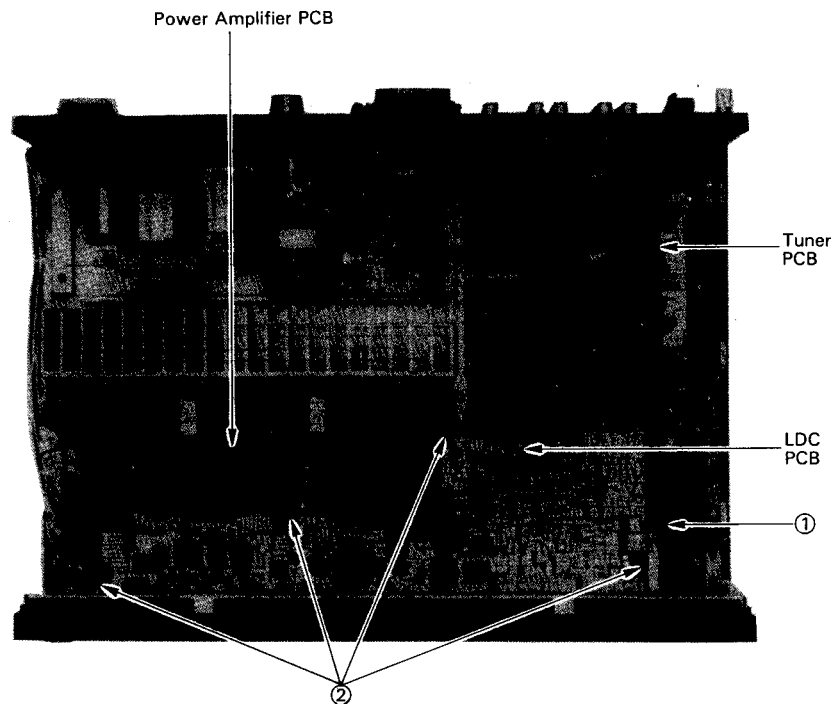


■ Power Supply Section



RX-550VBK
RX-550VLBK

2. Removal Procedures



2-(1) Removal of Top Cover

1. Remove four screws on both sides.
2. Remove two screws on the rear panel.
3. Lift up the rear-end of the top cover and take it out.

2-(2) Removal of Front Panel

1. Put out three plastic rivets securing the front panel from the top.
2. Remove three screws securing the front panel from the bottom.

2-(3) Removal of Tuner PCB

1. Remove two screws securing the antenna terminal on the rear panel.
2. Loosen the screws securing the rear panel.
3. Pull out a plastic rivet ① securing the tuner PCB.
4. Pull up the tuner PC Board and take it out from the connector.

2-(4) Removal of Front Switch PCB

1. Remove the front panel. (See above item (2).)
2. Pull out three plastic rivets securing the front switch PCB from the front side.
3. Lift up the bottom-end of the front switch PCB and pull it out toward you from the connector. (See above figure.)

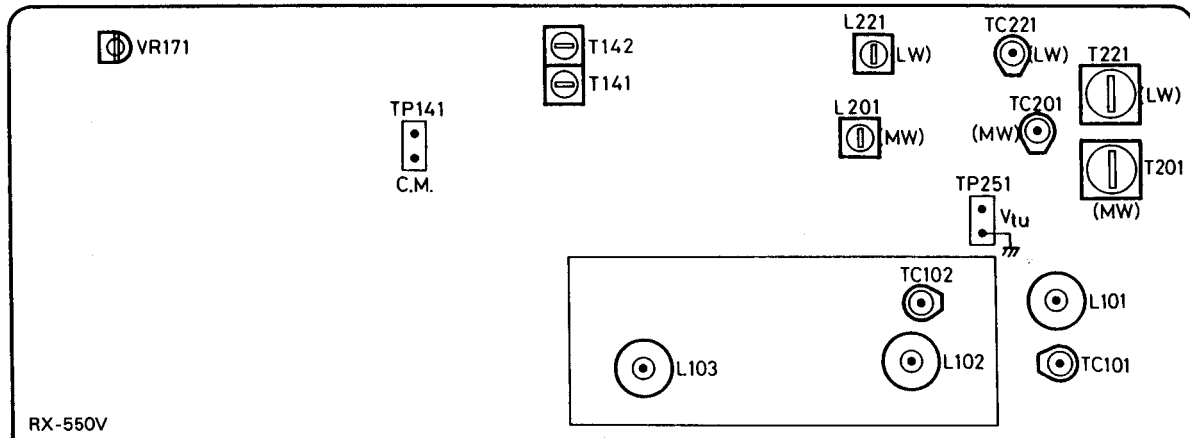
2-(5) Removal of LCD PCB

1. Remove the front switch PCB. (See above item (4).)
2. Pull out four plastic rivets ② securing the LCD PCB.

2-(6) Removal of Power Transistor

1. Demount the bottom cover by removing ten screws from the bottom.
2. Resolder the pins of power transistors.
3. Remove the screw securing the heat-sink by a bended screwdriver.

3. FM/MW/LW Tuner Alignment Procedures



3-(1) Front-end Section

FM oscillator coil : L103

1. Set the frequency display to "108.0 MHz" and the FM MODE switch to "MONO" position.
2. Confirm that the noise occurs in the condition of no signal input.
3. Adjust L103 so that the output of test point "TP251" becomes $8.3 \text{ V} \pm 0.1 \text{ V}$.
4. Set the frequency display to "87.5 MHz" and confirm that the output of test point "TP251" is $1.8 \text{ V} \pm 0.3 \text{ V}$.

FM antenna coil : L101, L102

5. Adjust L101 and L102 to obtain the maximum sensitivity at 89.9 MHz.

FM antenna trimmer : TC101, TC102

6. Adjust TC101 and TC102 to obtain the maximum sensitivity at 105.9 MHz.
7. Repeat the above adjustments of L101, L102, TC101 and TC102.

3-(2) IF, Detection and MPX

FM detector coil : T141, T142

1. Connect a center-meter or a digital voltmeter to test point "TP141", and tune in a 100.1 MHz signal (1 kHz modulation, 75 kHz or 40 kHz deviation) in the condition of SSG ATT 70dB.
2. Adjust T141 so that the center-meter indicates "0" or the digital voltmeter reads $0 \text{ mV} \pm 1.5 \text{ mV}$.
3. At the same time, adjust T142 so that the distortion of audio output is minimized.

Stereo Separation : VR171 (for Continental Europe, U.K. and Australia)

1. Tune in a 98.1 MHz stereo signal.
2. Adjust VR171 so that the channel separation becomes maximum.

3-(3) LW Section

LW oscillator coil : L221

1. Set the frequency display to 144 kHz.
 2. Adjust L221 to obtain $1.0 \text{ V} \pm 0.1 \text{ V}$ at test point "TP251".
 3. Set the frequency display to 353 kHz and confirm that the output of test point "TP251" is $7.2 \text{ V} \pm 1.2 \text{ V}$.
- Note: If its output is over 9 V at 353 kHz, adjust L221 to obtain 9.0 V.

LW antenna coil : T221

4. Connect a loop antenna to the "AM LOOP" terminal on the rear panel.
5. Adjust T221 to obtain the best receiving sensitivity on 164 kHz.

LW antenna trimmer : TC221

6. Adjust TC221 to obtain the best receiving sensitivity on 353 kHz.
7. Repeat the above adjustments of T221, TC221.

Note: After this alignment, confirm the MW section alignment.

3-(4) MW Section

MW oscillator coil : L201

1. Set the frequency display to (522 kHz or 531 kHz) and confirm that the output of test point "TP251" is $1.1 \text{ V} \pm 0.2 \text{ V}$.
2. Set the frequency display to 1710 kHz (for U.S.A. only) and confirm that the output of test point "TP251" is $8.2 \text{ V} \pm 0.8 \text{ V}$.
3. Set the frequency display to 1629 kHz or 160 kHz (except for U.S.A.) and confirm that the output of test point "TP251" is $7.5 \text{ V} \pm 0.8 \text{ V}$.

MW antenna coil : T201

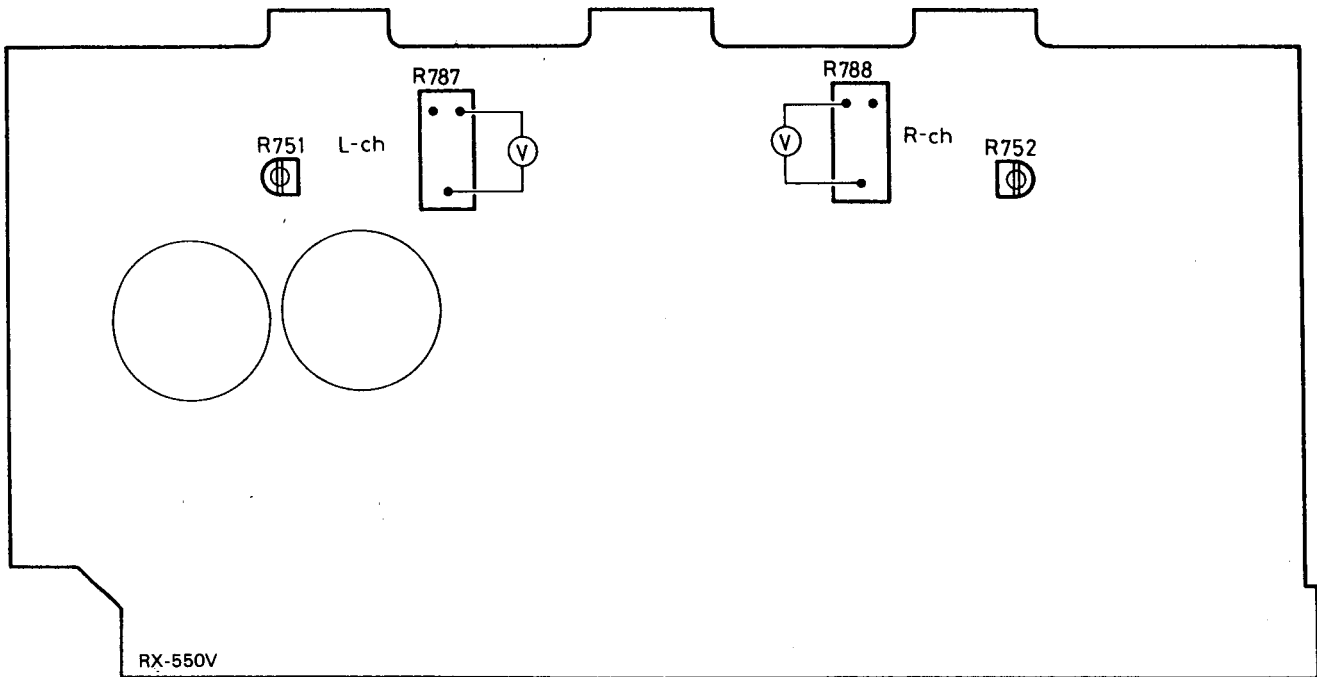
4. Connect a loop antenna to the "AM LOOP" terminal on the rear panel.
5. Adjust T201 to obtain the best receiving sensitivity on (603 kHz or 600 kHz).

MW antenna trimmer : TC201

6. Adjust TC201 to obtain the best receiving sensitivity on (1404 kHz or 1400 kHz).
7. Repeat the above adjustments of T201, TC201.

RX-550VBK
RX-550VLBK

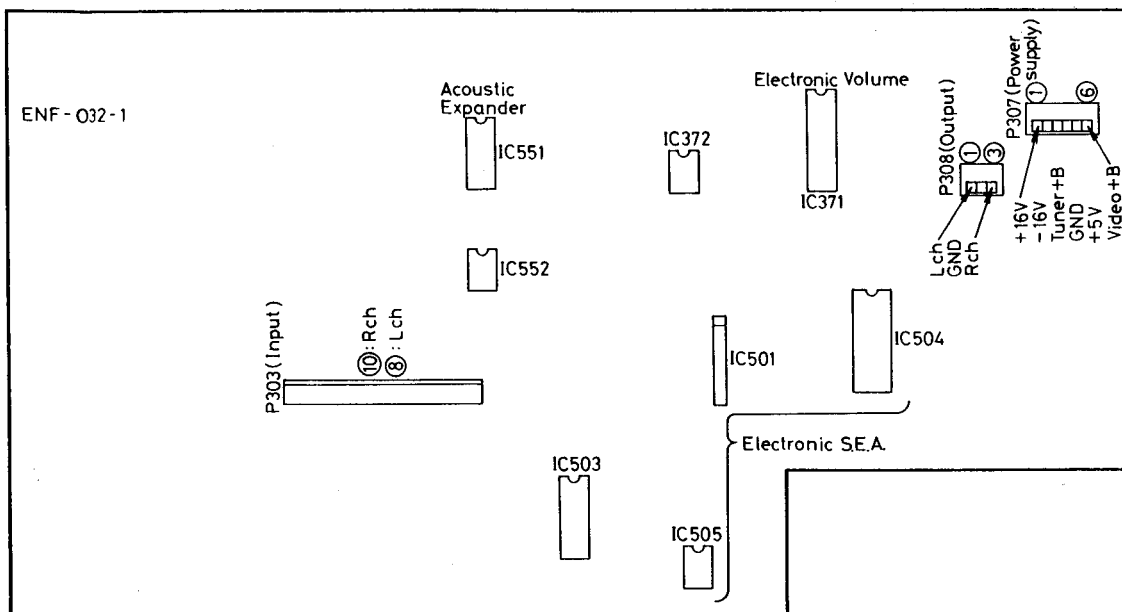
4. Power Amplifier Idling Current Adjustment



1. Turn R751 and R752 fully counterclockwise before the power switch "ON".
2. Allow the set warm up at least 5 minutes before adjustment.
3. Must keep the heat-sink to prevent overheating before adjustment.

4. Set the volume control to minimum during this adjustment.
5. Connect a digital voltmeter to R787 resistor's leads for left channel, or to R788's leads for right channel.
6. Adjust R751 for left channel, or R752 for right channel, so that the digital voltmeter reads 3 ~ 5 mV.

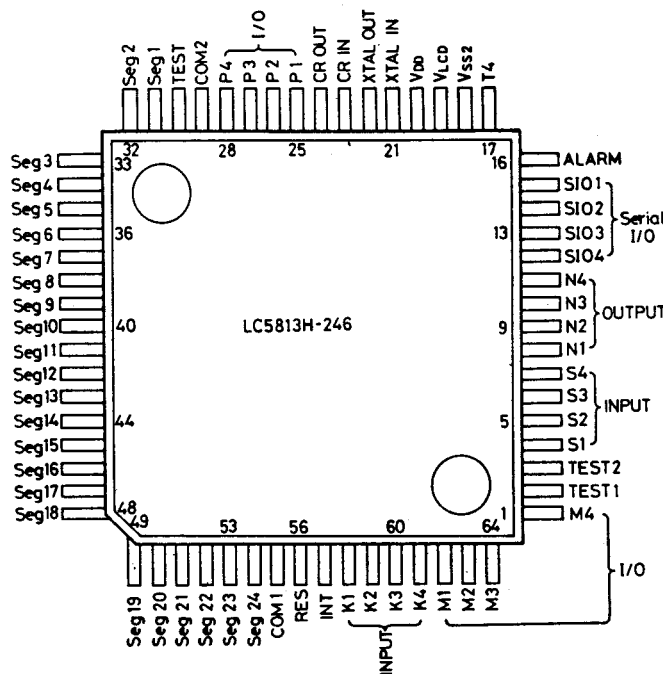
5. Function of ICs on the Pre-Amplifier PCB



1-6 (No.2976)

6. Internal Block Diagrams of Major LSI, ICs

IC421: LC5813H-246

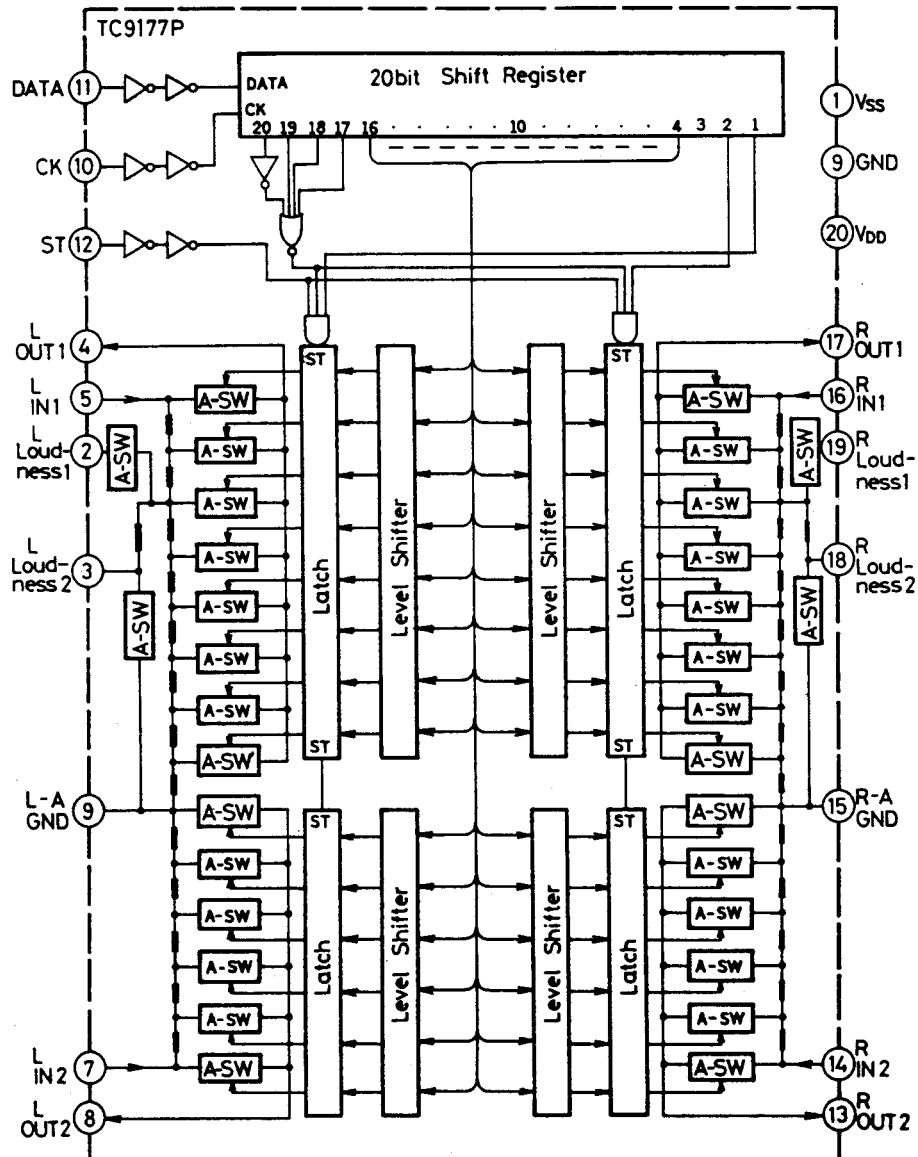


IC421: LC5813H-246

Pin No.	Symbol	Name	I/O	Terminal Function
1	M4	M4	O	Key output
2	TEST 1	TEST 1	---	Not used.
3	TEST 2	TEST 2	---	Not used.
4	S1	S1	I	Port for key input; Compose the key matrix with M1~M4.
5	S2	S2	I	Port for key input; Compose the key matrix with M1~M4.
6	S3	S3	I	Port for key input; Compose the key matrix with M1~M4.
7	S4	INH	I	Back-up detection
8	N1	MUTE	O	When Muting ON, output is "H".
9	N2	MONO	O	When MONO, output is "H".
10	N3	CATV	O	Display input of CATV
11	N4	POWER	O	When POWER ON, output is "L".
12	SIO4	STRQ	O	Connect the STRQ of LM7000N.
13	SIO3	CLK	O	Connect the CLK of LM7000N.
14	SIO2	DATA	O	Connect the DATA of LM7000N.
15	SIO1	CE	O	Connect the CE of LM7000N.
16	ALARM	COMPU-LINK	O	Line data output of COMPU-LINK (Positive Logic)
17	T4	T4	---	Not used.
18	VSS2	VSS2	---	GND
19	VLCD	VLCD	---	Voltage reference of LCD (Light at 0V)
20	VDD	VDD	---	+5V
21	X'tal IN	X'tal IN	---	Not used.
22	X'tal OUT	X'tal OUT	---	Not used.
23	CR IN	CR IN	---	Connect the ceramic oscillator.
24	CR OUT	CR OUT	---	Connect the ceramic oscillator.
25	P1	COMPU-LINK	I	Line data input of COMPU-LINK (Negative Logic)
26	P2	STOP IN	I	Input of "AUTO STOP"
27	P3	SIGNAL IN	I	Input of "TUNED" display
28	P4	STEREO IN	I	Input of "STEREO" display
29	COM2	COM2	O	Common 2 of LCD
30	TEST	TEST	---	Not used.
31~54	SEG1~24	SEG1~24	O	1~24 segments of LCD
55	COM1	COM1	O	Common 1 of LCD
56	RES	RES	I	Input of RESET
57	INT	INT	I	Input of Interrupt
58	K1	K1	I	Key input; Compose the key matrix with M1~M4.
59	K2	K2	I	Key input; Compose the key matrix with M1~M4.
60	K3	K3	I	Key input; Compose the key matrix with M1~M4.
61	K4	K4	I	Key input; Compose the key matrix with M1~M4.
62	M1	M1	O	Key output
63	M2	M2	O	Key output
64	M3	M3	O	Key output

RX-550VBK
RX-550VLBK

IC371: TC9177P

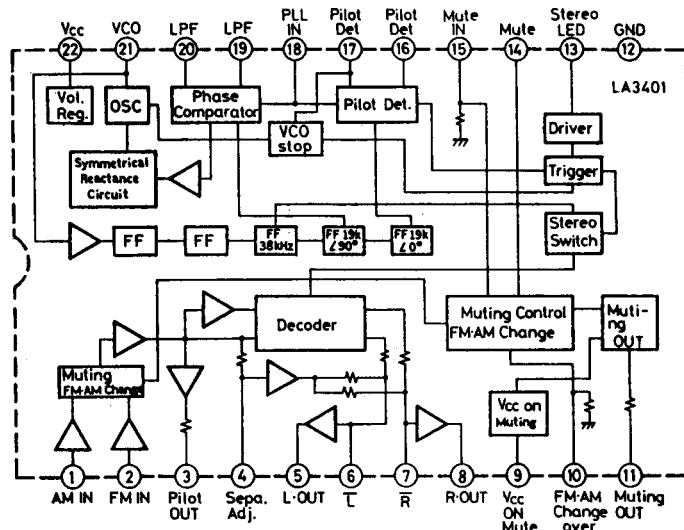


IC371: TC9177P

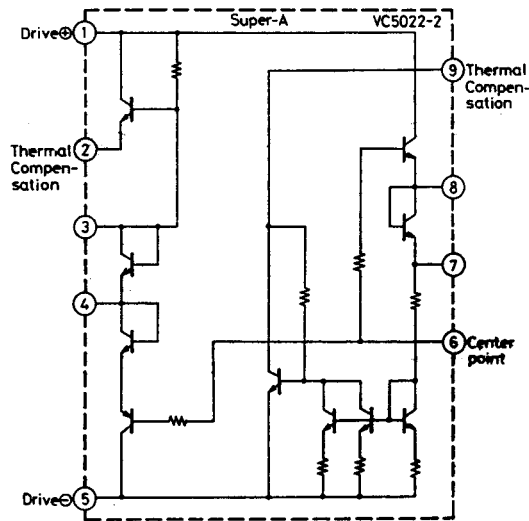
Pin No.	Symbol	Terminal Function
1	Vss	(-)Power supply
2	L-Loudness1	Terminal for Loudness (L-ch)
3	L-Loudness2	Terminal for Loudness (L-ch)
4	L-OUT1	10 dB step attenuator output
5	L-IN1	10 dB attenuator input
6	A-GND	Ground (Power supply)
7	L-IN2	2 dB attenuator input
8	L-OUT2	2 dB step attenuator output
9	GND	Ground (Signal)
10	CK	Clock input
11	DATA	Data input
12	ST	Strobe input
13	R-OUT2	2 dB step attenuator output
14	R-IN2	2 dB attenuator input
15	A-GND	Ground (Power supply)
16	R-IN1	10 dB attenuator input
17	R-OUT1	10 dB step attenuator output
18	R-Loudness2	Terminal for Loudness (R-ch)
19	R-Loudness1	Terminal for Loudness (R-ch)
20	Vdd	(+)Power supply

RX-550VBK
RX-550VLBK

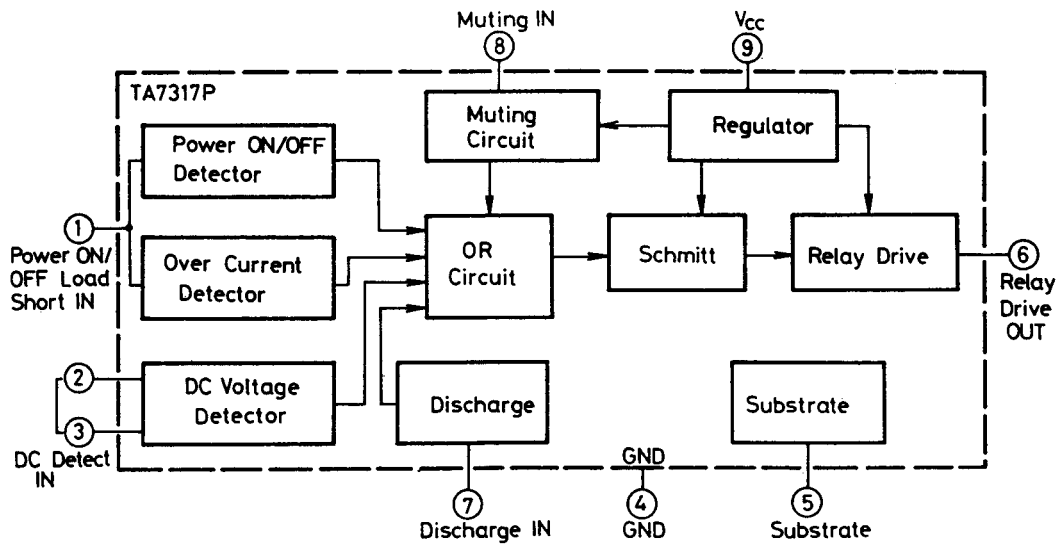
IC171: LA3401



IC751, 752: VC5022-2

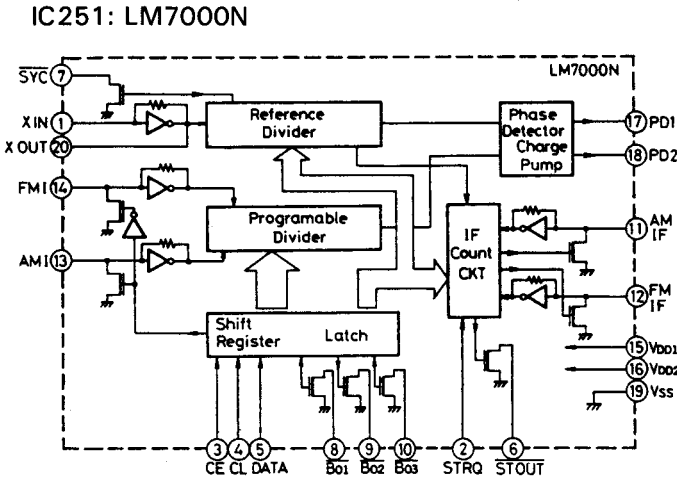


IC901: TA7317P



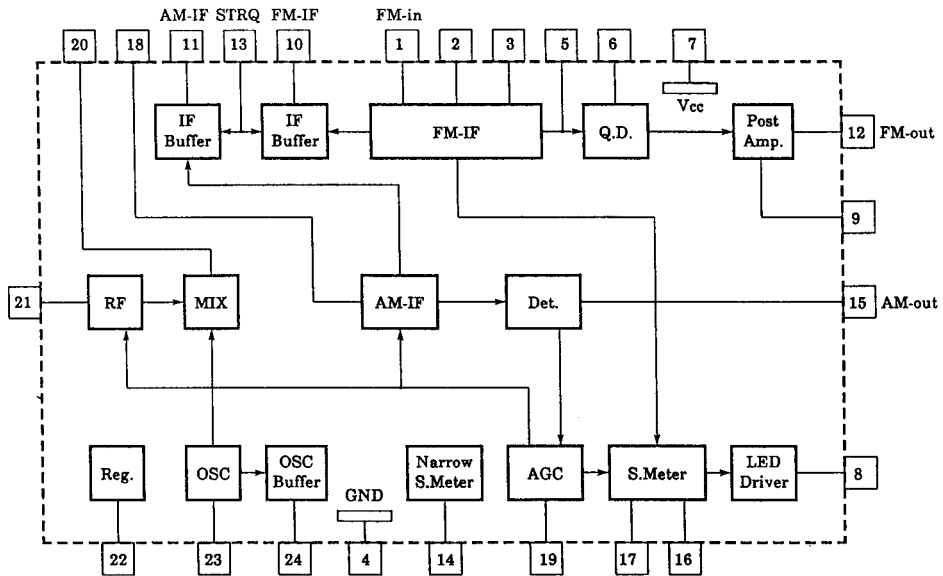
RX-550VBK
RX-550VLBK

IC251: LM7000N

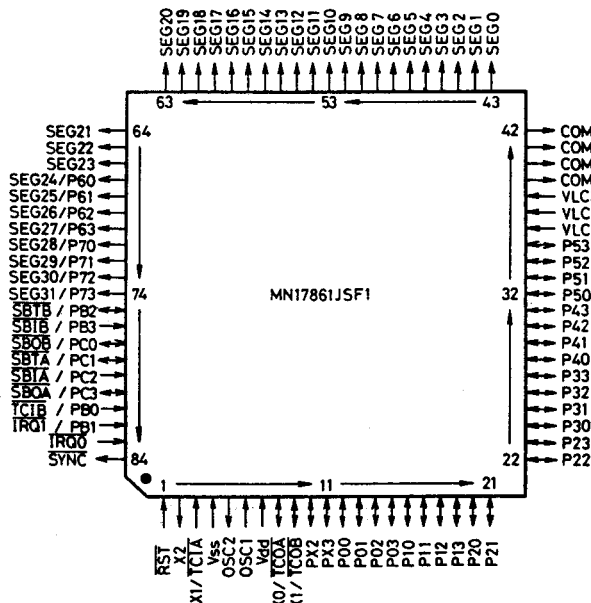


Terminal name	Terminal Function
SYC	Clock (400kHz) for controller
XIN, XOUT	Crystal oscillator (7.2 MHz) Included the feedback resistor.
FMI, AMI	Local oscillator signal input
CE, CL, DATA	Data input
B01, B02, B03	Band data output
STRQ	Request of IF counter input
STOUT	Auto-search stop signal output
Vdd1, Vdd2, Vss	Power supply (Vdd2 : for back-up)
AMIF, FMIF	IF signal input
PD1, PD2	Charge pump output

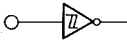
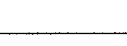
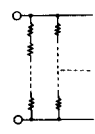
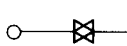
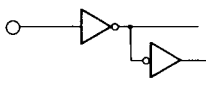
IC101: LA1266 A



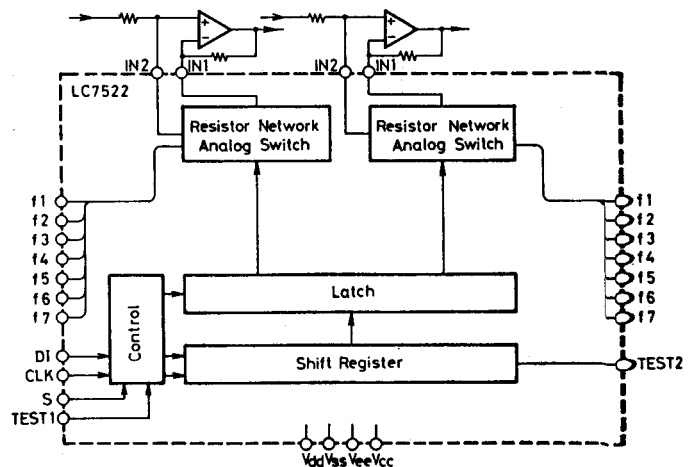
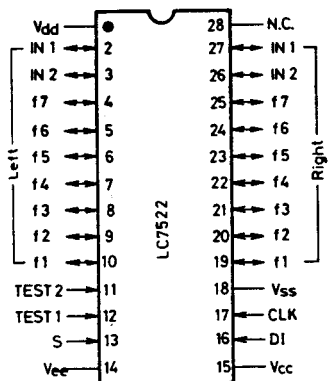
IC441: MN17861JSF1



IC504:LC7522 (Graphic Equalizer)

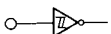

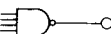
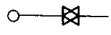
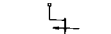
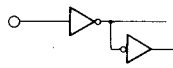
Name	Number	Terminal type	Explanation
VDD	1	—	+7V power supply for audio signal
Vref	15	—	+5V power supply for operating the microcomputer
VSS	18	—	0V
VEE	14	—	-7V power supply for audio signal
DI	16		For data input from CPU (Schmitt inverter type)
CLK	17		For clock input from CPU(Schmitt inverter type)
GND	-	—	Audio signal line GND
IN1	2,27		For audio signal input IN1 connected to the inversion input of the operation amplifier
IN2	3,26		IN2 connected to the non-inversion input of the operation amplifier Provided for both left and right channels.
f1~f7	10~4,19~25		For connection to the band pass filter f1~f7 for left and right channels (total 14)
S	13		Select terminal when using 2 chips 7C3 is connected to Vdd with key code "1" input 7C2 is connected to Vee with key code "0" input

IC504: LC7522

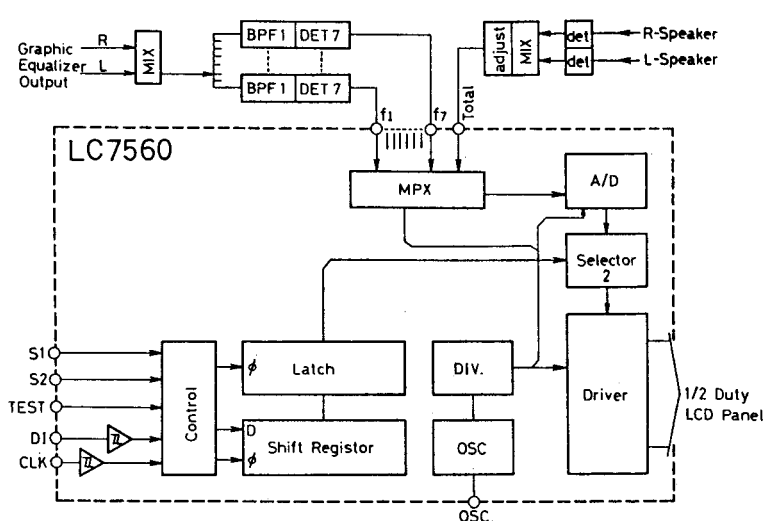
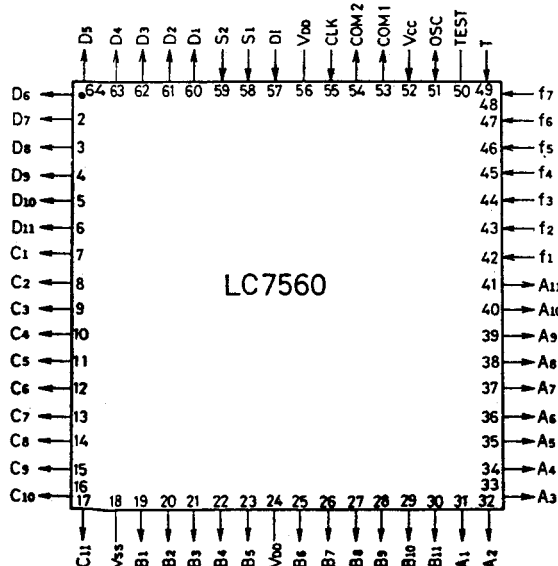


RX-550VBK
RX-550VLBK

IC401:LC7560 (L.C.Display Driver)

Name	Number	Terminal type	Explanation
VDD	24,56		+13V power supply for A/D conversion
Vcc	52	—	+5V power supply for operating the microcomputer
VSS	18		0V
DI	57		For data input from CPU (Schmitt inverter type)
CLK	55		For clock input from CPU (Schmitt inverter type)
COM1	53		Common output for LCD
COM2	54		Common output for LCD
A1~A11	31~41		Output for LCD segment (f1~f2 band)
B1~B11	19~30		Output for LCD segment (f3~f4 band)
C1~C11	7~17		Output for LCD segment (f5~f6 band)
D1~D11	60~64, 1~6		Output for LCD segment (f7 band and total display)
f1~f7	42~48		Input terminal for audio signal detection output
T	49		Input terminal for total display
			Output terminal for input signal detection
OSC	51		Output buffer (open drain type)
			External CR connection terminal for oscillator
S1	58		Chip select terminal when several (4 max.) are used.
S2	59		
			S1 S2 Key code
			1 1 FB
		0 1 FA	
		1 0 F9	
		0 0 F8	

IC401: LC7560

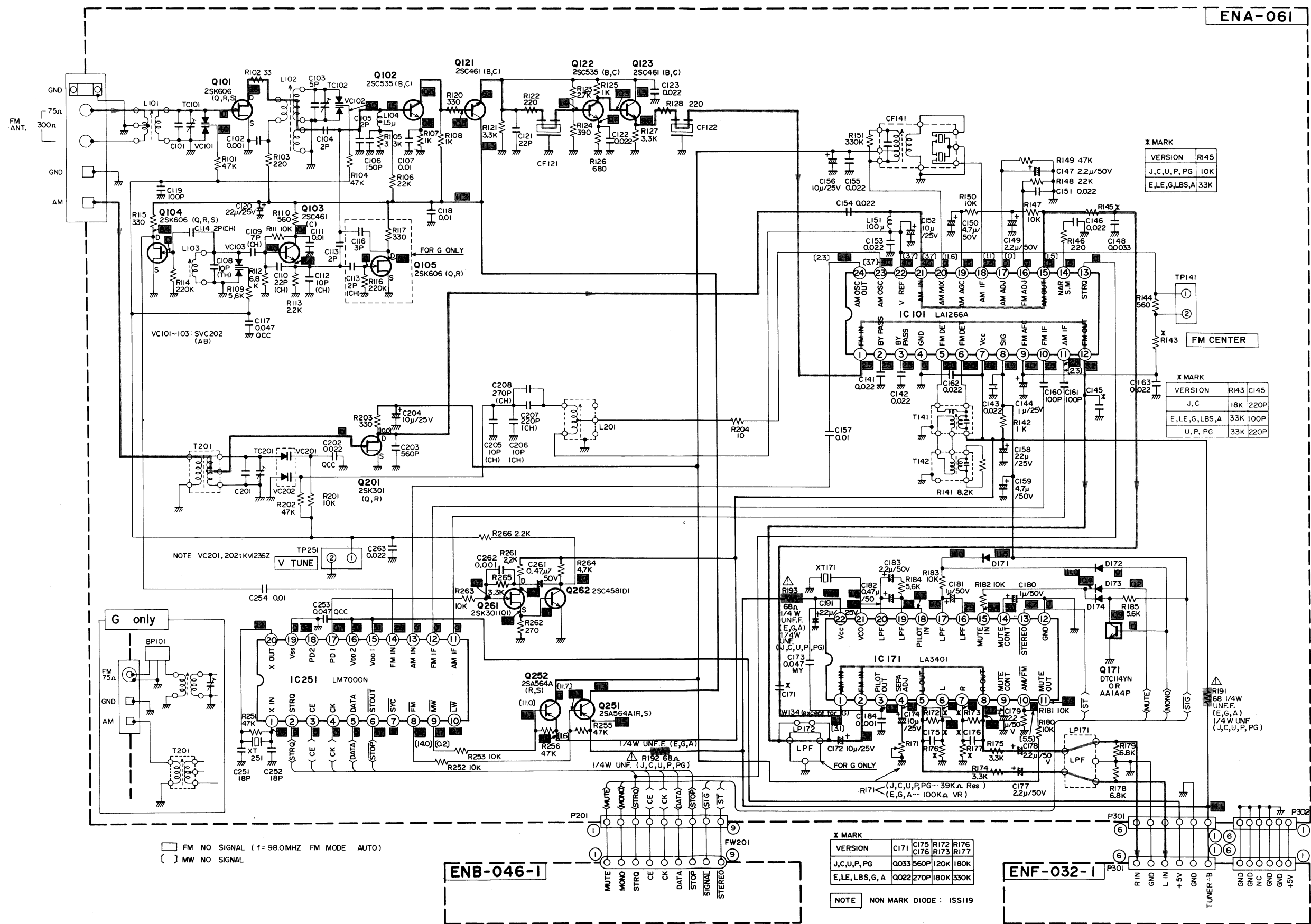


IC441 : MN17861JSF1

Pin No.	Symbol	Name	I/O	Terminal Function
1	RST	RESET	I	Reset signal input
2	X2	---	O	Not used.
3	X1/TCIA	---	I	Not used.
4	Vss	Vss	I	GND
5	OSC2	OSC2	O	Connect the ceramic resonator.
6	OSC1	OSC1	I	Connect the ceramic resonator.
7	Vdd	Vdd	I	+5V
8	PX0	TUNER MUTE	O	"L" output when tuner source is selected.
9	PX1	A-EXPANDER	O	"H" output when acoustic expander "ON".
10	PX2	Vout	O	Video switch control; "H" output when VCR2 selected.
11	PX3	STROBE	O	Connect the STROBE terminal of TC9162N, TC9164N and TC9177P.
12	P00	RM IN	I	Remote control signal input
13	P01	RECEIVED	O	Remote control received indicator output ("H" output)
14	P02	DCS IN	I	COMPU-LINK signal input
15	P03	DCS OUT	O	COMPU-LINK signal output
16~19	P10~13	KEY OUTPUT	O	Key matrix output
20	P20	KEY OUTPUT	O	Key matrix output
21	P21	KEY OUTPUT	O	Key matrix output
22	P22	KEY OUTPUT	O	Key matrix output
23	P23	KEY OUTPUT	O	Key matrix output
24	P30	KEY OUTPUT	O	Key matrix output
25~27	P31~33	KEY OUTPUT	O	Key matrix output
28, 29	P40, 41	KEY INPUT	I	Key matrix input
30	P42	SEA CK	O	Connect the CK terminal of LC7560 and LC7522.
31	P43	SEA DI	O	Connect the DI terminal of LC7560 and LC7522.
32	P50	POWER	O	AC relay drive
33	P51	---	-	Not used.
34	P52	---	-	Not used.
35	P53	LCD CONTROL	O	"L" output
36	VLC1	VLC1	I	LCD drive bias
37	VLC2	VLC2	I	LCD drive bias
38	VLC3	VLC3	I	LCD drive bias
39	COM0	COM0	O	LCD common 0
40	COM1	COM1	O	LCD common 1
41	COM2	COM2	O	Not used.
42	COM3	COM3	O	Not used.
43~53	SEG 0~10	SEG 0~10	O	LCD segment
54	SEG11	SEG11	-	Not used.
55~72	SEG 12~29	SEG 12~29	O	LCD segment
73	SEG30	SEG30	-	Not used.
74	SEG31	SEG31	-	Not used.
75	PB2	PB2	I	Key matrix input
76	PB3	PB3	I	Key matrix input
77	PC0	TEST	I	Test mode input
78	PC1	CLK	O	Connect the CLK terminal of TC9162N, TC9164N and TC9177P.
79	PC2	INH	I	INHIBIT input
80	PC3	DATA	O	Connect the DATA terminal of TC9162N, TC9164N and TC9177P.
81	PB0	PB0	I	Key matrix input
82	PB1	PB1	I	Key matrix input
83	IRQ0	IRQ0	I	INHIBIT input
84	SYNC	SYNC	O	Not used.

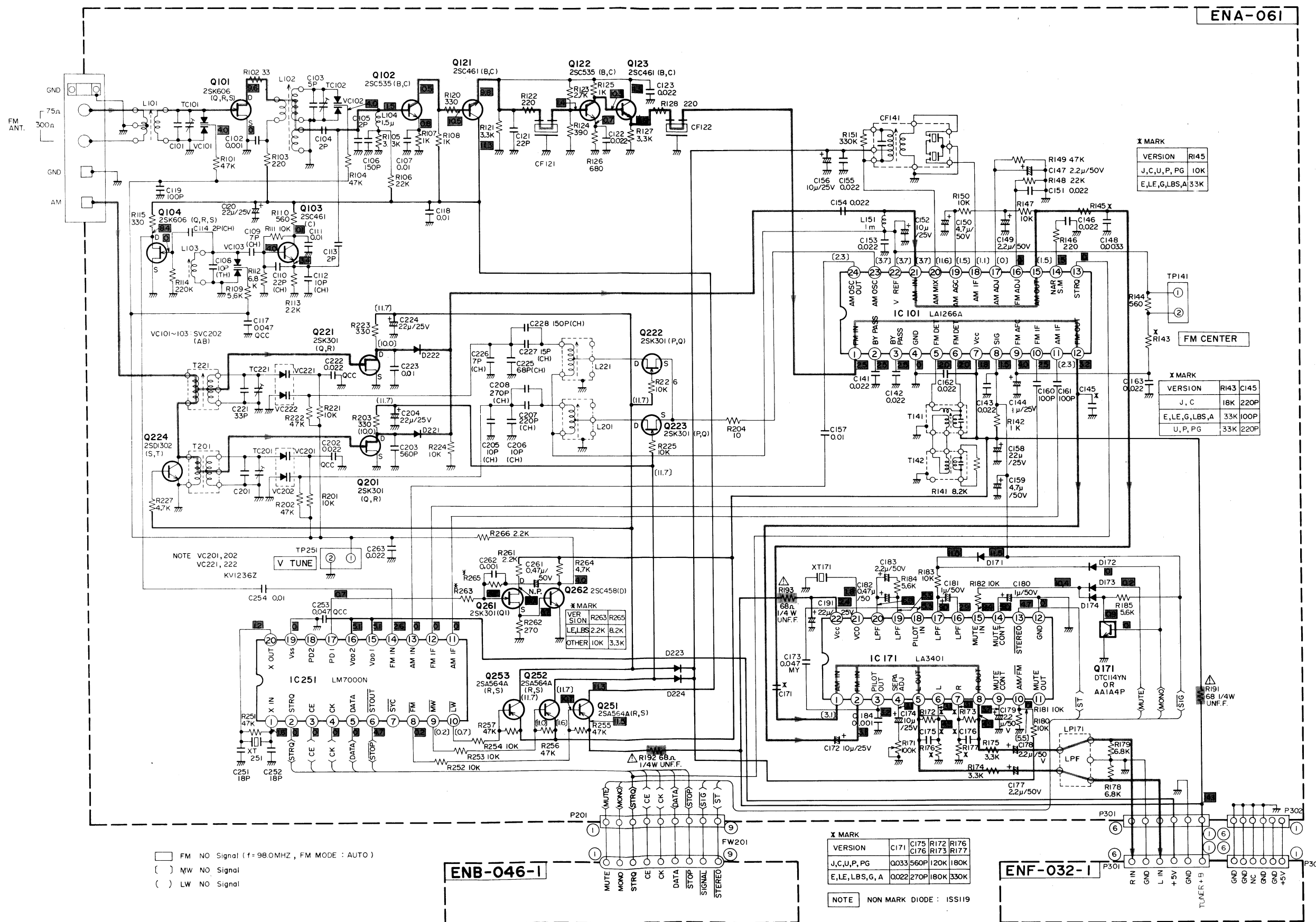
Schematic Diagrams

(1) RX-550VBK Tuner Section



RX-550VBK
RX-550VLBK

(2) RX-550VLBK Tuner Section



X MARK

VERSION	RI45
J,C,U,P,PG	10K
E,LE,G,LBS,A	33K

X MARK

VERSION	RI43	CI45
J,C	18K	220P
E,LE,G,LBS,A	33K	100P
U,P,PG	33K	220P

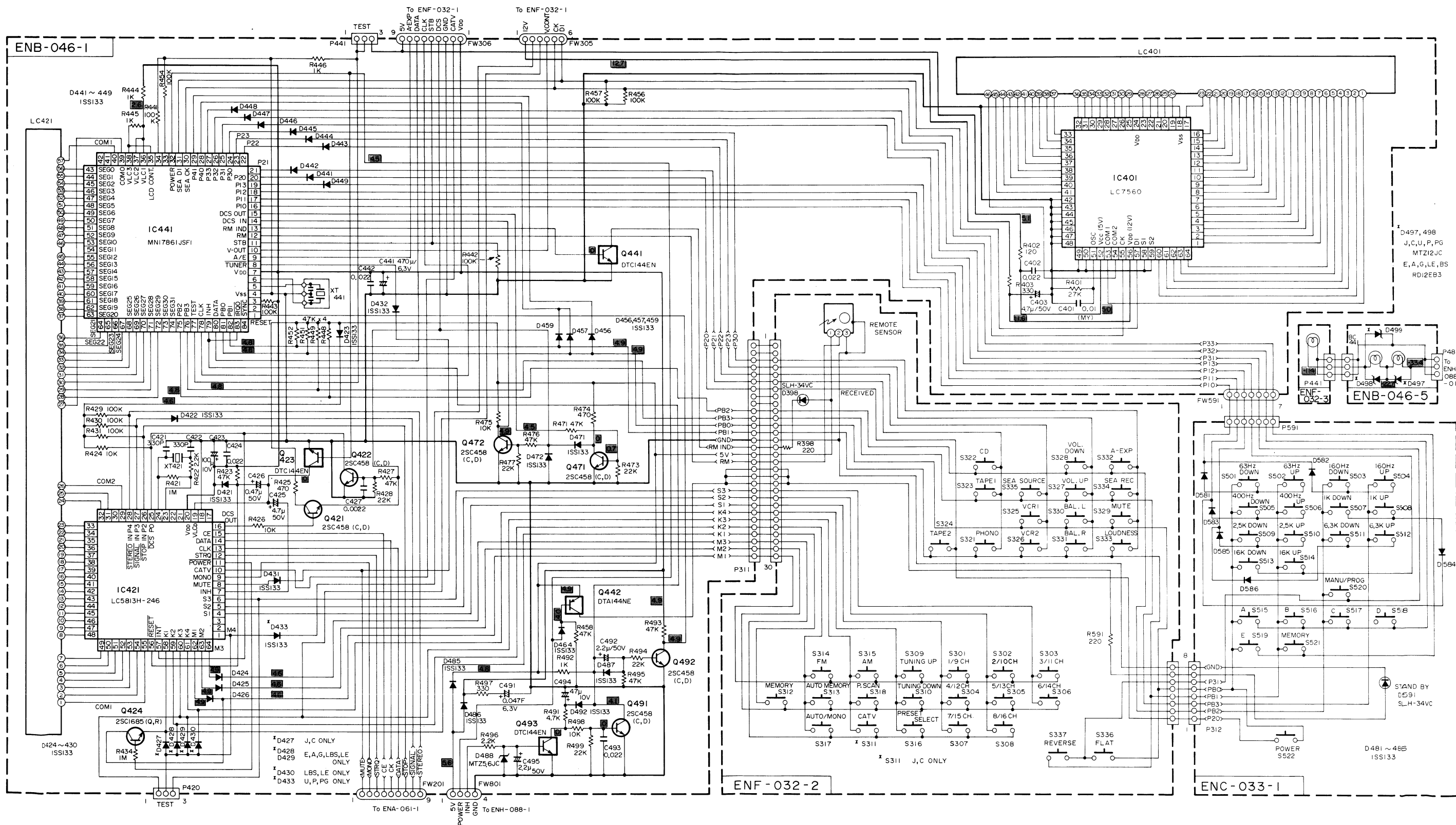
X MARK

VERSION	CI71	CI75	RI72	RI76
J,C,U,P,PG	0033	560P	120K	180K
E,LE,LBS,G,A	0022	270P	180K	330K

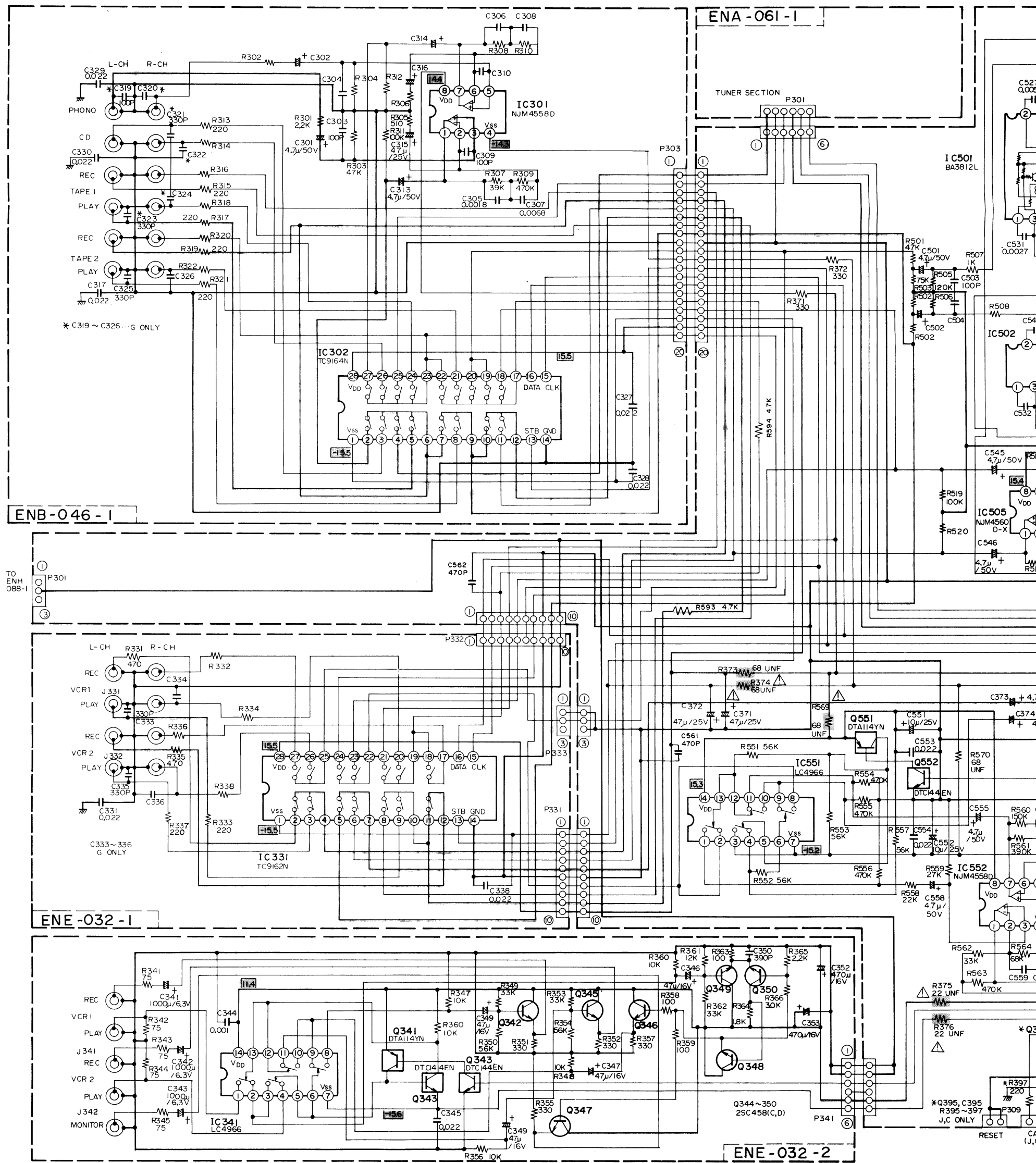
NOTE NON MARK DIODE : ISS119

(No.2976) (No.2976)

(3) Logic Section



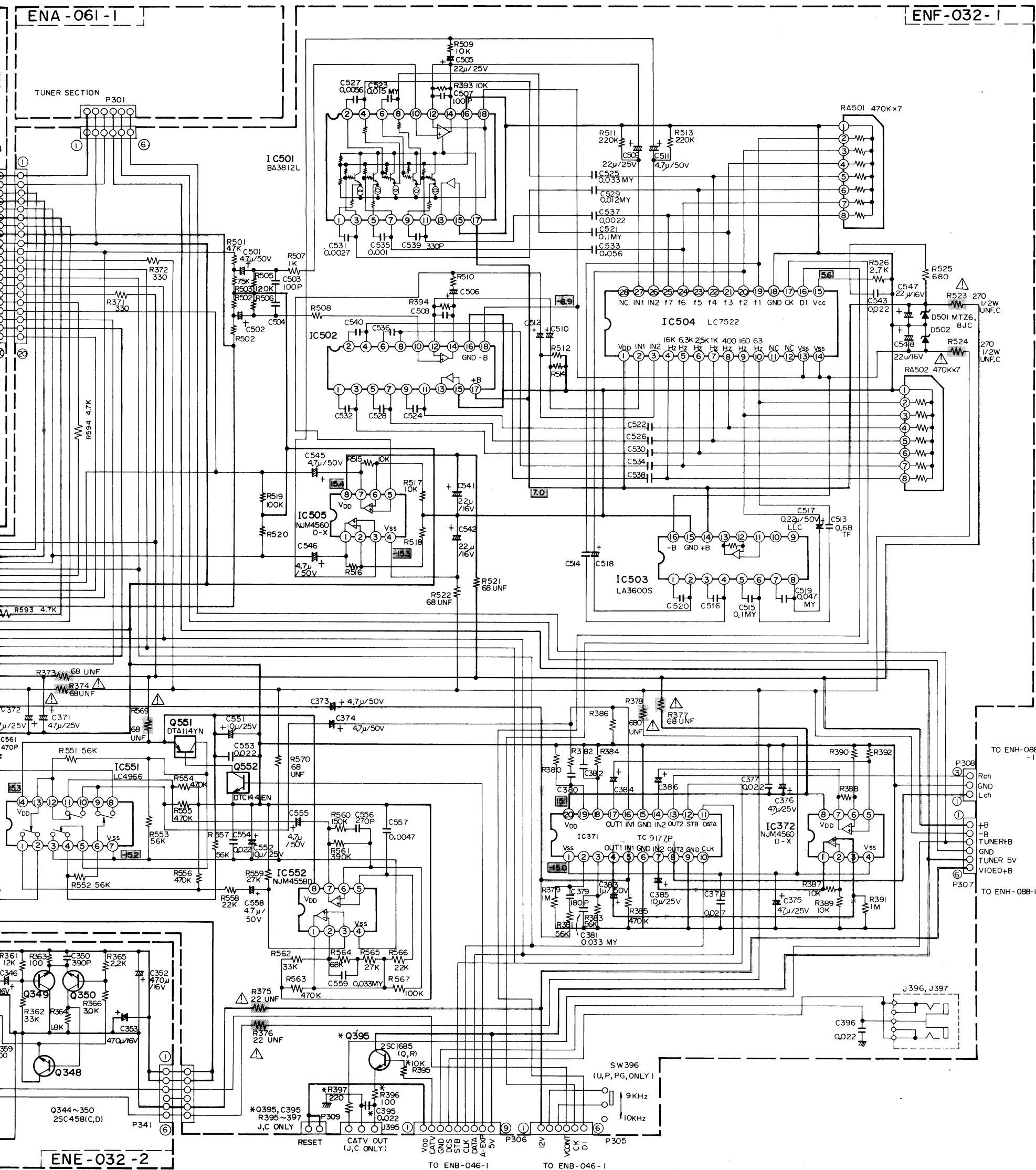
(4) Pre-Amplifier Section



Notes:

1. shows DC voltage to the chassis with no signal input.
2. indicates positive B power supply.
3. indicates negative B power supply.
4. indicates signal path.

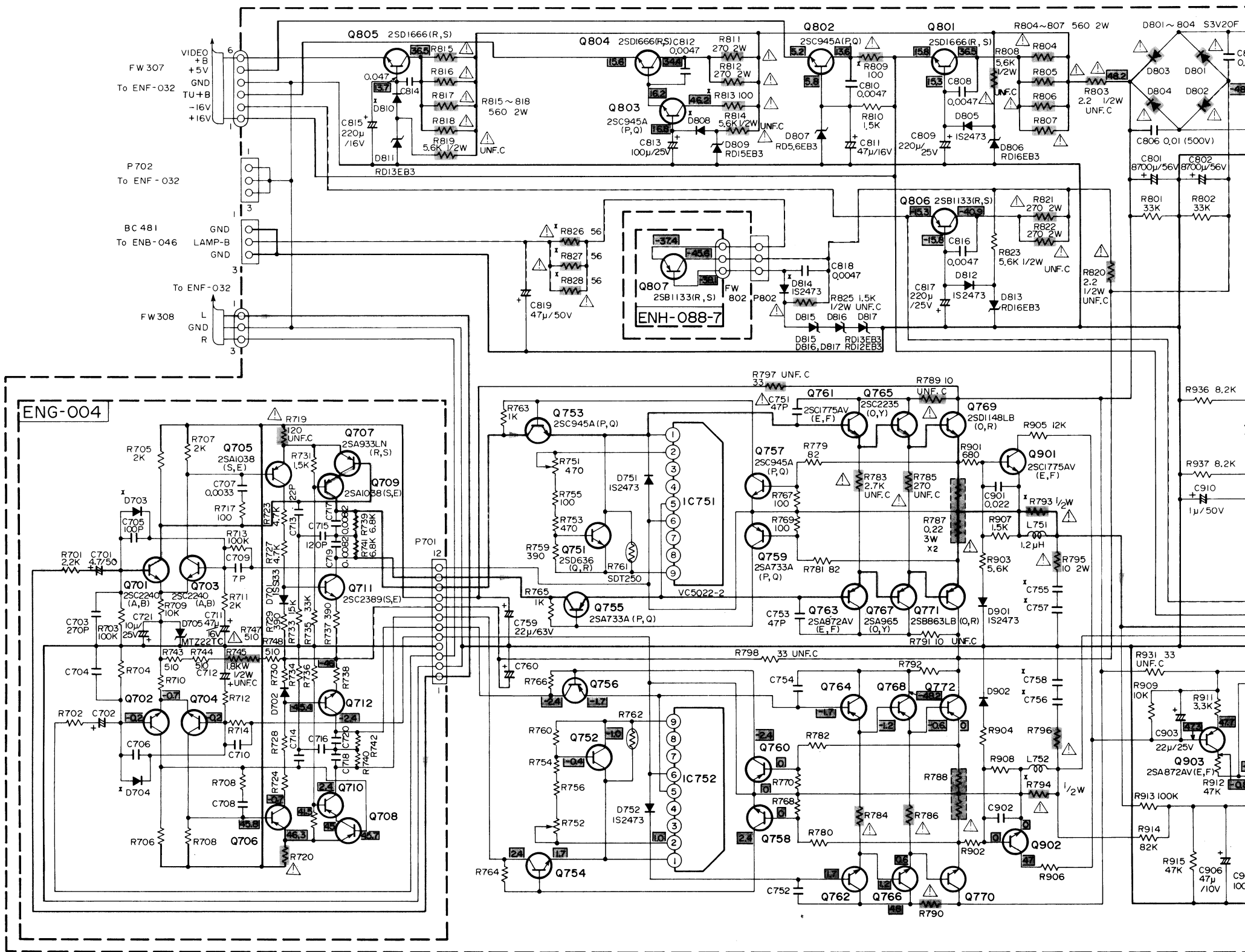
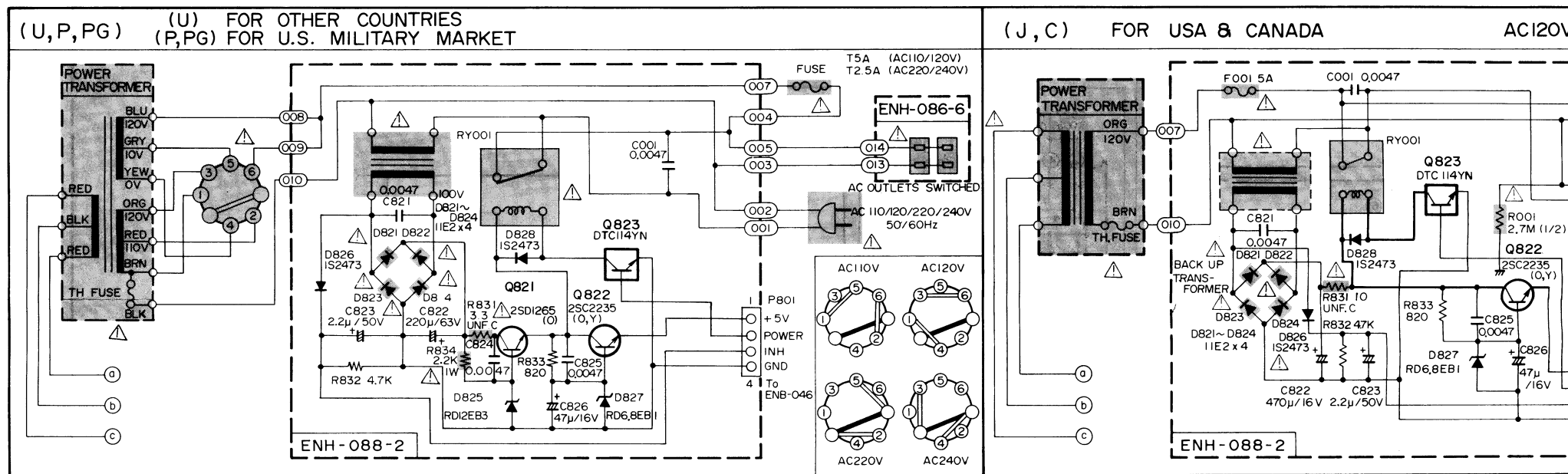
5. When replacing the parts in the darkened area () and those marked with , be sure to use the designated parts to ensure safety.
6. This is the standard circuit diagram.
The design and contents are subject to change without notice.



) and parts to

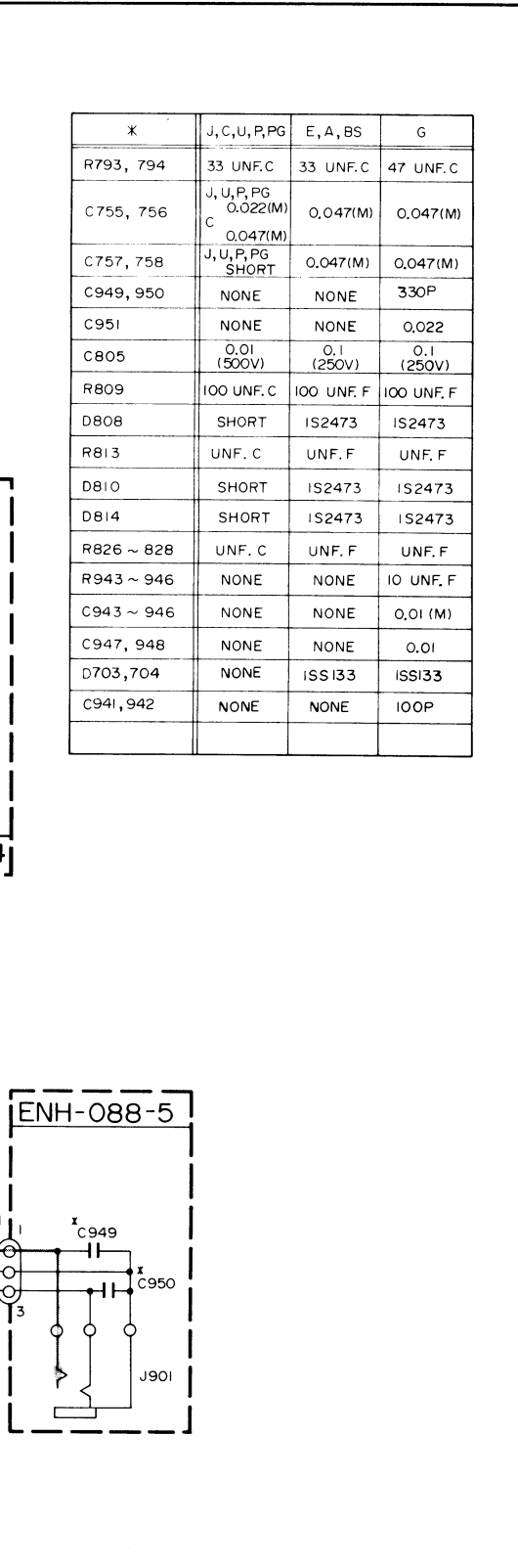
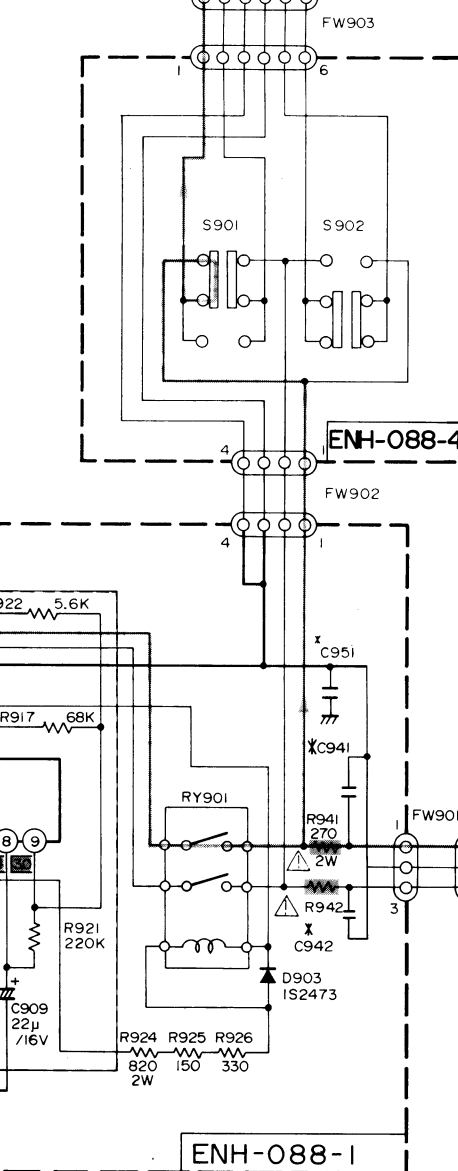
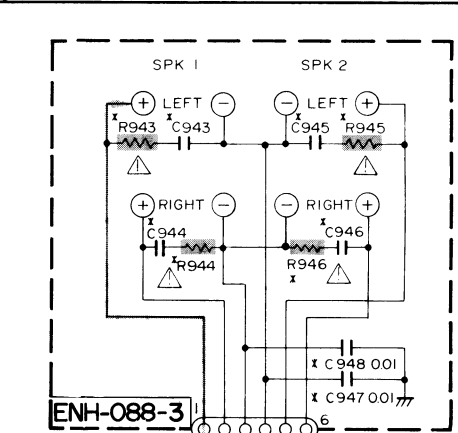
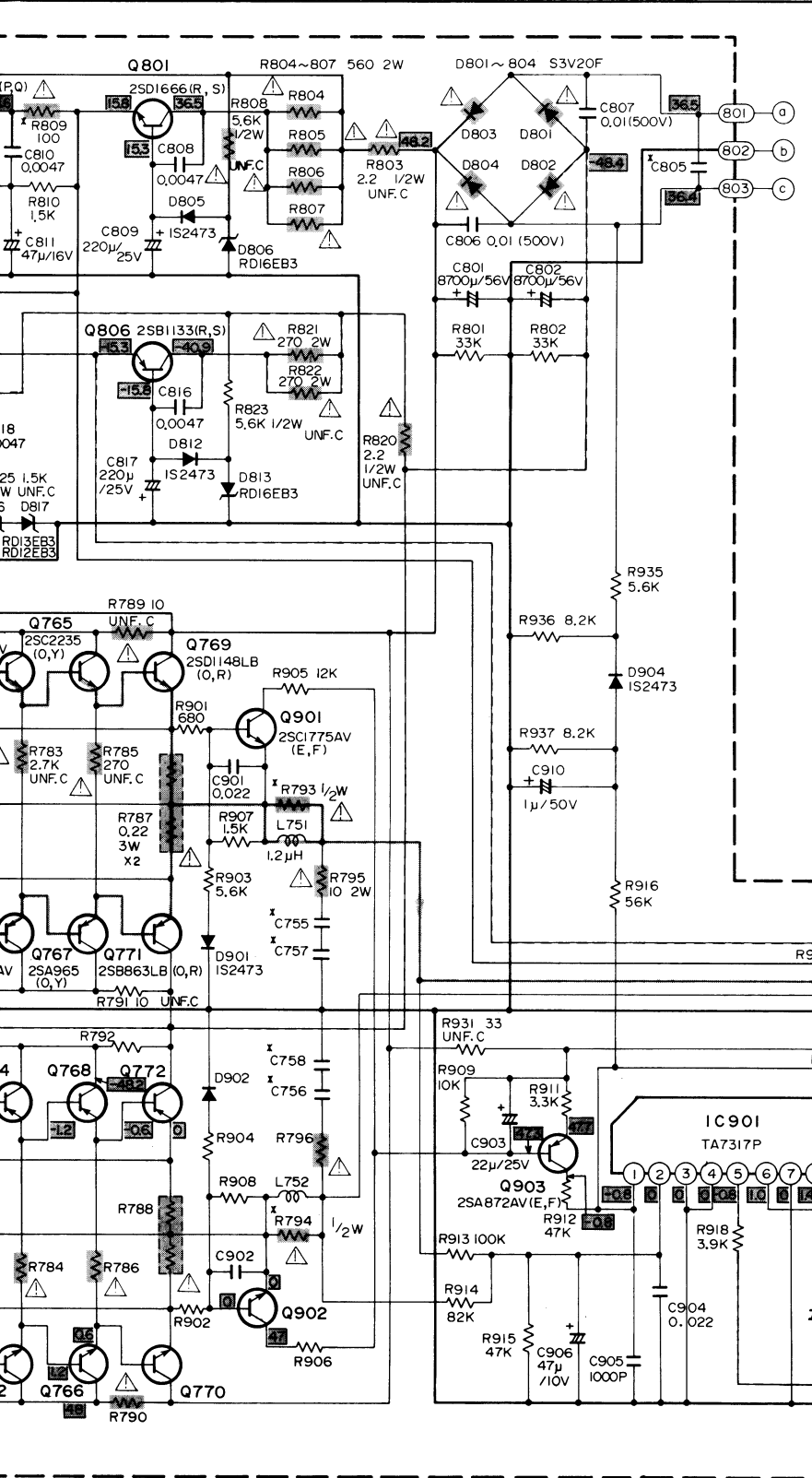
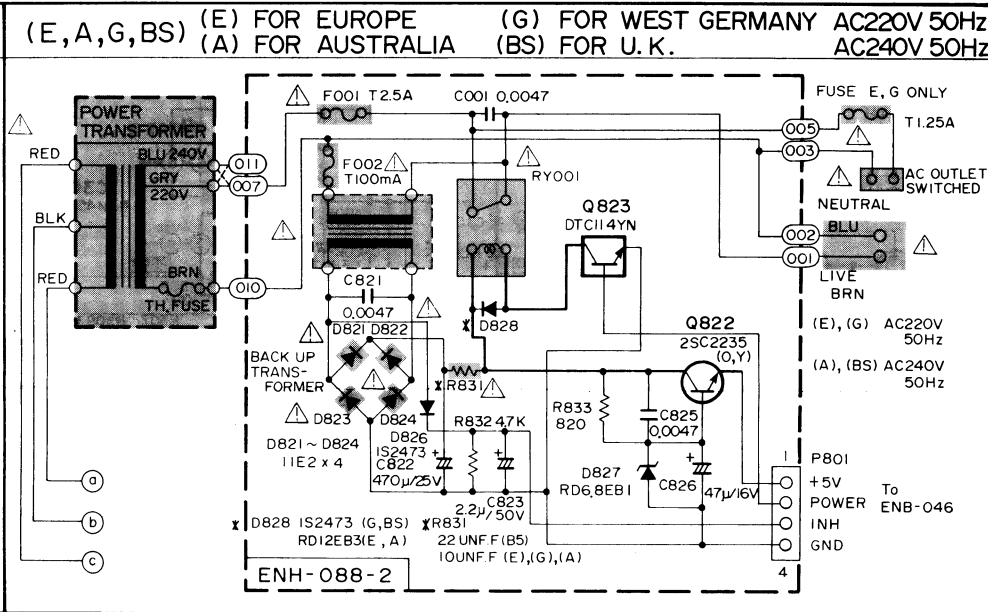
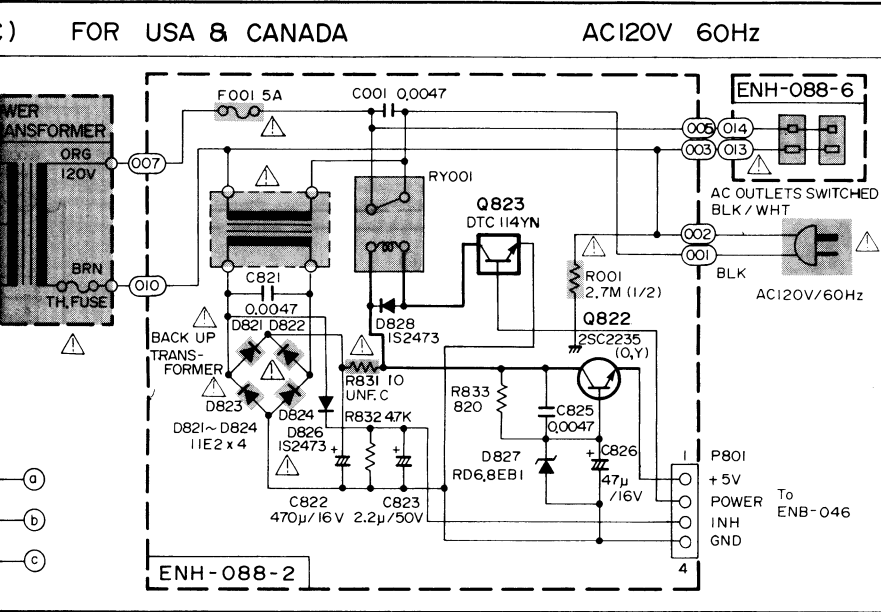
notice.

(5) Power Amplifier Section



- Notes:
1. shows DC voltage to the chassis with no signal input.
 2. indicates positive B power supply.
 3. indicates negative B power supply.
 4. indicates signal path.

5. When replacing the parts in the darkened area () and those marked with , be sure to use the designated parts to ensure safety.
6. This is the standard circuit diagram. The design and contents are subject to change without notice.



X	J, C, U, P, PG	E, A, BS	G
R793, 794	33 UNF. C	33 UNF. C	47 UNF. C
C755, 756	J, U, P, PG 0.022(M) 0.047(M)	0.047(M)	0.047(M)
C757, 758	J, U, P, PG SHORT	0.047(M)	0.047(M)
C949, 950	NONE	NONE	330P
C951	NONE	NONE	0.022
C805	0.01 (500V)	0.1 (250V)	0.1 (250V)
R809	100 UNF. C	100 UNF. F	100 UNF. F
D808	SHORT	IS2473	IS2473
R813	UNF. C	UNF. F	UNF. F
D810	SHORT	IS2473	IS2473
D814	SHORT	IS2473	IS2473
R826 ~ 828	UNF. C	UNF. F	UNF. F
R943 ~ 946	NONE	NONE	10 UNF. F
C943 ~ 946	NONE	NONE	0.01 (M)
C947, 948	NONE	NONE	0.01
D703, 704	NONE	ISS133	ISS133
C941, 942	NONE	NONE	100P

PARTS LIST

Contents

Main Parts Locations	2-2
Exploded Views and Parts List	2-3
Printed Circuit Board Ass'y and Parts List	2-7
■ ENH-088 <input type="checkbox"/> Audio PC Board Ass'y	2-7
■ ENF-032 <input type="checkbox"/> Switch & Control PC Board Ass'y	2-11
■ ENC-033A SEA & Power Switch PC Board Ass'y	2-14
■ ENB-046 <input type="checkbox"/> LCD & Control PC Board Ass'y	2-15
■ ENA-061 <input type="checkbox"/> Tuner PC Board Ass'y	2-18
■ ENG-004 <input type="checkbox"/> Pre-Drive PC Board Ass'y	2-21
■ ENE-032 <input type="checkbox"/> Video Switch PC Board Ass'y	2-23
Accessories List	2-24
Packing Materials and Part Numbers	2-25

RX-550VBK
RX-550VLBK

Main Parts Location

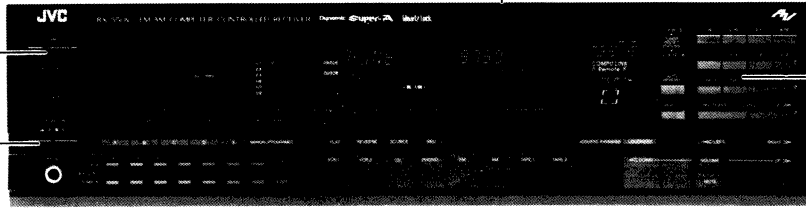
■ Front View

See Page 2-5
Metal Cover

E72808-001
Push Button

See page 2-5
Front Panel Ass'y

E72790-001
Push Knob



■ Top View

E69291-001
Fuse Cover

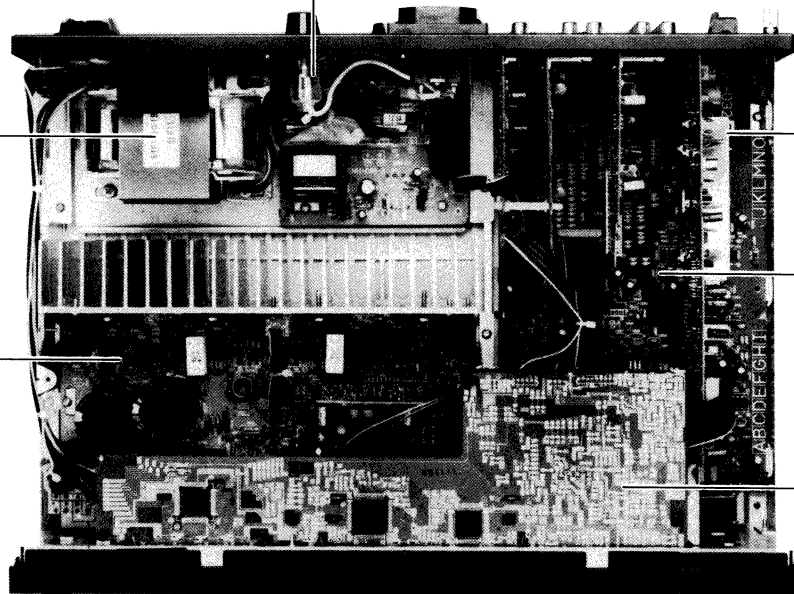
See page 2-5
Power Transformer ⚠

ENF-032 □
Voltage SEA
PC Board Ass'y

ENH-088 □
Audio PC Board Ass'y

ENA-061 □
Tuner PC Board Ass'y

ENB-046 □
Logic PC Board Ass'y



■ Rear View

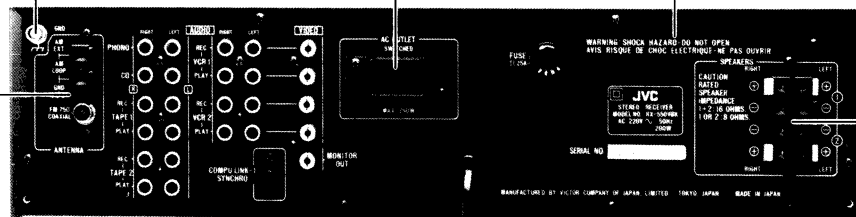
E70078-001
GND Terminal

See page 2-5
AC Socket ⚠

See page 2-5
Rear Panel

See page 2-5
Antenna Terminal

EMB90TV-801A
Speaker Terminal



See page 2-5
Power Cord ⚠

⚠ : Safety parts

RX-550VBK
RX-550VLBK

△	Item No.	Part Number	Part Name	Q'ty	Description	Area
	1	EFP-RX550VBKJ	Front Panel Ass'y	1		J, C
		EFP-RX550VBKE	Front Panel Ass'y	1		U, P, PG, E, A, G
	1-1	EFP-RX550VLBKE	Front Panel Ass'y	1		LE, LBS
		E25565-001	Front Panel	1		J, C
		E25565-002	Front Panel	1		U, P, PG, E, A, G
	1-2	E25565-003	Front Panel	1		LE, LBS
	1-3	E304582-001	Side Fitting	1		
	1-4	E304582-002	Side Fitting	1		
	1-5	E25567-001	Window Screen	1		
		E11422-001	LCD Escutcheon	1		
	1-6	E72436-006	Sheet	1		
	1-7	E72437-006	Sheet	1		
	1-8	E72808-001	Push Button	1		J, C
	1-9	E304578-001	Preset Knob Ass'y	1		Except J, C
		E304578-002	Preset Knob Ass'y	1		
	1-10	E304580-001	Source Knob Ass'y	1		Except LE, LBS
		E304580-002	Source Knob Ass'y	1		LE, LBS
	1-11	E25571-001	Push Button	1		
	1-12	E73522-001	Indicator	1		
	1-13	E60912-003	Speed Nut	1		
	1-14	E72968-001	JVC Mark	1		
	2	E48729-009	Plastic Rivet	3		
	3	EX0078006N25S02	Spacer	2		
	4	SBSE3008M	Screw	5		
	5	E73005-003	Sheet	1		
	6	E304588-001	Lamp Holder	1		
	7	ELP4101-003	Fuse Lamp	3		
	8	E48729-008	Plastic Rivet	8		Except E, LE, LBS
	9	E25573-001	Metal Cover	1		E, LE, LBS
		E25574-001	Metal Cover	1		
	10	E23862-005	Grill	1		E, LE, LBS
	11	E61660-004	Screw	4		
	12	E73005-002	Sheet	1		
	13	E304587-001	Lamp Holder	1		
	14	E73862-001	Stay Bracket	1		
	15	SBSE3008CC	Screw	24		
	16	E73863-001	Stay Bracket	1		LBS
	17	E48729-007	Plastic Rivet	2		
	18	E73864-001	Headphone Bracket	1		
	19	E72790-001	Push Knob	2		
	20	SBST3006CC	Screw	2		
	21	E11423-001	Front Bracket	1		
	22	E304584-001	Side Bracket	1		
	23	E304585-001	Center Bracket	1		
	24	E304583-001	Side Bracket	1		
	25	E11424-001	Bottom Plate	1		
	26	E47227-020	Foot	4		
	27	E73937-001	Protect Sheet	1		
	28	E25572-001	Transf. Bracket	1		
	29	E49383-002	Fastener	1		
△	30	ETP1150-19JA	Power Transformer	1		J
△		ETP1150-19CA	Power Transformer	1		C
△		ETP1150-19EA	Power Transformer	1		E, LE, A, G
△		ETP1150-19FA	Power Transformer	1		U, P, PG
△		ETP1150-19EABS	Power Transformer	1		LBS
	31	E65389-004	Screw	4		
△	32	QMF51U1-5R0S	Fuse	1	F001	J, C
△		QMF51A2-2R5S	Fuse	1	F001	E, LE, A, G
△		QMF51E2-2R5SBS	Fuse	1	F001	LBS
△	33	QMF51A2-R10S	Fuse	1	F002	E, LE, A, G
△		QMF51E2-R10SBS	Fuse	1	F002	LBS
	34	E304654-001	Primary Cover	1		E, LE, A, G, LBS
	35	E302321-001	Fastener	2		E, LE, A, G, LBS
	36	E302764-001	Voltage Selector Cover	1		U, P, PG
△	37	QSR0085-008U	Voltage Selector	1		U, P, PG
	38	EX0085010R10S	Spacer	2		
	39	E69589-008	Spacer	1		J
	40	E25575-001	Rear Panel	1	DOM	J, C
		E25575-002	Rear Panel	1	DOM	U, P, PG
		E25575-003	Rear Panel	1	DOM	E, LE

RX-550VBK
RX-550VLBK

△	Item No.	Part Number	Part Name	Q'ty	Description	Area
		E25575-004	Rear Panel	1	DOM	A
		E25575-005	Rear Panel	1	DOM	G
		E25575-006	Rear Panel	1	DOM	LBS
		E25575-011	Rear Panel	1	SINGAPORE	J, C
		E25575-012	Rear Panel	1	SINGAPORE	U, P, PG
		E25575-013	Rear Panel	1	SINGAPORE	E, LE
		E25575-014	Rear Panel	1	SINGAPORE	A
		E25575-015	Rear Panel	1	SINGAPORE	G
		E25575-016	Rear Panel	1	SINGAPORE	LBS
	41	E70078-001	GND.Terminal	1		
	42	SDBS3008M	Screw	2		J, C, U, P, PG
	43	SBSB3016M	Screw	2		LE
	44	QMC0301-003	Fuse Holder	1		U, P, PG, E, LE, G
△	45	QMF51A2-2R5S	Fuse	1		U, PG
△		QMF51A2-5R0S	Fuse	1		P
△		QMF51A2-1R25S	Fuse	1		E, LE, G
△	46	QHS3876-162	Cord Stopper	1		Except LBS
△		QHS3876-162BS	Cord Stopper	1		LBS
△	47	QMP1480-200H	Power Cord	1		J, C
△		QMP7600-200	Power Cord	1		U, P, PG
△		QMP3900-200	Power Cord	1		E, LE
△		QMP2560-244	Power Cord	1		A
△		QMP39A0-200	Power Cord	1		G
△		QMP9017-008BS	Power Cord	1		LBS
△	48	QMC0440-001	AC Socket	1		J, C
△		QMC0437-002	AC Socket	1		U, P, PG
△	49	QMC0240-002	AC Socket	1		E, G
△	50	EMC0233-001	AC Socket	1		A
△	51	EMC0232-001BS	AC Socket	1		LBS
	52	B69291-001	Fuse Holder Cover	1		E, LE, U, P, PG, G
	53	E3400-382	Felt Spacer	1		
	54	E304771-001	Barth Plate	1		
	55	QST4231-B03	Push Switch	1		
	56	QMS6A40-021	3P Pin Jack	1	Headphone	
	57	E74096-001	Protect Sheet	1		
	58	SBSB3008M	Screw	17		
	59	E73237-001	Screw	17		

△ Safety Parts

The Marks for Designated Areas

J U.S.A.
C Canada
A Australia
G West Germany
E, LE Europe

LBS U.K.
P, PG U.S. Military Market
U Other Countries
No mark indicates all areas.

RX-550VBK
RX-550VLBK

Transistors

ITEM	PART NUMBER	DESCRIPTION		AREA
			MAKER	
Q751	2SD636 (Q, R)	SILICON		
Q752	2SD636 (Q, R)	SILICON		
Q753	2SC945A (P, Q)	SILICON	NEC	
Q754	2SC945A (P, Q)	SILICON	NEC	
Q755	2SA733A (P, Q)	SILICON	NEC	
Q756	2SA733A (P, Q)	SILICON	NEC	
Q757	2SC945A (P, Q)	SILICON	NEC	
Q758	2SC945A (P, Q)	SILICON	NEC	
Q759	2SA733A (P, Q)	SILICON	NEC	
Q760	2SA733A (P, Q)	SILICON	NEC	
Q761	2SC1775AV (E, F)	SILICON	HITACHI	
Q762	2SC1775AV (E, F)	SILICON	HITACHI	
Q763	2SA872AV (E, F)	SILICON	HITACHI	
Q764	2SA872AV (E, F)	SILICON	HITACHI	
Q765	2SC2235 (O, Y)	SILICON		
Q766	2SC2235 (O, Y)	SILICON		
Q767	2SA965 (O, Y)	SILICON		
Q768	2SA965 (O, Y)	SILICON		
Q769	2SD1148LB (O, R)	SILICON		
Q770	2SD1148LB (O, R)	SILICON		
Q771	2SB863LB (O, R)	SILICON		
Q772	2SB863LB (O, R)	SILICON		
Q801	2SD1666 (R, S)	SILICON	SANYO	
Q802	2SC945A (P, Q)	SILICON	NEC	
Q803	2SC945A (P, Q)	SILICON	NEC	
Q804	2SD1666 (R, S)	SILICON	SANYO	
Q805	2SD1666 (R, S)	SILICON	SANYO	
Q806	2SB1133 (R, S)	SILICON	SANYO	
Q807	2SB1133 (R, S)	SILICON	SANYO	
Q821	2SD1265A (O)	SILICON		C
Q822	2SC2235 (O, Y)	SILICON		
Q823	DTC114YN	SILICON		
Q901	2SC1775AV (E, F)	SILICON	ROHM	
Q902	2SC1775AV (E, F)	SILICON	HITACHI	
Q903	2SA872AV (E, F)	SILICON	HITACHI	

ICs

ITEM	PART NUMBER	DESCRIPTION		AREA
			MAKER	
IC751	VC5022-2	I.C.	SANYO	
IC752	VC5022-2	I.C.	SANYO	
IC901	TA7317P	I.C.		

Diodes

ITEM	PART NUMBER	DESCRIPTION		AREA
			MAKER	
D751	1S2473	SILICON	ROHM	
D752	1S2473	SILICON	ROHM	
D801	S3V20F	SILICON		
D802	S3V20F	SILICON		
D803	S3V20F	SILICON		
D804	S3V20F	SILICON		
D805	1S2473	SILICON	ROHM	
D806	RD16EB3	ZENER	NEC	
D807	RD5.6EB3	ZENER	NEC	
D808	1S2473	SILICON	ROHM	D
D808	1S2473	SILICON	ROHM	EBS
D808	1S2473	SILICON	ROHM	F
D809	RD15EB3	ZENER	NEC	
D810	1S2473	SILICON	ROHM	D
D810	1S2473	SILICON	ROHM	EBS
D810	1S2473	SILICON	ROHM	F
D811	RD13EB3	ZENER	NEC	
D812	1S2473	SILICON	ROHM	
D813	RD16EB3	ZENER	NEC	
D814	1S2473	SILICON	ROHM	D

Diodes

ITEM	PART NUMBER	DESCRIPTION		AREA
			MAKER	
D814	1S2473	SILICON	ROHM	EBS
D814	1S2473	SILICON	ROHM	F
D815	RD13EB3	ZENER	NEC	
D816	RD12EB3	ZENER	NEC	
D817	RD12EB3	ZENER	NEC	
D821	11E2	SILICON		
D822	11E2	SILICON		
D823	11E2	SILICON		
D824	11E2	SILICON		
D825	RD12EB3	ZENER	NEC	C
D826	1S2473	SILICON	ROHM	
D827	RD6.8EB1	ZENER		
D828	1S2473	SILICON	ROHM	A
D828	1S2473	SILICON	ROHM	B
D828	1S2473	SILICON	ROHM	C
D828	1S2473	SILICON	ROHM	EBS
D828	1S2473	SILICON	ROHM	F
D828	RD12EB3	ZENER	NEC	D
D901	1S2473	SILICON	ROHM	
D902	1S2473	SILICON	ROHM	
D903	1S2473	SILICON	ROHM	
D904	1S2473	SILICON	ROHM	

Capacitors

ITEM	PART NUMBER	DESCRIPTION			AREA
C001	QCZ9019-472	4700PF		CERAMIC	A
C001	QCZ9019-472	4700PF		CERAMIC	B
C001	QCZ9019-472	4700PF		CERAMIC	C
C001	QCZ9019-472	4700PF		CERAMIC	D
C001	QCZ9019-472	4700PF		CERAMIC	F
C001	QCZ9019-472BS	4700PF		CERAMIC	EBS
C751	QCS21HJ-470	47PF	50V	CERAMIC	A
C752	QCS21HJ-470	47PF	50V	CERAMIC	B
C753	QCS21HJ-470	47PF	50V	CERAMIC	D
C754	QCS21HJ-470	47PF	50V	CERAMIC	EBS
C755	QFN81HK-223	0.022MF	50V	MYLAR	A
C755	QFN81HK-223	0.022MF	50V	MYLAR	C
C755	QFN81HK-473	0.047MF	50V	MYLAR	B
C755	QFN81HK-473	0.047MF	50V	MYLAR	D
C755	QFN81HK-473	0.047MF	50V	MYLAR	EBS
C755	QFN81HK-473	0.047MF	50V	MYLAR	F
C756	QFN81HK-223	0.022MF	50V	MYLAR	A
C756	QFN81HK-223	0.022MF	50V	MYLAR	C
C756	QFN81HK-473	0.047MF	50V	MYLAR	B
C756	QFN81HK-473	0.047MF	50V	MYLAR	D
C756	QFN81HK-473	0.047MF	50V	MYLAR	EBS
C756	QFN81HK-473	0.047MF	50V	MYLAR	F
C757	QFN81HK-473	0.047MF	50V	MYLAR	B
C757	QFN81HK-473	0.047MF	50V	MYLAR	D
C757	QFN81HK-473	0.047MF	50V	MYLAR	EBS
C757	QFN81HK-473	0.047MF	50V	MYLAR	F
C758	QFN81HK-473	0.047MF	50V	MYLAR	B
C758	QFN81HK-473	0.047MF	50V	MYLAR	D
C758	QFN81HK-473	0.047MF	50V	MYLAR	EBS
C758	QFN81HK-473	0.047MF	50V	MYLAR	F
C759	QETB1JM-226	22MF	63V	ELECTRO	
C760	QETB1JM-226	22MF	63V	ELECTRO	
C801	QEZ0075-878E	8700MF		NON POLE	
C802	QEZ0075-878E	8700MF		NON POLE	
C805	QCE22HP-103	0.01MF	500V	CERAMIC	A
C805	QCE22HP-103	0.01MF	500V	CERAMIC	B
C805	QCE22HP-103	0.01MF	500V	CERAMIC	C
C805	QFH42EK-104	0.1MF		M. MYLAR	D
C805	QFH42EK-104	0.1MF		M. MYLAR	EBS
C805	QFH42EK-104	0.1MF		M. MYLAR	F
C806	QCE22HP-103	0.01MF	500V	CERAMIC	
C807	QCE22HP-103	0.01MF	500V	CERAMIC	
C808	QCF21HP-472	4700PF	50V	CERAMIC	
C809	QETB1EM-227	220MF	25V	ELECTRO	
C810	QCF21HP-472	4700PF	50V	CERAMIC	

Capacitors

ITEM	PART NUMBER	DESCRIPTION			AREA
C811	QETB1CM-476	47MF	16V	ELECTRO	
C812	QCF21HP-472	4700PF	50V	CERAMIC	
C813	QETB1EM-107	100MF	25V	ELECTRO	
C814	QCF21HP-472	4700PF	50V	CERAMIC	
C815	QETB1CM-227	220MF	16V	ELECTRO	
C816	QCF21HP-472	4700PF	50V	CERAMIC	
C817	QETB1EM-227	220MF	25V	ELECTRO	
C818	QCF21HP-472	4700PF	50V	CERAMIC	
C819	QETB1HM-476	47MF	50V	ELECTRO	
C821	QFM82AK-473	0.047MF	100V	MYLAR	C
C821	QFN81HK-473	0.047MF	50V	MYLAR	A
C821	QFN81HK-473	0.047MF	50V	MYLAR	B
C821	QFN81HK-473	0.047MF	50V	MYLAR	D
C821	QFN81HK-473	0.047MF	50V	MYLAR	EBS
C821	QFN81HK-473	0.047MF	50V	MYLAR	F
C822	QETB1CM-477	470MF	16V	ELECTRO	A
C822	QETB1CM-477	470MF	16V	ELECTRO	B
C822	QETB1EM-477	470MF	25V	ELECTRO	D
C822	QETB1EM-477	470MF	25V	ELECTRO	EBS
C822	QETB1EM-477	470MF	25V	ELECTRO	F
C822	QETB1JM-227	220MF	63V	ELECTRO	C
C823	QETB1HM-225	2.2MF	50V	ELECTRO	C
C824	QCF21HP-472	4700PF	50V	CERAMIC	
C825	QCF21HP-472	4700PF	50V	CERAMIC	
C826	QETB1CM-476	47MF	16V	ELECTRO	
C901	QCF21HP-223	0.022MF	50V	CERAMIC	
C902	QCF21HP-223	0.022MF	50V	CERAMIC	
C903	QETB1EM-226	22MF	25V	ELECTRO	
C904	QCF21HP-223	0.022MF	50V	CERAMIC	
C905	QCY21HK-102	1000PF	50V	CERAMIC	
C906	QETB1AM-476	47MF	16V	ELECTRO	
C909	QETB1CM-226	22MF	10V	ELECTRO	
C910	QETB1HM-105	1MF	50V	ELECTRO	
C941	QCS21HJ-331	330PF	50V	CERAMIC	F
C942	QCS21HJ-331	330PF	50V	CERAMIC	F
C943	QFN81HK-103	0.01MF	50V	MYLAR	F
C944	QFN81HK-103	0.01MF	50V	MYLAR	F
C945	QFN81HK-103	0.01MF	50V	MYLAR	F
C946	QFN81HK-103	0.01MF	50V	MYLAR	F
C947	QCF21HP-103	0.01MF	50V	CERAMIC	F
C948	QCF21HP-103	0.01MF	50V	CERAMIC	F
C949	QCS21HJ-101	100PF	50V	CERAMIC	F
C950	QCS21HJ-101	100PF	50V	CERAMIC	F
C951	QCF21HP-223	0.022MF	50V	CERAMIC	F

Resistors

ITEM	PART NUMBER	DESCRIPTION			AREA
R001	QRC128K-275EM	2.7K	1/2W	COMPOSITE	A
R001	QRC128K-275EM	2.7K	1/2W	COMPOSITE	B
R751	QVZ3518-471			VARIABLE	
R752	QVZ3518-471			VARIABLE	
R753	QRD148J-471S	470	1/4W	CARBON	
R754	QRD148J-471S	470	1/4W	CARBON	
R755	QRD148J-101S	100	1/4W	CARBON	
R756	QRD148J-101S	100	1/4W	CARBON	
R759	QRD148J-391S	390	1/4W	CARBON	
R760	QRD148J-391S	390	1/4W	CARBON	
R761	SDT250			THERMISTOR	
R762	SDT250			THERMISTOR	
R763	QRD148J-102S	1K	1/4W	CARBON	
R764	QRD148J-102S	1K	1/4W	CARBON	
R765	QRD148J-102S	1K	1/4W	CARBON	
R766	QRD148J-102S	1K	1/4W	CARBON	
R767	QRD148J-101S	100	1/4W	CARBON	
R768	QRD148J-101S	100	1/4W	CARBON	
R769	QRD148J-101S	100	1/4W	CARBON	
R770	QRD148J-101S	100	1/4W	CARBON	
R779	QRD148J-820S	82	1/4W	CARBON	
R780	QRD148J-820S	82	1/4W	CARBON	
R781	QRD148J-820S	82	1/4W	CARBON	
R782	QRD148J-820S	82	1/4W	CARBON	
R783	QRD145J-272S	2.7K	1/4W	UNF. CARBON	

Resistors

ITEM	PART NUMBER	DESCRIPTION			AREA
R784	QRD145J-272S	2.7K	1/4W	UNF. CARBON	
R785	QRD145J-271S	270	1/4W	UNF. CARBON	
R786	QRD145J-271S	270	1/4W	UNF. CARBON	
R787	ERF032K-R22	0.22	3W	CEMENT	
R788	ERF032K-R22	0.22	3W	CEMENT	
R789	QRD145J-100S	10	1/4W	UNF. CARBON	
R790	QRD145J-100S	10	1/4W	UNF. CARBON	
R791	QRD145J-100S	10	1/4W	UNF. CARBON	
R792	QRD145J-100S	10	1/4W	UNF. CARBON	
R793	QRD125J-330	33	1/2W	UNF. CARBON	A
R793	QRD125J-330	33	1/2W	UNF. CARBON	B
R793	QRD125J-330	33	1/2W	UNF. CARBON	C
R793	QRD125J-330	33	1/2W	UNF. CARBON	D
R793	QRD125J-330	33	1/2W	UNF. CARBON	EBS
R793	QRD125J-330	33	1/2W	UNF. CARBON	F
R794	QRD125J-330	33	1/2W	UNF. CARBON	A
R794	QRD125J-330	33	1/2W	UNF. CARBON	B
R794	QRD125J-330	33	1/2W	UNF. CARBON	C
R794	QRD125J-330	33	1/2W	UNF. CARBON	D
R794	QRD125J-330	33	1/2W	UNF. CARBON	EBS
R794	QRD125J-330	33	1/2W	UNF. CARBON	F
R794	QRD125J-470	47	1/2W	UNF. CARBON	
R795	QRG022J-100A	10	2W	O. M. FILM	
R796	QRG022J-100A	10	2W	O. M. FILM	
R797	QRD145J-330S	33	1/4W	UNF. CARBON	
R798	QRD145J-330S	33	1/4W	UNF. CARBON	
R801	QRD148J-333S	33K	1/4W	CARBON	
R802	QRD148J-333S	33K	1/4W	CARBON	
R803	QRD125J-2R2	2.2	1/2W	UNF. CARBON	
R804	QRG022J-561A	560	2W	O. M. FILM	
R805	QRG022J-561A	560	2W	O. M. FILM	
R806	QRG022J-561A	560	2W	O. M. FILM	
R807	QRG022J-561A	560	2W	O. M. FILM	
R808	QRD125J-562	5.6K	1/2W	UNF. CARBON	
R809	QRD145J-101S	100	1/4W	UNF. CARBON	A
R809	QRD145J-101S	100	1/4W	UNF. CARBON	B
R809	QRD145J-101S	100	1/4W	UNF. CARBON	C
R809	QRZ0062-101	100	1/4W	FUSIBLE	D
R809	QRZ0062-101	100	1/4W	FUSIBLE	EBS
R809	QRZ0062-101	100	1/4W	FUSIBLE	F
R810	QRD148J-152S	1.5K	1/4W	CARBON	
R811	QRG022J-271A	270	2W	O. M. FILM	
R812	QRG022J-271A	270	2W	O. M. FILM	
R813	QRD145J-101S	100	1/4W	UNF. CARBON	A
R813	QRD145J-101S	100	1/4W	UNF. CARBON	B
R813	QRD145J-101S	100	1/4W	UNF. CARBON	C
R813	QRZ0062-101	100	1/4W	FUSIBLE	D
R813	QRZ0062-101	100	1/4W	FUSIBLE	EBS
R813	QRZ0062-101	100	1/4W	FUSIBLE	F
R814	QRD125J-562	5.6K	1/2W	UNF. CARBON	
R815	QRG022J-561A	560	2W	O. M. FILM	
R816	QRG022J-561A	560	2W	O. M. FILM	
R817	QRG022J-561A	560	2W	O. M. FILM	
R818	QRG022J-561A	560	2W	O. M. FILM	
R819	QRD125J-562	5.6K	1/2W	UNF. CARBON	
R820	QRD125J-2R2	2.2	1/2W	UNF. CARBON	
R821	QRG022J-271A	270	2W	O. M. FILM	
R822	QRG022J-271A	270	2W	O. M. FILM	
R823	QRD125J-562	5.6K	1/2W	UNF. CARBON	
R825	QRD125J-152	1.5K	1/2W	UNF. CARBON	
R826	QRD145J-560S	56	1/4W	UNF. CARBON	A
R826	QRD145J-560S	56	1/4W	UNF. CARBON	B
R826	QRD145J-560S	56	1/4W	UNF. CARBON	C
R826	QRZ0062-560	56	1/4W	FUSIBLE	D
R826	QRZ0062-560	56	1/4W	FUSIBLE	EBS

RX-550VBK
RX-550VLBK

Resistors

ITEM	PART NUMBER	DESCRIPTION			AREA
△ R826	QRZ0062-560	56	1/4W	FUSIBLE	F
△ R827	QRD145J-560S	56	1/4W	UNF. CARBON	A
△ R827	QRD145J-560S	56	1/4W	UNF. CARBON	B
△ R827	QRD145J-560S	56	1/4W	UNF. CARBON	C
△ R827	QRZ0062-560	56	1/4W	FUSIBLE	D
△ R827	QRZ0062-560	56	1/4W	FUSIBLE	EBS
△ R827	QRZ0062-560	56	1/4W	FUSIBLE	F
△ R828	QRD145J-560S	56	1/4W	UNF. CARBON	A
△ R828	QRD145J-560S	56	1/4W	UNF. CARBON	B
△ R828	QRD145J-560S	56	1/4W	UNF. CARBON	C
△ R828	QRD145J-560S	56	1/4W	UNF. CARBON	D
△ R828	QRZ0062-560	56	1/4W	FUSIBLE	D
△ R828	QRZ0062-560	56	1/4W	FUSIBLE	EBS
△ R828	QRZ0062-560	56	1/4W	FUSIBLE	F
△ R831	QRD145J-100S	10	1/4W	UNF. CARBON	A
△ R831	QRD145J-100S	10	1/4W	UNF. CARBON	B
△ R831	QRD145J-100S	10	1/4W	UNF. CARBON	D
△ R831	QRD145J-100S	10	1/4W	UNF. CARBON	F
△ R831	QRD145J-220S	22	1/4W	UNF. CARBON	EBS
△ R831	QRD145J-3R3S	3.3	1/4W	UNF. CARBON	C
△ R832	QRD148J-472S	4.7K	1/4W	CARBON	
△ R833	QRD148J-821S	820	1/4W	CARBON	
△ R834	QRG012J-222A	2.2K	1W	O. M. FILM	C
△ R901	QRD148J-681S	680	1/4W	CARBON	
△ R902	QRD148J-681S	680	1/4W	CARBON	
△ R903	QRD148J-562S	5.6K	1/4W	CARBON	
△ R904	QRD148J-562S	5.6K	1/4W	CARBON	
△ R905	QRD148J-123S	12K	1/4W	CARBON	
△ R906	QRD148J-123S	12K	1/4W	CARBON	
△ R907	QRD148J-152S	1.5K	1/4W	CARBON	
△ R908	QRD148J-152S	1.5K	1/4W	CARBON	
△ R909	QRD148J-103S	10K	1/4W	CARBON	
△ R911	QRD148J-332S	3.3K	1/4W	CARBON	
△ R912	QRD148J-473S	47K	1/4W	CARBON	
△ R913	QRD148J-104S	100K	1/4W	CARBON	
△ R914	QRD148J-823S	82K	1/4W	CARBON	
△ R915	QRD148J-473S	47K	1/4W	CARBON	
△ R916	QRD148J-563S	56K	1/4W	CARBON	
△ R917	QRD148J-683S	68K	1/4W	CARBON	
△ R918	QRD148J-392S	3.9K	1/4W	CARBON	
△ R921	QRD148J-224S	220K	1/4W	CARBON	
△ R922	QRD148J-562S	5.6K	1/4W	CARBON	
△ R924	QRG022J-821A	820	2W	O. M. FILM	
△ R925	QRD148J-151S	150	1/4W	CARBON	
△ R926	QRD148J-331S	330	1/4W	CARBON	
△ R931	QRD145J-330S	33	1/4W	UNF. CARBON	
△ R935	QRD148J-562S	5.6K	1/4W	CARBON	
△ R936	QRD148J-822S	8.2K	1/4W	CARBON	
△ R937	QRD148J-822S	8.2K	1/4W	CARBON	
△ R941	QRG022J-271A	270	2W	O. M. FILM	
△ R942	QRG022J-271A	270	2W	O. M. FILM	
△ R943	QRZ0062-100	10	1/4W	FUSIBLE	F
△ R944	QRZ0062-100	10	1/4W	FUSIBLE	F
△ R945	QRZ0062-100	10	1/4W	FUSIBLE	F
△ R946	QRZ0062-100	10	1/4W	FUSIBLE	F

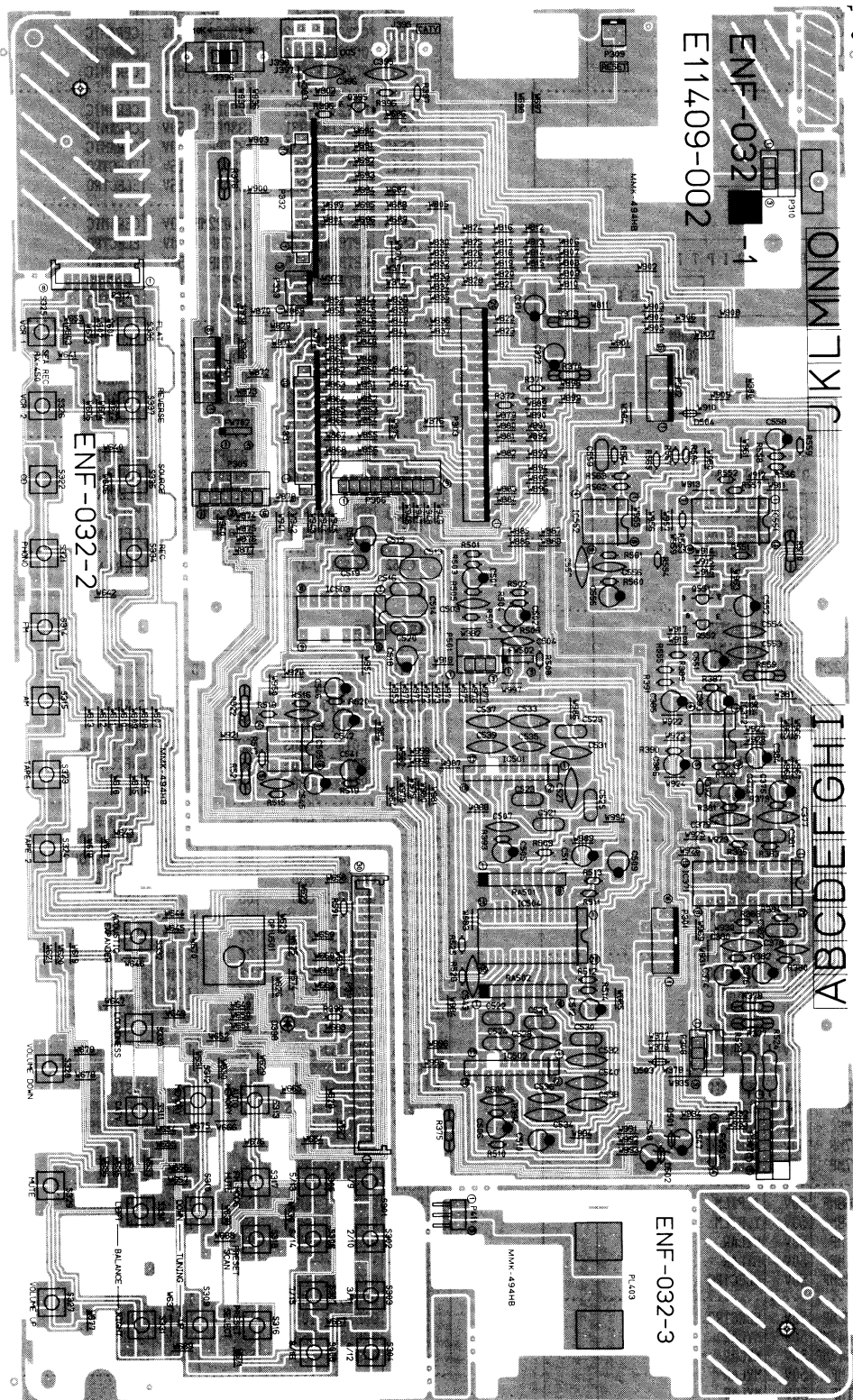
Others

ITEM	PART NUMBER	DESCRIPTION	AREA
J901	QMS6A40-021	JACK ASSY	
L751	EQL0101-1R2	INDUCTOR	
L752	EQL0101-1R2	INDUCTOR	
P702	EMV7112-003	SOCKET	
P801	EMV7112-004	SOCKET	
P802	EMV7112-003	SOCKET	
RY001	ESK1D12-113	RELAY	A
RY001	ESK1D12-113	RELAY	B
RY001	ESK1D12-113	RELAY	C
RY001	ESK1D12-113	RELAY	D
RY001	ESK1D12-113	RELAY	F
RY001	ESK1D12-113BS	RELAY	EBS
RY901	ESK5D24-218	RELAY	
S901	QST4231-E03	PUSH SWITCH	
S902	QST4231-E03	PUSH SWITCH	
E11413-002	E11413-002	CIRCUIT BOARD	A
E11413-002	E11413-002	CIRCUIT BOARD	B
E11413-002	E11413-002	CIRCUIT BOARD	C
E11413-002	E11413-002	CIRCUIT BOARD	D
E11413-002	E11413-002	CIRCUIT BOARD	F
E11413-002BS	E11413-002BS	CIRCUIT BOARD	EBS
E304586-001	E304586-001	H. SINK BRACKET	
E304586-002	E304586-002	H. SINK BRACKET	
E304655-001	E304655-001	HEAT SINK	
E65508-002	E65508-002	TAB	
E67764-102	E67764-102	R. TERMINAL	C
E67764-102	E67764-102	R. TERMINAL	
E67764-103	E67764-103	R. TERMINAL	A
E67764-202	E67764-202	R. TERMINAL	B
E67764-202	E67764-202	R. TERMINAL	
E67764-202	E67764-202	R. TERMINAL	D
E67764-202	E67764-202	R. TERMINAL	EBS
E67764-202	E67764-202	R. TERMINAL	F
E67764-203	E67764-203	TERMINAL ASSY	C
E67764-302	E67764-302	R. TERMINAL	A
E67764-302	E67764-302	R. TERMINAL	B
E67764-302	E67764-302	R. TERMINAL	C
E67764-302	E67764-302	R. TERMINAL	F
E67764-302	E67764-302	R. TERMINAL	A
E67764-302	E67764-302	R. TERMINAL	B
E70225-001	E70225-001	EARTH PLATE	F
E70859-001	E70859-001	EARTH PLATE	A
E70859-001	E70859-001	EARTH PLATE	B
E70859-001	E70859-001	EARTH PLATE	
E70945-H2CB	E70945-H2CB	HEAT SINK	
E70945-H40B	E70945-H40B	HEAT SINK	C
E73525-001	E73525-001	SCREW	
EMB90TV-801A	EMB90TV-801A	SPK. TERMINAL	
EMG7331-001	EMG7331-001	FUSE CLIP	A
EMG7331-001	EMG7331-001	FUSE CLIP	B
EMG7331-001	EMG7331-001	FUSE CLIP	D
EMG7331-001	EMG7331-001	FUSE CLIP	EBS
EMG7331-001	EMG7331-001	FUSE CLIP	F
ENG-004G	ENG-004G	PRE DRIVER ASSY	A
ENG-004G	ENG-004G	PRE DRIVER ASSY	B
ENG-004G	ENG-004G	PRE DRIVER ASSY	C
ENG-004H	ENG-004H	PRE DRIVER ASSY	D
ENG-004H	ENG-004H	PRE DRIVER ASSY	EBS
ENG-004I	ENG-004I	PRE DRIVER ASSY	F
ETP1000-41EA	ETP1000-41EA	POWER TRANSFORMER	D
ETP1000-41EA	ETP1000-41EA	POWER TRANSFORMER	F
ETP1000-41EABS	ETP1000-41EABS	POWER TRANSFORMER	EBS
ETP1000-41ZA	ETP1000-41ZA	POWER TRANSFORMER	C
ETP1000-42JA	ETP1000-42JA	POWER TRANSFORMER	A
ETP1000-42JA	ETP1000-42JA	POWER TRANSFORMER	B
QMC0437-002	QMC0437-002	AC SOCKET	C
QMC0440-001	QMC0440-001	AC SOCKET	A
QMC0440-001	QMC0440-001	AC SOCKET	B
SBSB3012CC	SBSB3012CC	T. SCREW	C
SBSE3008CC	SBSE3008CC	SCREW	

■ ENF-032 Switch & Control PC Board Ass'y

Note: ENF-032 varies according to the areas employed. See note (1) when placing an order.

PC Board Ass'y	Designated Areas
ENF-032 <input type="checkbox"/> A	U.S.A. & Canada
ENF-032 <input type="checkbox"/> B	U.S. Military Market & Other Countries
ENF-032 <input type="checkbox"/> C	Europe, Australia & U.K.
ENF-032 <input type="checkbox"/> D	West Germany



RX-550VBK
RX-550VLBK

Transistors

ITEM	PART NUMBER	DESCRIPTION		AREA
			MAKER	
Q395	2SC1685 (Q, R)	SILICON		A
Q551	DTA114YN	SILICON	ROHM	
Q552	DTC144EN	SILICON	ROHM	

ICs

ITEM	PART NUMBER	DESCRIPTION		AREA
			MAKER	
IC371	TC9177P	I.C.		
IC372	NJM45600-X	I.C.		
IC501	BA3812L	I.C.	ROHM	
IC502	BA3812L	I.C.	ROHM	
IC503	LA3600S	I.C.	SANYO	
IC504	LC7522	I.C.	SANYO	
IC505	NJM45600-X	I.C.		
IC551	LC4966	I.C.	SANYO	
IC552	NJM4558D	I.C.		

Diodes

ITEM	PART NUMBER	DESCRIPTION		AREA
			MAKER	
D398	SLH-34VC3F	L.E.D.		ROHM
D501	MTZ6.8JC	ZENER	ROHM	
D502	MTZ6.8JC	ZENER	ROHM	

Capacitors

ITEM	PART NUMBER	DESCRIPTION			AREA
C371	QETB1EM-476	47MF	25V	ELECTRO	A
C372	QETB1EM-476	47MF	25V	ELECTRO	
C373	QETB1HM-475	4.7MF	50V	ELECTRO	
C374	QETB1HM-475	4.7MF	50V	ELECTRO	
C375	QETB1EM-476	47MF	25V	ELECTRO	
C376	QETB1EM-476	47MF	25V	ELECTRO	
C377	QCF21HP-223	0.022MF	50V	CERAMIC	
C378	QCF21HP-223	0.022MF	50V	CERAMIC	
C379	QCS21HJ-181	180PF	50V	CERAMIC	
C380	QCS21HJ-181	180PF	50V	CERAMIC	
C381	QFN81HK-333	0.033MF	50V	MYLAR	
C382	QFN81HK-333	0.033MF	50V	MYLAR	
C383	QETB1HM-105	1MF	50V	ELECTRO	
C384	QETB1HM-105	1MF	50V	ELECTRO	
C385	QETB1EM-106	10MF	25V	ELECTRO	
C386	QETB1EM-106	10MF	25V	ELECTRO	
C395	QCF21HP-223	0.022MF	50V	CERAMIC	
C396	QCF21HP-223	0.022MF	50V	CERAMIC	
C501	QETB1HM-475	4.7MF	50V	ELECTRO	
C502	QETB1HM-475	4.7MF	50V	ELECTRO	
C503	QCS21HJ-101	100PF	50V	CERAMIC	
C504	QCS21HJ-101	100PF	50V	CERAMIC	
C505	QETB1EM-226	22MF	25V	ELECTRO	
C506	QETB1EM-226	22MF	25V	ELECTRO	
C507	QCS21HJ-101	100PF	50V	CERAMIC	
C508	QCS21HJ-101	100PF	50V	CERAMIC	
C509	QETB1EM-226	22MF	25V	ELECTRO	
C510	QETB1EM-226	22MF	25V	ELECTRO	
C511	QETB1HM-475	4.7MF	50V	ELECTRO	
C512	QETB1HM-475	4.7MF	50V	ELECTRO	
C513	QFV81HJ-684	0.68MF	50V	T.FILM	
C514	QFV81HJ-684	0.68MF	50V	T.FILM	
C515	QFN81HK-104	0.1MF	50V	MYLAR	
C516	QFN81HK-104	0.1MF	50V	MYLAR	
C517	QEB51HM-224	0.22MF	50V	ELECTRO	
C518	QEB51HM-224	0.22MF	50V	ELECTRO	
C519	QFN81HK-473	0.047MF	50V	MYLAR	
C520	QFN81HK-473	0.047MF	50V	MYLAR	
C521	QFN81HK-104	0.1MF	50V	MYLAR	
C522	QFN81HK-104	0.1MF	50V	MYLAR	

Capacitors

ITEM	PART NUMBER	DESCRIPTION			AREA
C523	QFN81HK-153	0.015MF	50V	MYLAR	
C524	QFN81HK-153	0.015MF	50V	MYLAR	
C525	QFN81HK-333	0.033MF	50V	MYLAR	
C526	QFN81HK-333	0.033MF	50V	MYLAR	
C527	QCY21HK-562	5600PF	50V	CERAMIC	
C528	QCY21HK-562	5600PF	50V	CERAMIC	
C529	QFN81HK-123	0.012MF	50V	MYLAR	
C530	QFN81HK-123	0.012MF	50V	MYLAR	
C531	QCY21HK-272	2700PF	50V	CERAMIC	
C532	QCY21HK-272	2700PF	50V	CERAMIC	
C533	QCY21HK-562	5600PF	50V	CERAMIC	
C534	QCY21HK-562	5600PF	50V	CERAMIC	
C535	QCY21HK-102	1000PF	50V	CERAMIC	
C536	QCY21HK-102	1000PF	50V	CERAMIC	
C537	QCY21HK-222	2200PF	50V	CERAMIC	
C538	QCY21HK-222	2200PF	50V	CERAMIC	
C539	QCS21HJ-331	330PF	50V	CERAMIC	
C540	QCS21HJ-331	330PF	50V	CERAMIC	
C541	QETB1CM-226	22MF	16V	ELECTRO	
C542	QETB1CM-226	22MF	16V	ELECTRO	
C543	QCF21HP-223	0.022MF	50V	CERAMIC	
C545	QETB1HM-475	4.7MF	50V	ELECTRO	
C546	QETB1HM-475	4.7MF	50V	ELECTRO	
C547	QETB1CM-226	22MF	16V	ELECTRO	
C548	QETB1CM-226	22MF	16V	ELECTRO	
C551	QETB1EM-106	10MF	25V	ELECTRO	
C552	QETB1EM-106	10MF	25V	ELECTRO	
C553	QCF21HP-223	0.022MF	50V	CERAMIC	
C554	QCF21HP-223	0.022MF	50V	CERAMIC	
C555	QETB1HM-475	4.7MF	50V	ELECTRO	
C556	QCS21HJ-271	270PF	50V	CERAMIC	
C557	QCY21HK-472	4700PF	50V	CERAMIC	
C558	QETB1HM-475	4.7MF	50V	ELECTRO	
C559	QFN81HK-333	0.033MF	50V	MYLAR	
C561	QCS21HJ-471	470PF	50V	CERAMIC	
C562	QCS21HJ-471	470PF	50V	CERAMIC	

Resistors

ITEM	PART NUMBER	DESCRIPTION			AREA
R371	QRD161J-331	330	1/6W	CARBON	A B C D A B C D A B C D A B C D
R372	QRD161J-331	330	1/6W	CARBON	
R373	QRD145J-680S	68	1/4W	UNF. CARBON	
R373	QRD145J-680S	68	1/4W	UNF. CARBON	
R373	QRZ0062-680	68	1/4W	FUSIBLE	
R373	QRZ0062-680	68	1/4W	FUSIBLE	
R374	QRD145J-680S	68	1/4W	UNF. CARBON	
R374	QRD145J-680S	68	1/4W	UNF. CARBON	
R374	QRZ0062-680	68	1/4W	FUSIBLE	
R374	QRZ0062-680	68	1/4W	FUSIBLE	
R375	QRD145J-220S	22	1/4W	UNF. CARBON	
R375	QRD145J-220S	22	1/4W	UNF. CARBON	
R375	QRZ0062-220	22	1/4W	FUSIBLE	
R375	QRZ0062-220	22	1/4W	FUSIBLE	
R376	QRD145J-220S	22	1/4W	UNF. CARBON	
R376	QRD145J-220S	22	1/4W	UNF. CARBON	
R376	QRZ0062-220	22	1/4W	FUSIBLE	
R376	QRZ0062-220	22	1/4W	FUSIBLE	
R377	QRD145J-680S	68	1/4W	UNF. CARBON	
R377	QRD145J-680S	68	1/4W	UNF. CARBON	
R377	QRZ0062-680	68	1/4W	FUSIBLE	
R377	QRZ0062-680	68	1/4W	FUSIBLE	
R378	QRD145J-680S	68	1/4W	UNF. CARBON	
R378	QRD145J-680S	68	1/4W	UNF. CARBON	
R378	QRZ0062-680	68	1/4W	FUSIBLE	
R378	QRZ0062-680	68	1/4W	FUSIBLE	
R378	QRD161J-105	1M	1/6W	CARBON	
R380	QRD161J-105	1M	1/6W	CARBON	
R381	QRD161J-563	56K	1/6W	CARBON	
R382	QRD161J-563	56K	1/6W	CARBON	

Resistors

△	ITEM	PART NUMBER	DESCRIPTION			AREA
	R383	QRD161J-563	56K	1/6W	CARBON	
	R384	QRD161J-563	56K	1/6W	CARBON	
	R385	QRD161J-474	470K	1/6W	CARBON	
	R386	QRD161J-474	470K	1/6W	CARBON	
	R387	QRD161J-103	10K	1/6W	CARBON	

	R388	QRD161J-103	10K	1/6W	CARBON	
	R389	QRD161J-103	10K	1/6W	CARBON	
	R390	QRD161J-103	10K	1/6W	CARBON	
	R391	QRD161J-105	1M	1/6W	CARBON	
	R392	QRD161J-105	1M	1/6W	CARBON	

	R393	QRD161J-103	10K	1/6W	CARBON	
	R394	QRD161J-103	10K	1/6W	CARBON	
	R395	QRD161J-103	10K	1/6W	CARBON	A
	R396	QRD161J-101	100	1/6W	CARBON	A
	R397	QRD161J-221	220	1/6W	CARBON	A

	R398	QRD161J-221	220	1/6W	CARBON	
	R501	QRD161J-473	47K	1/6W	CARBON	
	R502	QRD161J-473	47K	1/6W	CARBON	
	R503	QRD161J-753	75K	1/6W	CARBON	
	R504	QRD161J-753	75K	1/6W	CARBON	

	R505	QRD161J-124	120K	1/6W	CARBON	
	R506	QRD161J-124	120K	1/6W	CARBON	
	R507	QRD161J-102	1K	1/6W	CARBON	
	R508	QRD161J-102	1K	1/6W	CARBON	
	R509	QRD161J-103	10K	1/6W	CARBON	

	R510	QRD161J-103	10K	1/6W	CARBON	
	R511	QRD161J-224	220K	1/6W	CARBON	
	R512	QRD161J-224	220K	1/6W	CARBON	
	R513	QRD161J-224	220K	1/6W	CARBON	
	R514	QRD161J-224	220K	1/6W	CARBON	

	R515	QRD161J-103	10K	1/6W	CARBON	
	R516	QRD161J-103	10K	1/6W	CARBON	
	R517	QRD161J-103	10K	1/6W	CARBON	
	R518	QRD161J-103	10K	1/6W	CARBON	
	R519	QRD161J-104	100K	1/6W	CARBON	

	R520	QRD161J-104	100K	1/6W	CARBON	
△	R521	QRD145J-680S	68	1/4W	UNF. CARBON	A
△	R521	QRD145J-680S	68	1/4W	UNF. CARBON	B
△	R521	QRZ0062-680	68	1/4W	FUSIBLE	C
△	R521	QRZ0062-680	68	1/4W	FUSIBLE	D

△	R522	QRD145J-680S	68	1/4W	UNF. CARBON	A
△	R522	QRD145J-680S	68	1/4W	UNF. CARBON	B
△	R522	QRZ0062-680	68	1/4W	FUSIBLE	C
△	R522	QRZ0062-680	68	1/4W	FUSIBLE	D
△	R523	QRD125J-271	270	1/2W	UNF. CARBON	

△	R524	QRD125J-271	270	1/2W	UNF. CARBON	
	R525	QRD161J-681	680	1/6W	CARBON	
	R526	QRD161J-272	2.7K	1/6W	CARBON	
	R551	QRD161J-563	56K	1/6W	CARBON	
	R552	QRD161J-563	56K	1/6W	CARBON	

	R553	QRD161J-563	56K	1/6W	CARBON	
	R554	QRD161J-474	470K	1/6W	CARBON	
	R555	QRD161J-474	470K	1/6W	CARBON	
	R556	QRD161J-474	470K	1/6W	CARBON	
	R557	QRD161J-563	56K	1/6W	CARBON	

	R558	QRD161J-223	22K	1/6W	CARBON	
	R559	QRD161J-273	27K	1/6W	CARBON	
	R560	QRD161J-154	150K	1/6W	CARBON	
	R561	QRD161J-394	390K	1/6W	CARBON	
	R562	QRD161J-333	33K	1/6W	CARBON	

	R563	QRD161J-474	470K	1/6W	CARBON	
	R564	QRD161J-683	68K	1/6W	CARBON	
	R565	QRD161J-273	27K	1/6W	CARBON	
	R566	QRD161J-223	22K	1/6W	CARBON	
	R567	QRD161J-104	100K	1/6W	CARBON	

△	R569	QRD145J-680S	68	1/4W	UNF. CARBON	A
△	R569	QRD145J-680S	68	1/4W	UNF. CARBON	B
△	R569	QRZ0062-680	68	1/4W	FUSIBLE	C
△	R569	QRZ0062-680	68	1/4W	FUSIBLE	D
△	R570	QRD145J-680S	68	1/4W	UNF. CARBON	A

Resistors

△	ITEM	PART NUMBER	DESCRIPTION			AREA
△	R570	QRD145J-680S	68	1/4W	UNF. CARBON	B
△	R570	QRZ0062-680	68	1/4W	FUSIBLE	C
△	R570	QRZ0062-680	68	1/4W	FUSIBLE	D
	R591	QRD161J-221	220	1/6W	CARBON	
	R593	QRD161J-472	4.7K	1/6W	CARBON	

	R594	QRD161J-472	4.7K	1/6W	CARBON	
	RA501	QRB075J-474	470K		ARRAY	A
	RA502	QRB075J-474	470K		ARRAY	B
	RA502	QRB075J-474	470K		ARRAY	C
	RA502	QRB075J-474	470K		ARRAY	D

	RA502	QRB075J-474	470K		ARRAY	

Others

△	ITEM	PART NUMBER	DESCRIPTION			AREA
	J395	EMZ1004-001	CONNECTOR (CATV)			A
	J396	QMS3533-001	JACK ASSY			
	J397	QMS3533-001	JACK ASSY			
	P301	E04363-006	6P PLUG ASSY			
	P302	E04363-006	6P PLUG ASSY			

	P303	E04363-020	PLUG ASSY			
	P305	EMV7112-006	SOCKET			
	P306	EMV7112-009	SOCKET			
	P307	EMV7112-006	SOCKET			
	P308	EMV7112-003	SOCKET			

	P309	QMV5005-002K	PLUG ASSY			
	P311	EMV5121-030	CONNECTOR			
	P312	EMV7120-008	CONNECTOR			
	P341	E04363-006	6P PLUG ASSY			
	P411	QMV5004-003K	PLUG ASSY			

	S301	ESP0001-007	PUSH SWITCH			
	S302	ESP0001-007	PUSH SWITCH			
	S303	ESP0001-007	PUSH SWITCH			
	S304	ESP0001-007	PUSH SWITCH			
	S305	ESP0001-007	PUSH SWITCH			

	S306	ESP0001-007	PUSH SWITCH			
	S307	ESP0001-007	PUSH SWITCH			
	S308	ESP0001-007	PUSH SWITCH			
	S309	ESP0001-007	PUSH SWITCH			
	S310	ESP0001-007	PUSH SWITCH			

	S311	ESP0001-007	PUSH SWITCH			A
	S312	ESP0001-007	PUSH SWITCH			
	S313	ESP0001-007	PUSH SWITCH			
	S314	ESP0001-007	PUSH SWITCH			
	S315	ESP0001-007	PUSH SWITCH			

	S316	ESF J001-007	PUSH SWITCH			
	S317	ESP0001-007	PUSH SWITCH			
	S318	ESP0001-007	PUSH SWITCH			
	S321	ESP0001-007	PUSH SWITCH			
	S322	ESP0001-007	PUSH SWITCH			

	S323	ESP0001-007	PUSH SWITCH			
	S324	ESP0001-007	PUSH SWITCH			
	S325	ESP0001-007	PUSH SWITCH			
	S326	ESP0001-007	PUSH SWITCH			
	S327	ESP0001-007	PUSH SWITCH			

	S328	ESP0001-007	PUSH SWITCH			
	S329	ESP0001-007	PUSH SWITCH			
	S330	ESP0001-007	PUSH SWITCH			
	S331	ESP0001-007	PUSH SWITCH			
	S332	ESP0001-007	PUSH SWITCH			

	S333	ESP0001-007	PUSH SWITCH			
	S334	ESP0001-007	PUSH SWITCH			
	S335	ESP0001-007	PUSH SWITCH			
	S336	ESP0001-007	PUSH SWITCH			
	S337	ESP0001-007	PUSH SWITCH			

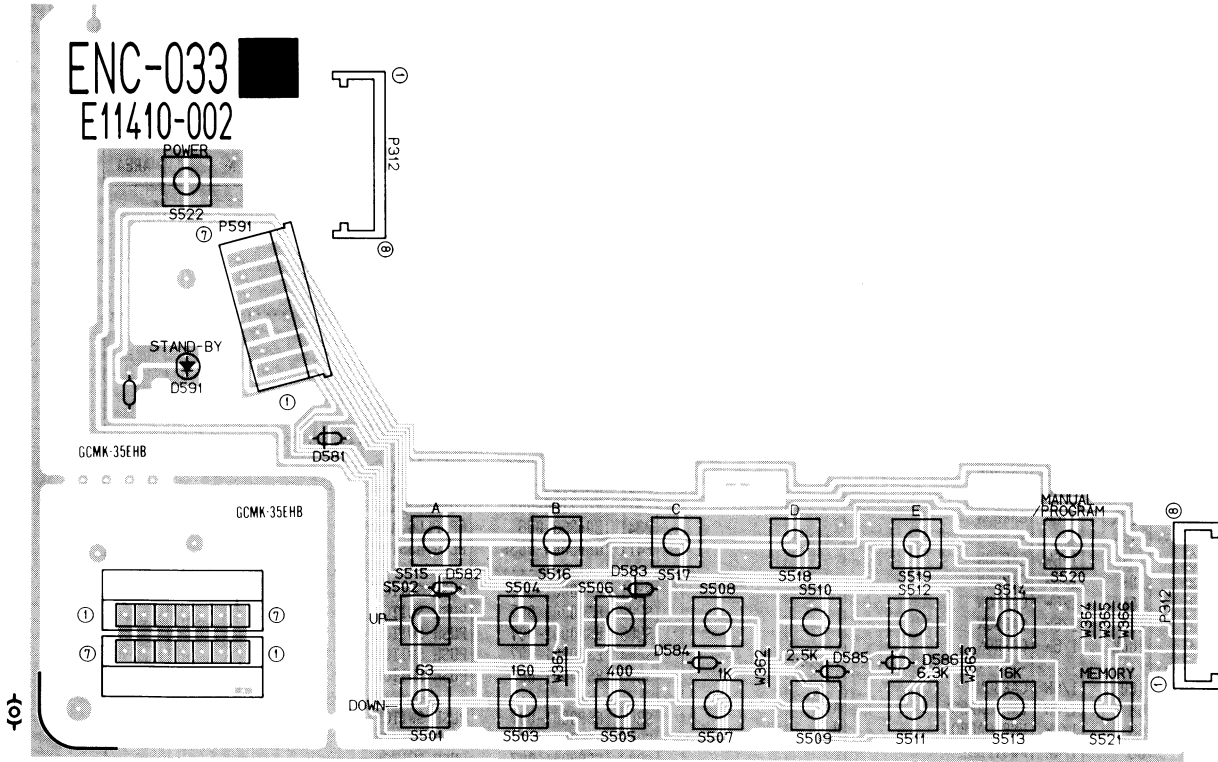
	S396	QSS1F22-E01	SLIDE SWITCH			B
		E11409-002	CIRCUIT BOARD			
		E302321-002	FASTENER			
		E45524-002	FUSE CLIP			
		E70859-001	EARTH PLATE			

RX-550VBK
RX-550VLBK

Others

ITEM	PART NUMBER	DESCRIPTION	AREA
	ENE-032A	VIDEO SW ASSY	A
	ENE-032A	VIDEO SW ASSY	B
	ENE-032A	VIDEO SW ASSY	C
	ENE-032B	VIDEO SW ASSY	D
	GP1U501	PHOTO SENSER	

ENC-033A SEA & Power Switch PC Board Ass'y



Diodes

ITEM	PART NUMBER	DESCRIPTION		AREA
			MAKER	
D581	1SS133	SILICON	ROHM	
D582	1SS133	SILICON	ROHM	
D583	1SS133	SILICON	ROHM	
D584	1SS133	SILICON	ROHM	
D585	1SS133	SILICON	ROHM	
D586	1SS133	SILICON	ROHM	
D591	SL1H-34VC3F	L.E.D.	ROHM	

Others

ITEM	PART NUMBER	DESCRIPTION	AREA
S514	ESP0001-007	PUSH SWITCH	
S515	ESP0001-007	PUSH SWITCH	
S516	ESP0001-007	PUSH SWITCH	
S517	ESP0001-007	PUSH SWITCH	
S518	ESP0001-007	PUSH SWITCH	
S519	ESP0001-007	PUSH SWITCH	
S520	ESP0001-007	PUSH SWITCH	
S521	ESP0001-007	PUSH SWITCH	
S522	ESP0001-007	PUSH SWITCH	
	E11410-002	CIRCUIT BOARD	

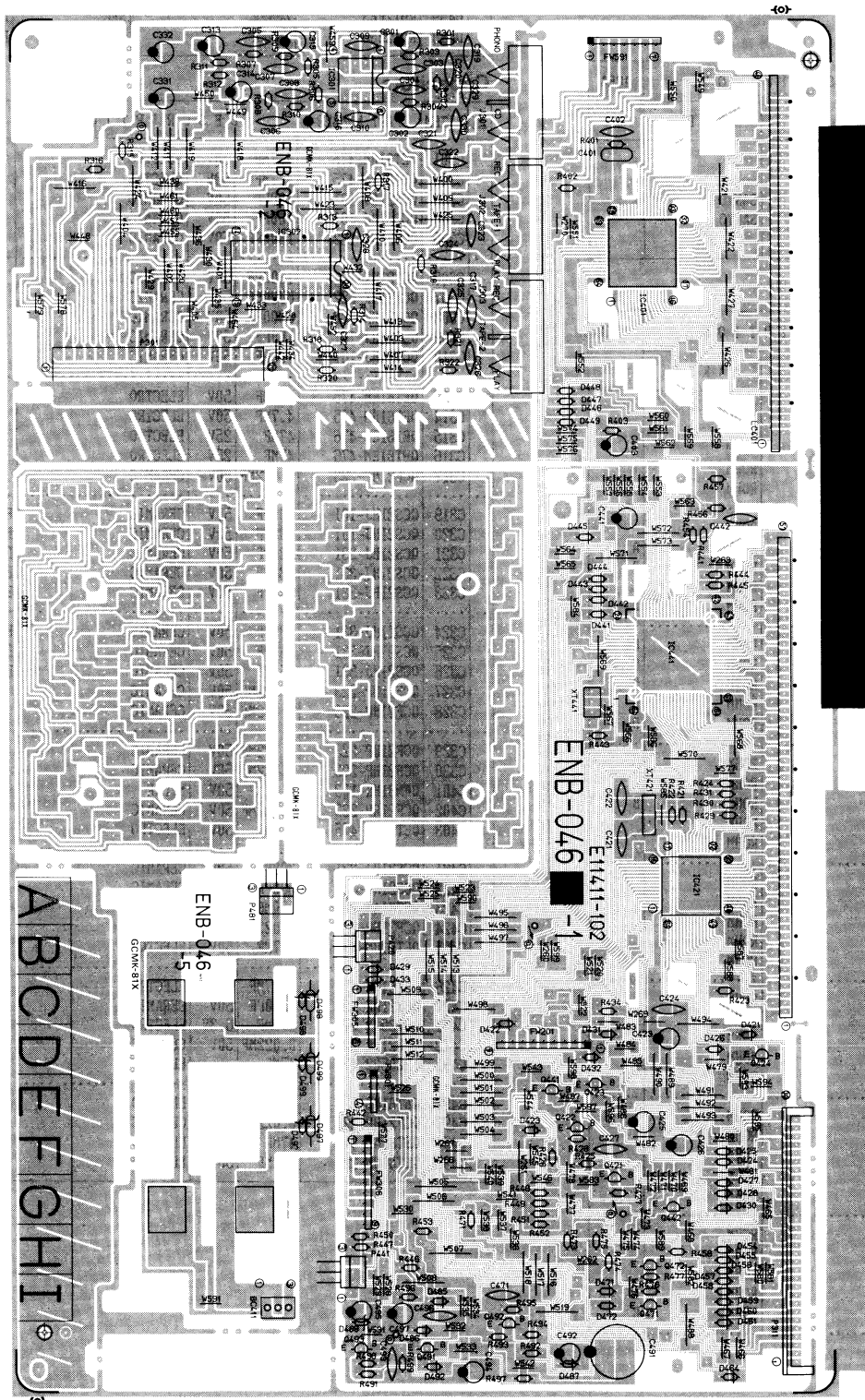
Others

ITEM	PART NUMBER	DESCRIPTION	AREA
P312	EMV5120-008	CONNECTOR	
P591	EMV7112-007R	SOCKET	
S501	ESP0001-007	PUSH SWITCH	
S502	ESP0001-007	PUSH SWITCH	
S503	ESP0001-007	PUSH SWITCH	
S504	ESP0001-007	PUSH SWITCH	
S505	ESP0001-007	PUSH SWITCH	
S506	ESP0001-007	PUSH SWITCH	
S507	ESP0001-007	PUSH SWITCH	
S508	ESP0001-007	PUSH SWITCH	
S509	ESP0001-007	PUSH SWITCH	
S510	ESP0001-007	PUSH SWITCH	
S511	ESP0001-007	PUSH SWITCH	
S512	ESP0001-007	PUSH SWITCH	
S513	ESP0001-007	PUSH SWITCH	

■ ENB-046 □ LCD & Control PC Board Ass'y

Note: ENB-046 □ varies according to the areas employed. See note (1) when placing an order.

PC Board Ass'y	Designated Areas
ENB-046 A	U.S.A. & Canada
ENB-046 B	U.S. Military Market & Other Countries
ENB-046 C	Europe & Australia
ENB-046 D	Europe & U.K. with LW
ENB-046 E	West Germany



RX-550VBK
RX-550VLBK

Transistors

ITEM	PART NUMBER	DESCRIPTION	AREA	
			MAKER	
Q421	2SC458 (C, D)	SILICON	HITACHI	
Q422	2SC458 (C, D)	SILICON	HITACHI	
Q423	DTC144EN	SILICON	ROHM	
Q424	2SC1685 (Q, R)	SILICON		
Q441	DTC144EN	SILICON	ROHM	
Q442	DTA144EN	SILICON	ROHM	
Q471	2SC458 (C, D)	SILICON	HITACHI	
Q472	2SC458 (C, D)	SILICON	HITACHI	
Q491	2SC458 (C, D)	SILICON	HITACHI	
Q492	2SC458 (C, D)	SILICON	HITACHI	
Q493	DTC144EN	SILICON	ROHM	

ICs

ITEM	PART NUMBER	DESCRIPTION	AREA	
			MAKER	
IC301	NJM4558D-D	I. C.		
IC302	TC9164N	I. C.		
IC401	LC7560	I. C.	SANYO	
IC421	LC5813H-246	I. C.	SANYO	
IC441	MN17861JSF1	I. C.		

Diodes

ITEM	PART NUMBER	DESCRIPTION	AREA	
			MAKER	
D421	1SS133	SILICON	ROHM	
D422	1SS133	SILICON	ROHM	
D423	1SS133	SILICON	ROHM	
D424	1SS133	SILICON	ROHM	
D425	1SS133	SILICON	ROHM	
D426	1SS133	SILICON	ROHM	A
D427	1SS133	SILICON	ROHM	B
D428	1SS133	SILICON	ROHM	C
D428	1SS133	SILICON	ROHM	D
D428	1SS133	SILICON	ROHM	E
D429	1SS133	SILICON	ROHM	C
D429	1SS133	SILICON	ROHM	D
D429	1SS133	SILICON	ROHM	E
D429	1SS133	SILICON	ROHM	D
D430	1SS133	SILICON	ROHM	
D431	1SS133	SILICON	ROHM	
D432	1SS133	SILICON	ROHM	B
D433	1SS133	SILICON	ROHM	
D441	1SS133	SILICON	ROHM	
D442	1SS133	SILICON	ROHM	
D443	1SS133	SILICON	ROHM	
D444	1SS133	SILICON	ROHM	
D445	1SS133	SILICON	ROHM	
D446	1SS133	SILICON	ROHM	
D447	1SS133	SILICON	ROHM	
D448	1SS133	SILICON	ROHM	
D449	1SS133	SILICON	ROHM	
D456	1SS133	SILICON	ROHM	
D457	1SS133	SILICON	ROHM	
D459	1SS133	SILICON	ROHM	
D464	1SS133	SILICON	ROHM	
D471	1SS133	SILICON	ROHM	
D472	1SS133	SILICON	ROHM	
D485	1SS133	SILICON	ROHM	
D486	1SS133	SILICON	ROHM	
D487	1SS133	SILICON	ROHM	
D488	MTZ5.6JC	ZENER	ROHM	A
D492	1SS133	SILICON	ROHM	B
D497	MTZ12JC	ZENER	ROHM	
D497	MTZ12JC	ZENER	ROHM	

Diodes

ITEM	PART NUMBER	DESCRIPTION	AREA	
			MAKER	
D497	RD12EB3	ZENER	NEC	C
D497	RD12EB3	ZENER	NEC	D
D497	RD12EB3	ZENER	NEC	E
D498	MTZ12JC	ZENER	ROHM	A
D498	MTZ12JC	ZENER	ROHM	B
D498	RD12EB3	ZENER	NEC	C
D498	RD12EB3	ZENER	NEC	D
D498	RD12EB3	ZENER	NEC	E
D499	MTZ12JC	ZENER	ROHM	A
D499	MTZ12JC	ZENER	ROHM	B
D499	RD12EB3	ZENER	NEC	C
D499	RD12EB3	ZENER	NEC	D
D499	RD12EB3	ZENER	NEC	E

Capacitors

ITEM	PART NUMBER	DESCRIPTION		AREA
C301	QETB1HM-475	4.7MF	50V	ELECTRO
C302	QETB1HM-475	4.7MF	50V	ELECTRO
C303	QCS21HJ-101	100PF	50V	CERAMIC
C304	QCS21HJ-101	100PF	50V	CERAMIC
C305	QCY21HK-182	1800PF	50V	CERAMIC
C306	QCY21HK-182	1800PF	50V	CERAMIC
C307	QCY21HK-682	6800PF	50V	CERAMIC
C308	QCY21HK-682	6800PF	50V	CERAMIC
C309	QCS21HJ-101	100PF	50V	CERAMIC
C310	QCS21HJ-101	100PF	50V	CERAMIC
C313	QETB1HM-475	4.7MF	50V	ELECTRO
C314	QETB1HM-475	4.7MF	50V	ELECTRO
C315	QETB1EM-476	47MF	25V	ELECTRO
C316	QETB1EM-476	47MF	25V	ELECTRO
C317	QCF21HP-223	0.022MF	50V	CERAMIC
C319	QCS21HJ-101	100PF	50V	CERAMIC
C320	QCS21HJ-101	100PF	50V	CERAMIC
C321	QCS21HJ-331	330PF	50V	CERAMIC
C322	QCS21HJ-331	330PF	50V	CERAMIC
C323	QCS21HJ-331	330PF	50V	CERAMIC
C324	QCS21HJ-331	330PF	50V	CERAMIC
C325	QCS21HJ-331	330PF	50V	CERAMIC
C326	QCS21HJ-331	330PF	50V	CERAMIC
C327	QCF21HP-223	0.022MF	50V	CERAMIC
C328	QCF21HP-223	0.022MF	50V	CERAMIC
C329	QCF21HP-223	0.022MF	50V	CERAMIC
C330	QCF21HP-223	0.022MF	50V	CERAMIC
C401	QFN81HK-103	0.01MF	50V	MYLAR
C402	QCF21HP-223	0.022MF	50V	CERAMIC
C403	QETB1HM-475	4.7MF	50V	ELECTRO
C421	QCS21HJ-331	330PF	50V	CERAMIC
C422	QCS21HJ-331	330PF	50V	CERAMIC
C423	QETB1AM-107	100MF	10V	ELECTRO
C424	QCF21HP-223	0.022MF	50V	CERAMIC
C425	QETB1HM-475	4.7MF	50V	ELECTRO
C426	QETB1HM-474	0.47MF	50V	ELECTRO
C427	QCY21HK-222	2200PF	50V	CERAMIC
C441	QETB0JM-477	470MF	6.3V	ELECTRO
C442	QCF21HP-223	0.022MF	50V	CERAMIC
C491	EEZ0502-479	47MF		ELECTRO
C492	QETB1HM-225	2.2MF	50V	ELECTRO
C493	QCF21HP-223	0.022MF	50V	CERAMIC
C494	QETB1AM-476	47MF	10V	ELECTRO
C495	QETB1HM-225	2.2MF	50V	ELECTRO

Resistors

ITEM	PART NUMBER	DESCRIPTION			AREA
R301	QRD161J-222	2.2K	1/6W	CARBON	
R302	QRD161J-222	2.2K	1/6W	CARBON	
R303	QRD161J-473	47K	1/6W	CARBON	
R304	QRD161J-473	47K	1/6W	CARBON	
R305	QRD161J-511	510	1/6W	CARBON	
R306	QRD161J-511	510	1/6W	CARBON	
R307	QRD161J-393	39K	1/6W	CARBON	
R308	QRD161J-393	39K	1/6W	CARBON	
R309	QRD161J-474	470K	1/6W	CARBON	
R310	QRD161J-474	470K	1/6W	CARBON	
R311	QRD161J-104	100K	1/6W	CARBON	
R312	QRD161J-104	100K	1/6W	CARBON	
R313	QRD161J-221	220	1/6W	CARBON	
R314	QRD161J-221	220	1/6W	CARBON	
R315	QRD161J-221	220	1/6W	CARBON	
R316	QRD161J-221	220	1/6W	CARBON	
R317	QRD161J-221	220	1/6W	CARBON	
R318	QRD161J-221	220	1/6W	CARBON	
R319	QRD161J-221	220	1/6W	CARBON	
R320	QRD161J-221	220	1/6W	CARBON	
R321	QRD161J-221	220	1/6W	CARBON	
R322	QRD161J-221	220	1/6W	CARBON	
R401	QRD161J-273	27K	1/6W	CARBON	
R402	QRD161J-121	120	1/6W	CARBON	
R403	QRD161J-331	330	1/6W	CARBON	
R421	QRD161J-105	1M	1/6W	CARBON	
R422	QRD161J-222	2.2K	1/6W	CARBON	
R423	QRD161J-473	47K	1/6W	CARBON	
R424	QRD161J-103	10K	1/6W	CARBON	
R425	QRD161J-471	470	1/6W	CARBON	
R426	QRD161J-103	10K	1/6W	CARBON	
R427	QRD161J-473	47K	1/6W	CARBON	
R428	QRD161J-223	22K	1/6W	CARBON	
R429	QRD161J-104	100K	1/6W	CARBON	
R430	QRD161J-104	100K	1/6W	CARBON	
R431	QRD161J-104	100K	1/6W	CARBON	
R434	QRD161J-105	1M	1/6W	CARBON	
R441	QRD161J-104	100K	1/6W	CARBON	
R442	QRD161J-104	100K	1/6W	CARBON	
R443	QRD161J-104	100K	1/6W	CARBON	
R444	QRD161J-102	1K	1/6W	CARBON	
R445	QRD161J-102	1K	1/6W	CARBON	
R446	QRD161J-102	1K	1/6W	CARBON	
R448	QRD161J-473	47K	1/6W	CARBON	
R449	QRD161J-473	47K	1/6W	CARBON	
R451	QRD161J-473	47K	1/6W	CARBON	
R452	QRD161J-473	47K	1/6W	CARBON	
R454	QRD161J-104	100K	1/6W	CARBON	
R456	QRD161J-104	100K	1/6W	CARBON	
R457	QRD161J-104	100K	1/6W	CARBON	
R458	QRD161J-473	47K	1/6W	CARBON	
R471	QRD161J-473	47K	1/6W	CARBON	
R473	QRD161J-223	22K	1/6W	CARBON	
R474	QRD161J-471	470	1/6W	CARBON	
R475	QRD161J-103	10K	1/6W	CARBON	
R476	QRD161J-473	47K	1/6W	CARBON	
R477	QRD161J-223	22K	1/6W	CARBON	
R491	QRD161J-472	4.7K	1/6W	CARBON	
R492	QRD161J-102	1K	1/6W	CARBON	
R493	QRD161J-473	47K	1/6W	CARBON	
R494	QRD161J-223	22K	1/6W	CARBON	
R495	QRD161J-473	47K	1/6W	CARBON	
R496	QRD161J-222	2.2K	1/6W	CARBON	
R497	QRD161J-331	330	1/6W	CARBON	
R498	QRD161J-103	10K	1/6W	CARBON	
R499	QRD161J-223	22K	1/6W	CARBON	

Others

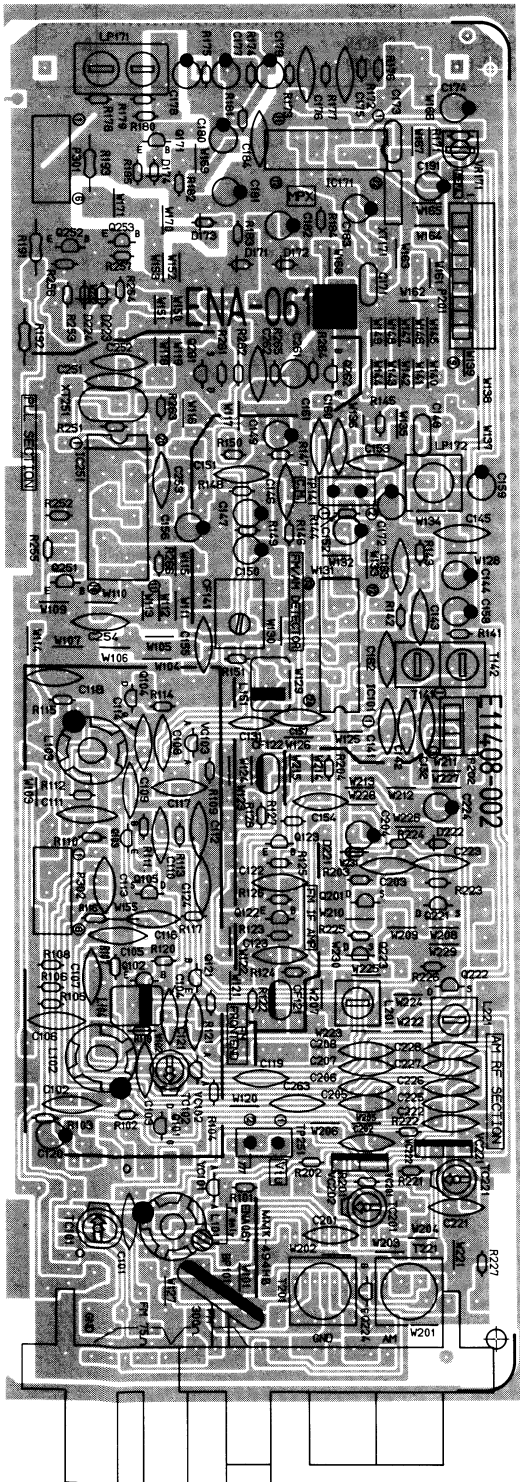
ITEM	PART NUMBER	DESCRIPTION	AREA
J301	EMN00TV-405A	PIN JACK ASSY	
J302	EMN00TV-402A	PIN JACK ASSY	
J303	EMN00TV-405A	PIN JACK ASSY	
LC401	ELU0002-031	LCD PANEL	
LC421	ELU0002-030	LCD PANEL	
P303	E04364-020A	SOCKET ASSY	
P311	EMV7121-030	CONNECTOR	
P420	QMV5004-003K	PLUG ASSY	
P441	QMV5004-003K	PLUG ASSY	
P481	QMV5004-003K	PULAG ASSY	
XT421	ECX0000-400KS	CERA LOCK	
XT441	ECX0072-000EM	RESONATOR	
	E11411-102	CIRCUIT BOARD	
	E45524-002	FUSE CLIP	
	E48269-001	SPACER	C
	E48269-001	SPACER	D
	E48269-001	SPACER	E

RX-550VBK
RX-550VLBK

■ ENA-061 □ Tuner PC Board Ass'y

Note: ENA-061 □ varies according to the areas employed. See note (1) when placing an order.

PC Board Ass'y	Designated Areas
ENA-061 A	U.S.A. & Canada
ENA-061 B	U.S. Military Market & Other Countries
ENA-061 C	Australia
ENA-061 D	Europe
ENA-061 E	Europe & U.K. with LW
ENA-061 F	West Germany



Transistors

ITEM	PART NUMBER	DESCRIPTION	AREA	
			MAKER	
Q101	2SK606 (Q, R)	F. E. T		F
Q101	2SK606 (Q, R, S)	F. E. T		A
Q101	2SK606 (Q, R, S)	F. E. T		B
Q101	2SK606 (Q, R, S)	F. E. T		C
Q101	2SK606 (Q, R, S)	F. E. T		D
Q101	2SK606 (Q, R, S)	F. E. T		E
Q102	2SC535 (B, C)	SILICON	HITACHI	
Q103	2SC461 (C)	SILICON	HITACHI	
Q104	2SK606 (Q, R)	F. E. T		F
Q104	2SK606 (Q, R, S)	F. E. T		A
Q104	2SK606 (Q, R, S)	F. E. T		B
Q104	2SK606 (Q, R, S)	F. E. T		C
Q104	2SK606 (Q, R, S)	F. E. T		D
Q104	2SK606 (Q, R, S)	F. E. T		E
Q105	2SK606 (Q, R)	F. E. T		F
Q121	2SC461 (B, C)	SILICON	HITACHI	
Q122	2SC535 (B, C)	SILICON	HITACHI	
Q123	2SC461 (B, C)	SILICON	HITACHI	
Q171	DTC114YN	SILICON	ROHM	
Q201	2SK301 (Q, R)	F. E. T		
Q221	2SK301 (Q, R)	F. E. T		E
Q222	2SK301 (P, Q)	F. E. T		E
Q223	2SK301 (P, Q)	F. E. T		E
Q224	2SD1302 (S, T)	SILICON		E
Q251	2SA564A (R, S)	SILICON		
Q252	2SA564A (R, S)	SILICON		E
Q253	2SA564A (R, S)	SILICON		
Q261	2SK301 (Q1)	F. E. T		
Q262	2SC458 (D)	SILICON	HITACHI	

ICs

ITEM	PART NUMBER	DESCRIPTION	AREA	
			MAKER	
IC101	LA1266A	I. C.	SANYO	
IC171	LA3401	I. C.	SANYO	
IC251	LM7000N	I. C.	SANYO	

Diodes

ITEM	PART NUMBER	DESCRIPTION	AREA	
			MAKER	
D171	1SS119	SILICON	HITACHI	
D172	1SS119	SILICON	HITACHI	
D173	1SS119	SILICON	HITACHI	
D174	1SS119	SILICON	HITACHI	
D221	1SS119	SILICON	HITACHI	E
D222	1SS119	SILICON	HITACHI	E
D223	1SS119	SILICON	HITACHI	E
D224	1SS119	SILICON	HITACHI	E
VC101	SVC202 (AB)	VALICAP	SANYO	
VC102	SVC202 (AB)	VALICAP	SANYO	

Diodes

ITEM	PART NUMBER	DESCRIPTION		AREA
			MAKER	
VC103	SVC202 (AB)	VALICAP	SANYO	
VC201	KV1236Z	VALICAP	TOKO	
VC202	KV1236Z	VALICAP	TOKO	
VC221	KV1236Z	VALICAP	TOKO	E
VC222	KV1236Z	VALICAP	TOKO	E

Capacitors

ITEM	PART NUMBER	DESCRIPTION			AREA
C101	QCS21HJ-3R0	3.0PF	50V	CERAMIC	F
C102	QCF21HP-102	1000PF	50V	CERAMIC	
C103	QCS21HJ-5R0	5.0PF	50V	CERAMIC	
C104	QCS21HJ-2R0	2.0PF	50V	CERAMIC	A
C104	QCS21HJ-2R0	2.0PF	50V	CERAMIC	B
C104	QCS21HJ-2R0	2.0PF	50V	CERAMIC	C
C104	QCS21HJ-2R0	2.0PF	50V	CERAMIC	D
C104	QCS21HJ-2R0	2.0PF	50V	CERAMIC	E
C104	QCS21HJ-3R0	3.0PF	50V	CERAMIC	F
C105	QCS21HJ-2R0	2.0PF	50V	CERAMIC	A
C105	QCS21HJ-2R0	2.0PF	50V	CERAMIC	B
C105	QCS21HJ-2R0	2.0PF	50V	CERAMIC	C
C105	QCS21HJ-2R0	2.0PF	50V	CERAMIC	D
C105	QCS21HJ-2R0	2.0PF	50V	CERAMIC	E
C106	QCS21HJ-151	150PF	50V	CERAMIC	
C107	QCF21HP-103	0.01MF	50V	CERAMIC	
C108	QCT26TH-100	10PF	50V	CERAMIC	
C109	QCT26CH-7R0	7.0PF	50V	CERAMIC	
C110	QCT26CH-220	22PF	50V	CERAMIC	
C111	QCF21HP-103	0.01MF	50V	CERAMIC	
C112	QCT26CH-100	10PF	50V	CERAMIC	
C113	QCS21HJ-2R0	2.0PF	50V	CERAMIC	A
C113	QCS21HJ-2R0	2.0PF	50V	CERAMIC	B
C113	QCS21HJ-2R0	2.0PF	50V	CERAMIC	C
C113	QCS21HJ-2R0	2.0PF	50V	CERAMIC	D
C113	QCS21HJ-2R0	2.0PF	50V	CERAMIC	E
C113	QCS21HJ-2R0	2.0PF	50V	CERAMIC	F
C114	QCT26CH-2R0	2.0PF	50V	CERAMIC	
C116	QCS21HJ-3R0	3.0PF	50V	CERAMIC	F
C117	QCC21EM-473	0.047MF	25V	CERAMIC	
C118	QCF21HP-103	0.01MF	50V	CERAMIC	
C119	QCS21HJ-101	100PF	50V	CERAMIC	F
C120	QETB1EM-226	22MF	25V	ELECTRO	
C121	QCS21HJ-220	22PF	50V	CERAMIC	
C122	QCF21HP-223	0.022MF	50V	CERAMIC	
C123	QCF21HP-223	0.022MF	50V	CERAMIC	
C131	QCS21HJ-101	100PF	50V	CERAMIC	
C141	QCF21HP-223	0.022MF	50V	CERAMIC	
C142	QCC21EM-223	0.022MF	25V	CERAMIC	
C143	QCF21HP-223	0.022MF	50V	CERAMIC	
C144	QETB1EM-105	1MF	50V	ELECTRO	
C145	QCS21HJ-101	100PF	50V	CERAMIC	C
C145	QCS21HJ-101	100PF	50V	CERAMIC	D
C145	QCS21HJ-101	100PF	50V	CERAMIC	E
C145	QCS21HJ-101	100PF	50V	CERAMIC	F
C145	QCS21HJ-101	100PF	50V	CERAMIC	A
C145	QCS21HJ-101	100PF	50V	CERAMIC	B
C146	QCF21HP-223	0.022MF	50V	CERAMIC	
C147	QETB1EM-225	2.2MF	50V	ELECTRO	
C148	QFN81HK-332	3300PF	50V	MYLAR	
C149	QETB1EM-225	2.2MF	50V	ELECTRO	
C150	QETB1EM-475	4.7MF	50V	ELECTRO	
C151	QCF21HP-223	0.022MF	50V	CERAMIC	
C152	QETB1EM-106	10MF	25V	ELECTRO	
C153	QCF21HP-223	0.022MF	50V	CERAMIC	
C154	QCF21HP-223	0.022MF	50V	CERAMIC	
C155	QCF21HP-223	0.022MF	50V	CERAMIC	
C156	QETB1EM-106	10MF	25V	ELECTRO	
C157	QCY21HK-102	1000PF	50V	CERAMIC	

Capacitors

ITEM	PART NUMBER	DESCRIPTION			AREA
C158	QETB1EM-226	22MF	25V	ELECTRO	
C159	QETB1EM-475	4.7MF	50V	ELECTRO	
C160	QCS21HJ-101	100PF	50V	CERAMIC	
C161	QCS21HJ-101	100PF	50V	CERAMIC	
C162	QCC21EM-223	0.022MF	25V	CERAMIC	
C163	QCF21HP-223	0.022MF	50V	CERAMIC	
C171	QFN81HK-223	0.022MF	50V	MYLAR	C
C171	QFN81HK-223	0.022MF	50V	MYLAR	D
C171	QFN81HK-223	0.022MF	50V	MYLAR	E
C171	QFN81HK-223	0.022MF	50V	MYLAR	F
C171	QFN81HK-333	0.033MF	50V	MYLAR	A
C171	QFN81HK-333	0.033MF	50V	MYLAR	B
C172	QETB1EM-106	10MF	25V	ELECTRO	
C173	QFN81HK-473	0.047MF	50V	MYLAR	
C174	QETB1EM-106	10MF	25V	ELECTRO	
C175	QCS21HJ-271	270PF	50V	CERAMIC	C
C175	QCS21HJ-271	270PF	50V	CERAMIC	D
C175	QCS21HJ-271	270PF	50V	CERAMIC	E
C175	QCS21HJ-271	270PF	50V	CERAMIC	F
C175	QCS21HJ-561	560PF	50V	CERAMIC	A
C175	QCS21HJ-561	560PF	50V	CERAMIC	B
C176	QCS21HJ-271	270PF	50V	CERAMIC	C
C176	QCS21HJ-271	270PF	50V	CERAMIC	D
C176	QCS21HJ-271	270PF	50V	CERAMIC	E
C176	QCS21HJ-271	270PF	50V	CERAMIC	F
C176	QCS21HJ-561	560PF	50V	CERAMIC	A
C176	QCS21HJ-561	560PF	50V	CERAMIC	B
C177	QETB1EM-225	2.2MF	50V	ELECTRO	
C178	QETB1EM-225	2.2MF	50V	ELECTRO	
C179	QETB1EM-225	2.2MF	50V	ELECTRO	
C180	QETB1EM-105	1MF	50V	ELECTRO	
C181	QETB1EM-105	1MF	50V	ELECTRO	
C182	QETB1EM-474	0.47MF	50V	ELECTRO	
C183	QETB1EM-225	2.2MF	50V	ELECTRO	
C184	QCY21HK-102	1000PF	50V	CERAMIC	
C191	QETB1EM-226	22MF	25V	ELECTRO	
C202	QCC21EM-223	0.022MF	25V	CERAMIC	
C203	QCS21HJ-561	560PF	50V	CERAMIC	
C204	QETB1EM-226	22MF	25V	ELECTRO	
C205	QCT26CH-100	10PF	50V	CERAMIC	
C206	QCT26CH-100	10PF	50V	CERAMIC	
C207	QCT26CH-221	220PF	50V	CERAMIC	
C208	QCT26CH-271	270PF	50V	CERAMIC	
C221	QCS21HJ-330	33PF	50V	CERAMIC	E
C222	QCC21EM-473	0.047MF	25V	CERAMIC	E
C223	QCF21HP-103	0.01MF	50V	CERAMIC	E
C224	QETB1EM-226	22MF	25V	ELECTRO	E
C225	QCT26CH-680	68PF	50V	CERAMIC	E
C226	QCT26CH-7R0	7.0PF	50V	CERAMIC	E
C227	QCT26CH-150	15PF	50V	CERAMIC	E
C228	QCT26CH-151	150PF	50V	CERAMIC	E
C251	QCS21HJ-180	18PF	50V	CERAMIC	
C252	QCS21HJ-180	18PF	50V	CERAMIC	
C253	QCC21EM-473	0.047MF	25V	CERAMIC	
C254	QCF21HP-103	0.01MF	50V	CERAMIC	
C261	QEN51HM-474	0.47MF	50V	NON POLE	
C262	QCY21HK-102	1000PF	50V	CERAMIC	
C263	QCF21HP-223	0.022MF	50V	CERAMIC	
TC101	ENZ1003-003			TRIMMER	
TC102	ENZ1003-003			TRIMMER	
TC201	ENZ1003-006			TRIMMER	
TC221	ENZ1003-006			TRIMMER	E

RX-550VBK
RX-550VLBK

Resistors

△	ITEM	PART NUMBER	DESCRIPTION			AREA
	R101	QRD161J-473	47K	1/6W	CARBON	
	R102	QRD161J-330	33	1/6W	CARBON	
	R103	QRD161J-221	220	1/6W	CARBON	
	R104	QRD161J-473	47K	1/6W	CARBON	
	R105	QRD161J-332	3.3K	1/6W	CARBON	
	R106	QRD161J-223	22K	1/6W	CARBON	
	R107	QRD161J-102	1K	1/6W	CARBON	
	R108	QRD161J-102	1K	1/6W	CARBON	
	R109	QRD161J-562	5.6K	1/6W	CARBON	
	R110	QRD161J-561	560	1/6W	CARBON	
	R111	QRD161J-103	10K	1/6W	CARBON	
	R112	QRD161J-682	6.8K	1/6W	CARBON	
	R113	QRD161J-222	2.2K	1/6W	CARBON	
	R114	QRD161J-224	220K	1/6W	CARBON	
	R115	QRD161J-331	330	1/6W	CARBON	
	R116	QRD161J-224	220K	1/6W	CARBON	F
	R117	QRD161J-331	330	1/6W	CARBON	F
	R120	QRD161J-331	330	1/6W	CARBON	
	R121	QRD161J-332	3.3K	1/6W	CARBON	
	R122	QRD161J-221	220	1/6W	CARBON	
	R123	QRD161J-272	2.7K	1/6W	CARBON	
	R124	QRD161J-391	390	1/6W	CARBON	
	R125	QRD161J-102	1K	1/6W	CARBON	
	R126	QRD161J-681	680	1/6W	CARBON	
	R127	QRD161J-332	3.3K	1/6W	CARBON	
	R128	QRD161J-221	220	1/6W	CARBON	
	R141	QRD161J-822	8.2K	1/6W	CARBON	
	R142	QRD161J-102	1K	1/6W	CARBON	
	R143	QRD161J-183	18K	1/6W	CARBON	A
	R143	QRD161J-333	33K	1/6W	CARBON	B
	R143	QRD161J-333	33K	1/6W	CARBON	C
	R143	QRD161J-333	33K	1/6W	CARBON	D
	R143	QRD161J-333	33K	1/6W	CARBON	E
	R143	QRD161J-333	33K	1/6W	CARBON	F
	R144	QRD161J-561	560	1/6W	CARBON	
	R145	QRD161J-103	10K	1/6W	CARBON	A
	R145	QRD161J-103	10K	1/6W	CARBON	B
	R145	QRD161J-333	33K	1/6W	CARBON	C
	R145	QRD161J-333	33K	1/6W	CARBON	D
	R145	QRD161J-333	33K	1/6W	CARBON	E
	R145	QRD161J-333	33K	1/6W	CARBON	F
	R146	QRD161J-221	220	1/6W	CARBON	
	R147	QRD161J-103	10K	1/6W	CARBON	
	R148	QRD161J-223	22K	1/6W	CARBON	
	R149	QRD161J-473	47K	1/6W	CARBON	
	R150	QRD161J-103	10K	1/6W	CARBON	
	R151	QRD161J-334	330K	1/6W	CARBON	
	R171	QRD161J-393	39K	1/6W	CARBON	A
	R171	QRD161J-393	39K	1/6W	CARBON	B
	R172	QRD161J-124	120K	1/6W	CARBON	A
	R172	QRD161J-124	120K	1/6W	CARBON	B
	R172	QRD161J-184	180K	1/6W	CARBON	C
	R172	QRD161J-184	180K	1/6W	CARBON	D
	R172	QRD161J-184	180K	1/6W	CARBON	E
	R172	QRD161J-184	180K	1/6W	CARBON	F
	R173	QRD161J-124	120K	1/6W	CARBON	A
	R173	QRD161J-124	120K	1/6W	CARBON	B
	R173	QRD161J-184	180K	1/6W	CARBON	C
	R173	QRD161J-184	180K	1/6W	CARBON	D
	R173	QRD161J-184	180K	1/6W	CARBON	E
	R173	QRD161J-184	180K	1/6W	CARBON	F
	R174	QRD161J-332	3.3K	1/6W	CARBON	
	R175	QRD161J-332	3.3K	1/6W	CARBON	
	R176	QRD161J-184	180K	1/6W	CARBON	A
	R176	QRD161J-184	180K	1/6W	CARBON	B
	R176	QRD161J-274	270K	1/6W	CARBON	C
	R176	QRD161J-274	270K	1/6W	CARBON	D
	R176	QRD161J-274	270K	1/6W	CARBON	E
	R176	QRD161J-274	270K	1/6W	CARBON	F
	R177	QRD161J-184	180K	1/6W	CARBON	A

Resistors

△	ITEM	PART NUMBER	DESCRIPTION			AREA
	R177	QRD161J-184	180K	1/6W	CARBON	B
	R177	QRD161J-274	270K	1/6W	CARBON	C
	R177	QRD161J-274	270K	1/6W	CARBON	D
	R177	QRD161J-274	270K	1/6W	CARBON	E
	R177	QRD161J-274	270K	1/6W	CARBON	F
	R178	QRD161J-682	6.8K	1/6W	CARBON	
	R179	QRD161J-682	6.8K	1/6W	CARBON	
	R180	QRD161J-103	10K	1/6W	CARBON	
	R181	QRD161J-103	10K	1/6W	CARBON	
	R182	QRD161J-103	10K	1/6W	CARBON	
	R183	QRD161J-103	10K	1/6W	CARBON	
	R184	QRD161J-562	5.6K	1/6W	CARBON	
	R185	QRD161J-562	5.6K	1/6W	CARBON	
	△ R191	QRD145J-680S	68	1/4W	UNF. CARBON	A
	△ R191	QRD145J-680S	68	1/4W	UNF. CARBON	B
	△ R191	QRZ0062-680	68	1/4W	FUSIBLE	C
	△ R191	QRZ0062-680	68	1/4W	FUSIBLE	D
	△ R191	QRZ0062-680	68	1/4W	FUSIBLE	E
	△ R191	QRZ0062-680	68	1/4W	FUSIBLE	F
	△ R192	QRD145J-680S	68	1/4W	UNF. CARBON	A
	△ R192	QRD145J-680S	68	1/4W	UNF. CARBON	B
	△ R192	QRZ0062-680	68	1/4W	FUSIBLE	C
	△ R192	QRZ0062-680	68	1/4W	FUSIBLE	D
	△ R192	QRZ0062-680	68	1/4W	FUSIBLE	E
	△ R192	QRZ0062-680	68	1/4W	FUSIBLE	F
	△ R193	QRD145J-680S	68	1/4W	UNF. CARBON	A
	△ R193	QRD145J-680S	68	1/4W	UNF. CARBON	B
	△ R193	QRZ0062-680	68	1/4W	FUSIBLE	C
	△ R193	QRZ0062-680	68	1/4W	FUSIBLE	D
	△ R193	QRZ0062-680	68	1/4W	FUSIBLE	E
	△ R193	QRZ0062-680	68	1/4W	FUSIBLE	F
	△ R193	QRZ0062-680	68	1/4W	FUSIBLE	F
	R201	QRD161J-103	10K	1/6W	CARBON	
	R202	QRD161J-473	47K	1/6W	CARBON	
	R203	QRD161J-331	330	1/6W	CARBON	
	R204	QRD161J-100	10	1/6W	CARBON	
	R221	QRD161J-103	10K	1/6W	CARBON	E
	R222	QRD161J-473	47K	1/6W	CARBON	E
	R223	QRD161J-331	330	1/6W	CARBON	E
	R224	QRD161J-103	10K	1/6W	CARBON	E
	R225	QRD161J-103	10K	1/6W	CARBON	E
	R226	QRD161J-103	10K	1/6W	CARBON	E
	R227	QRD161J-472	4.7K	1/6W	CARBON	E
	R251	QRD161J-473	47K	1/6W	CARBON	
	R252	QRD161J-103	10K	1/6W	CARBON	
	R253	QRD161J-103	10K	1/6W	CARBON	
	R254	QRD161J-103	10K	1/6W	CARBON	E
	R255	QRD161J-473	47K	1/6W	CARBON	
	R256	QRD161J-473	47K	1/6W	CARBON	
	R257	QRD161J-473	47K	1/6W	CARBON	E
	R261	QRD161J-222	2.2K	1/6W	CARBON	
	R262	QRD161J-271	270	1/6W	CARBON	
	R263	QRD161J-103	10K	1/6W	CARBON	A
	R263	QRD161J-103	10K	1/6W	CARBON	B
	R263	QRD161J-103	10K	1/6W	CARBON	C
	R263	QRD161J-103	10K	1/6W	CARBON	D
	R263	QRD161J-222	2.2K	1/6W	CARBON	E
	R263	QRD161J-222	2.2K	1/6W	CARBON	F
	R264	QRD161J-472	4.7K	1/6W	CARBON	
	R265	QRD161J-332	3.3K	1/6W	CARBON	A
	R265	QRD161J-332	3.3K	1/6W	CARBON	B
	R265	QRD161J-332	3.3K	1/6W	CARBON	C
	R265	QRD161J-332	3.3K	1/6W	CARBON	D
	R265	QRD161J-822	8.2K	1/6W	CARBON	E
	R265	QRD161J-822	8.2K	1/6W	CARBON	F
	R266	QRD161J-222	2.2K	1/6W	CARBON	

Resistors

△	ITEM	PART NUMBER	DESCRIPTION	AREA
	VR171	QVZ3518-104	VARIABLE VARIABLE VARIABLE VARIABLE	C
	VR171	QVZ3518-104		D
	VR171	QVZ3518-104		E
	VR171	QVZ3518-104		F

Others

△	ITEM	PART NUMBER	DESCRIPTION	AREA
	BP101	EQF0201-006	FILTER	F
	CF121	ECB2118-001R	CERAMIC FILTER	C
	CF121	ECB2118-001R	CERAMIC FILTER	D
	CF121	ECB2118-001R	CERAMIC FILTER	E
	CF121	ECB2118-001R	CERAMIC FILTER	F
	CF121	ECB2123-001R	CERAMIC FILTER	A
	CF121	ECB2123-001R	CERAMIC FILTER	B
	CF122	ECB2118-001R	CERAMIC FILTER	C
	CF122	ECB2118-001R	CERAMIC FILTER	D
	CF122	ECB2118-001R	CERAMIC FILTER	E
	CF122	ECB2118-001R	CERAMIC FILTER	F
	CF122	ECB2123-001R	CERAMIC FILTER	A
	CF122	ECB2123-001R	CERAMIC FILTER	B
	CF141	ECB1560-006	CERAMIC FILTER	F
	L101	EQR2306-014	RF COIL	A
	L101	EQR2306-014	RF COIL	B
	L101	EQR2306-014	RF COIL	C
	L101	EQR2306-014	RF COIL	D
	L101	EQR2306-014	RF COIL	E
	L101	EQR2306-016	RF COIL	F
	L102	EQR2106-014	RF COIL	
	L103	EQR2406-004	RF COIL	
	L104	EQL3001-1R5KY	INDUCTOR	
	L151	EQL3001-101KY	INDUCTOR	A
	L151	EQL3001-101KY	INDUCTOR	B

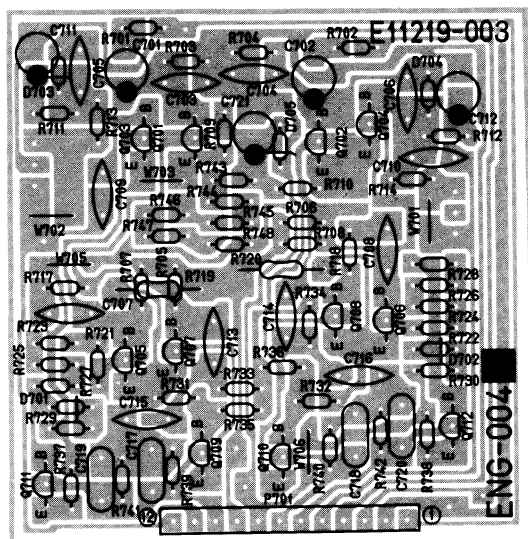
Others

△	ITEM	PART NUMBER	DESCRIPTION	AREA
	L151	EQL3001-101KY	INDUCTOR	C
	L151	EQL3001-101KY	INDUCTOR	D
	L151	EQL3001-102KY	INDUCTOR	E
	L151	EQL3001-102KY	INDUCTOR	F
	L201	EQR1207-009	RF COIL	
	L221	EQR1307-002	RF COIL	E
	LP171	EQF0101-002	FILTER	
	LP172	EQF0102-001	FILTER	F
	P201	EMV7112-009	SOCKET	
	P202	EMV7112-003	SOCKET	
	P301	E04364-006A	6P SOCKET ASSY	
	P302	E04364-006A	6P SOCKET ASSY	
	T141	EQT2140-012	I.F. TRANSFORMER	
	T142	EQT2140-013	I.F. TRANSFORMER	
	T201	EQR1111-006	RF COIL	
	T221	EQR1111-005	RF COIL	E
	TP141	E67764-002	TERMINAL ASSY	
	TP251	E67764-002	TERMINAL ASSY	
	XT171	ECX0000-456KR	RESONATOR	
	XT251	ECX0007-200KC	X'TAL	
	E11408-002		CIRCUIT BOARD	
	E304645-001		SHIELD CASE	
	EMB41YV-301K		ANTENNA TERMINAL	F
	EMB41YV-501K		ANTENNA TERMINAL	E

■ ENG-004 Pre-Drive PC Board Ass'y

Note: ENG-004 varies according to the areas employed. See note (1) when placing an order.

PC Board Ass'y	Designated Areas
ENG-004 <input type="checkbox"/> G	U.S.A., Canada, U.S. Military Market & Other Countries
ENG-004 <input type="checkbox"/> H	Europe & Australia
ENG-004 <input type="checkbox"/> I	West Germany



Transistors

△	ITEM	PART NUMBER	DESCRIPTION	AREA
				MAKER
	Q701	2SC2240 (A, B)	SILICON	
	Q702	2SC2240 (A, B)	SILICON	
	Q703	2SC2240 (A, B)	SILICON	
	Q704	2SC2240 (A, B)	SILICON	
	Q705	2SA1038 (S, E)	SILICON	
	Q706	2SA1038 (S, E)	SILICON	ROHM
	Q707	2SA933LN (R, S)	SILICON	ROHM
	Q708	2SA933LN (R, S)	SILICON	ROHM
	Q709	2SA1038 (S, E)	SILICON	ROHM
	Q710	2SA1038 (S, E)	SILICON	ROHM
	Q711	2SC2389 (S, E)	SILICON	ROHM
	Q712	2SC2389 (S, E)	SILICON	ROHM

RX-550VBK
RX-550VLBK

Diodes

ITEM	PART NUMBER	DESCRIPTION			AREA
				MAKER	
D701	1SS133	SILICON		ROHM	H I H
D702	1SS133	SILICON		ROHM	
D703	1SS133	SILICON		ROHM	
D703	1SS133	SILICON		ROHM	
D704	1SS133	SILICON		ROHM	
D704	1SS133	SILICON		ROHM	I
D705	MTZ22JC	ZENER		ROHM	

Capacitors

ITEM	PART NUMBER	DESCRIPTION			AREA
C701	QETB1HM-475	4.7MF	50V	ELECTRO	
C702	QETB1HM-475	4.7MF	50V	ELECTRO	
C703	QCS21HJ-271	270PF	50V	CERAMIC	
C704	QCS21HJ-271	270PF	50V	CERAMIC	
C705	QCS21HJ-101	100PF	50V	CERAMIC	
C706	QCS21HJ-101	100PF	50V	CERAMIC	
C707	QCY21HK-332	3300PF	50V	CERAMIC	
C708	QCY21HK-332	3300PF	50V	CERAMIC	
C709	QCS21HJ-7R0	7.0PF	50V	CERAMIC	
C710	QCS21HJ-7R0	7.0PF	50V	CERAMIC	
C711	QETB1CM-476	47MF	16V	ELECTRO	
C712	QETB1CM-476	47MF	16V	ELECTRO	
C713	QCS21HJ-220	22PF	50V	CERAMIC	
C714	QCS21HJ-220	22PF	50V	CERAMIC	
C715	QCS21HJ-121	120PF	50V	CERAMIC	
C716	QCS21HJ-121	120PF	50V	CERAMIC	
C717	QFN81HJ-822	8200PF	50V	MYLAR	
C718	QFN81HJ-822	8200PF	50V	MYLAR	
C719	QFN81HJ-822	8200PF	50V	MYLAR	
C720	QFN81HJ-822	8200PF	50V	MYLAR	
C721	QETB1EM-106	10MF	25V	ELECTRO	

Resistors

ITEM	PART NUMBER	DESCRIPTION			AREA
R701	QRD161J-222	2.2K	1/6W	CARBON	
R702	QRD161J-222	2.2K	1/6W	CARBON	
R703	QRD161J-104	100K	1/6W	CARBON	
R704	QRD161J-104	100K	1/6W	CARBON	
R705	QRD161J-202	2K	1/6W	CARBON	
R706	QRD161J-202	2K	1/6W	CARBON	
R707	QRD161J-202	2K	1/6W	CARBON	
R708	QRD161J-202	2K	1/6W	CARBON	
R709	QRD161J-103	10K	1/6W	CARBON	
R710	QRD161J-103	10K	1/6W	CARBON	
R711	QRD161J-202	2K	1/6W	CARBON	
R712	QRD161J-202	2K	1/6W	CARBON	
R713	QRD161J-104	100K	1/6W	CARBON	
R714	QRD161J-104	100K	1/6W	CARBON	
R717	QRD161J-101	100	1/6W	CARBON	
R718	QRD161J-101	100	1/6W	CARBON	
R719	QRD145J-121S	120	1/4W	UNF. CARBON	
R720	QRD145J-121S	120	1/4W	UNF. CARBON	
R723	QRD144J-472S	4.7K	1/4W	CARBON	
R724	QRD144J-472S	4.7K	1/4W	CARBON	
R727	QRD144J-472S	4.7K	1/4W	CARBON	
R728	QRD144J-472S	4.7K	1/4W	CARBON	
R729	QRD161J-391	390	1/6W	CARBON	
R730	QRD161J-391	390	1/6W	CARBON	
R731	QRD161J-152	1.5K	1/6W	CARBON	
R732	QRD161J-152	1.5K	1/6W	CARBON	
R733	QRD161J-152	1.5K	1/6W	CARBON	
R734	QRD161J-152	1.5K	1/6W	CARBON	
R735	QRD161J-333	33K	1/6W	CARBON	
R736	QRD161J-333	33K	1/6W	CARBON	

Resistors

ITEM	PART NUMBER	DESCRIPTION			AREA
R737	QRD161J-391	390	1/6W	CARBON	G H I
R738	QRD161J-391	390	1/6W	CARBON	
R739	QRD161J-682	6.8K	1/6W	CARBON	
R740	QRD161J-682	6.8K	1/6W	CARBON	
R741	QRD161J-682	6.8K	1/6W	CARBON	
R742	QRD161J-682	6.8K	1/6W	CARBON	
R743	QRD161J-511	510	1/6W	CARBON	
R744	QRD161J-511	510	1/6W	CARBON	
R745	QRD125J-182	1.8K	1/2W	UNF. CARBON	
R747	QRD161J-511	510	1/6W	CARBON	
R748	QRD161J-511	510	1/6W	CARBON	
R748	QRD161J-511	510	1/6W	CARBON	
R748	QRD161J-511	510	1/6W	CARBON	

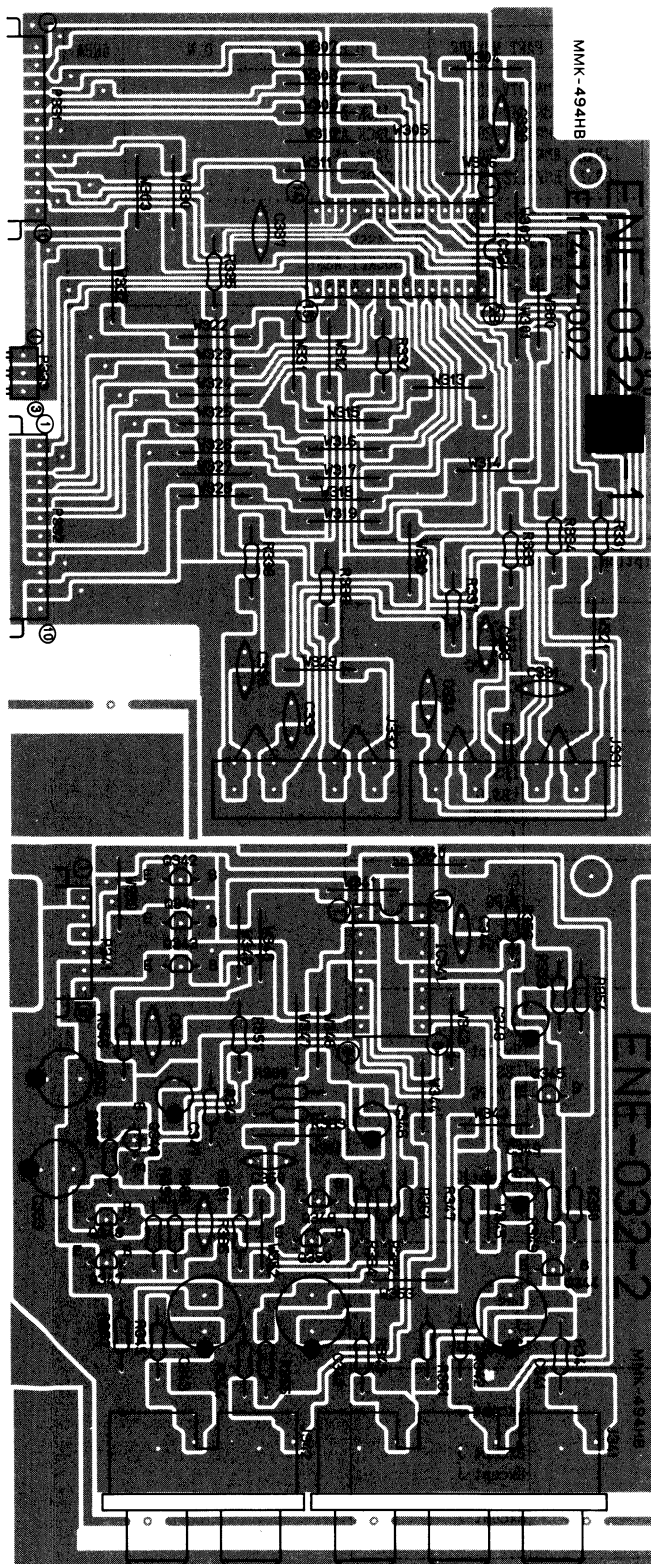
Others

ITEM	PART NUMBER	DESCRIPTION	AREA
P701	EMV5101-012B E11219-003	PLUG ASSY CIRCUIT BOARD	

■ ENE-032 Video Switch PC Board Ass'y

Note: ENH-032 varies according to the areas employed. See note (1) when placing an order.

PC Board Ass'y	Designated Areas
ENE-032 <input type="checkbox"/> A	U.S.A., Canada, Europe, U.K., Australia, U.S. Military Market & Other Countries
ENE-032 <input type="checkbox"/> B	West Germany



Transistors

ITEM	PART NUMBER	DESCRIPTION		AREA
			MAKER	
Q341	DTA114YN	SILICON	ROHM	
Q342	DTC144EN	SILICON	ROHM	
Q343	DTC144EN	SILICON	ROHM	
Q344	2SC458 (C, D)	SILICON	HITACHI	
Q345	2SC458 (C, D)	SILICON	HITACHI	
Q346	2SC458 (C, D)	SILICON	HITACHI	
Q347	2SC458 (C, D)	SILICON	HITACHI	
Q348	2SC458 (C, D)	SILICON	HITACHI	
Q349	2SC458 (C, D)	SILICON	HITACHI	
Q350	2SC458 (C, D)	SILICON	HITACHI	

ICs

ITEM	PART NUMBER	DESCRIPTION		AREA
			MAKER	
IC331	TC9162N	I.C.		
IC341	LC4966	I.C.	SANYO	

Capacitors

ITEM	PART NUMBER	DESCRIPTION			AREA
C331	QCF21HP-223	0.022MF	50V	CERAMIC	B B B B
C333	QCS21HJ-331	330PF	50V	CERAMIC	
C334	QCS21HJ-331	330PF	50V	CERAMIC	
C335	QCS21HJ-331	330PF	50V	CERAMIC	
C336	QCS21HJ-331	330PF	50V	CERAMIC	
C337	QCF21HP-223	0.022MF	50V	CERAMIC	
C338	QCF21HP-223	0.022MF	50V	CERAMIC	
C341	QETB0JM-108	1000MF	6.3V	ELECTRO	
C342	QETB0JM-108	1000MF	6.3V	ELECTRO	
C343	QETB0JM-108	1000MF	6.3V	ELECTRO	
C344	QCV21HK-102	1000PF	50V	CERAMIC	
C345	QCF21HP-223	0.022MF	50V	CERAMIC	
C346	QETB1CM-476	47MF	16V	ELECTRO	
C347	QETB1CM-476	47MF	16V	ELECTRO	
C348	QETB1CM-476	47MF	16V	ELECTRO	
C349	QETB1CM-476	47MF	16V	ELECTRO	
C350	QCS21HJ-331	330PF	50V	CERAMIC	
C352	QETB1CM-477	470MF	16V	ELECTRO	
C353	QETB1CM-477	470MF	16V	ELECTRO	
C355	QFN81HJ-104	0.1MF	50V	MYLAR	
C356	QFN81HJ-104	0.1MF	50V	MYLAR	

RX-550VBK
RX-550VLBK

Resistors

△	ITEM	PART NUMBER	DESCRIPTION			AREA
	R331	QRD148J-471S	470	1/4W	CARBON	
	R332	QRD148J-471S	470	1/4W	CARBON	
	R333	QRD148J-221S	220	1/4W	CARBON	
	R334	QRD148J-221S	220	1/4W	CARBON	
	R335	QRD148J-471S	470	1/4W	CARBON	
	R336	QRD148J-471S	470	1/4W	CARBON	
	R337	QRD148J-221S	220	1/4W	CARBON	
	R338	QRD148J-221S	220	1/4W	CARBON	
	R341	QRD148J-750S	75	1/4W	CARBON	
	R342	QRD148J-750S	75	1/4W	CARBON	
	R343	QRD148J-750S	75	1/4W	CARBON	
	R344	QRD148J-750S	75	1/4W	CARBON	
	R345	QRD148J-750S	75	1/4W	CARBON	
	R346	QRD148J-103S	10K	1/4W	CARBON	
	R347	QRD148J-103S	10K	1/4W	CARBON	
	R348	QRD148J-103S	10K	1/4W	CARBON	
	R349	QRD148J-333S	33K	1/4W	CARBON	
	R350	QRD148J-563S	56K	1/4W	CARBON	
	R351	QRD148J-331S	330	1/4W	CARBON	
	R352	QRD148J-331S	330	1/4W	CARBON	
	R353	QRD148J-333S	33K	1/4W	CARBON	
	R354	QRD148J-563S	56K	1/4W	CARBON	
	R355	QRD148J-331S	330	1/4W	CARBON	
	R356	QRD148J-103S	10K	1/4W	CARBON	
	R357	QRD148J-331S	330	1/4W	CARBON	

Resistors

△	ITEM	PART NUMBER	DESCRIPTION			AREA
	R358	QRD148J-101S	100	1/4W	CARBON	
	R359	QRD148J-101S	100	1/4W	CARBON	
	R360	QRD148J-103S	10K	1/4W	CARBON	
	R361	QRD148J-123S	12K	1/4W	CARBON	
	R362	QRD148J-333S	33K	1/4W	CARBON	
	R363	QRD148J-101S	100	1/4W	CARBON	
	R364	QRD148J-182S	1.8K	1/4W	CARBON	
	R365	QRD148J-222S	2.2K	1/4W	CARBON	
	R366	QRD148J-302S	3K	1/4W	CARBON	

Others

△	ITEM	PART NUMBER	DESCRIPTION			AREA
	J331	EMN00TV-405A	PIN JACK ASSY			
	J332	EMN00TV-402A	PIN JACK ASSY			
	J341	EMN00YV-201A	PIN JACK ASSY			
	J342	EMN00YV-302A	PIN JACK ASSY			
	P331	EMV5112-010R	CONNECTOR			
	P332	EMV5112-010R	CONNECTOR			
	P333	EMV5101-003B	PLUG ASSY			
	P341	E04364-006A	6P SOCKET ASSY			
		E11412-002	CIRCUIT BOARD			

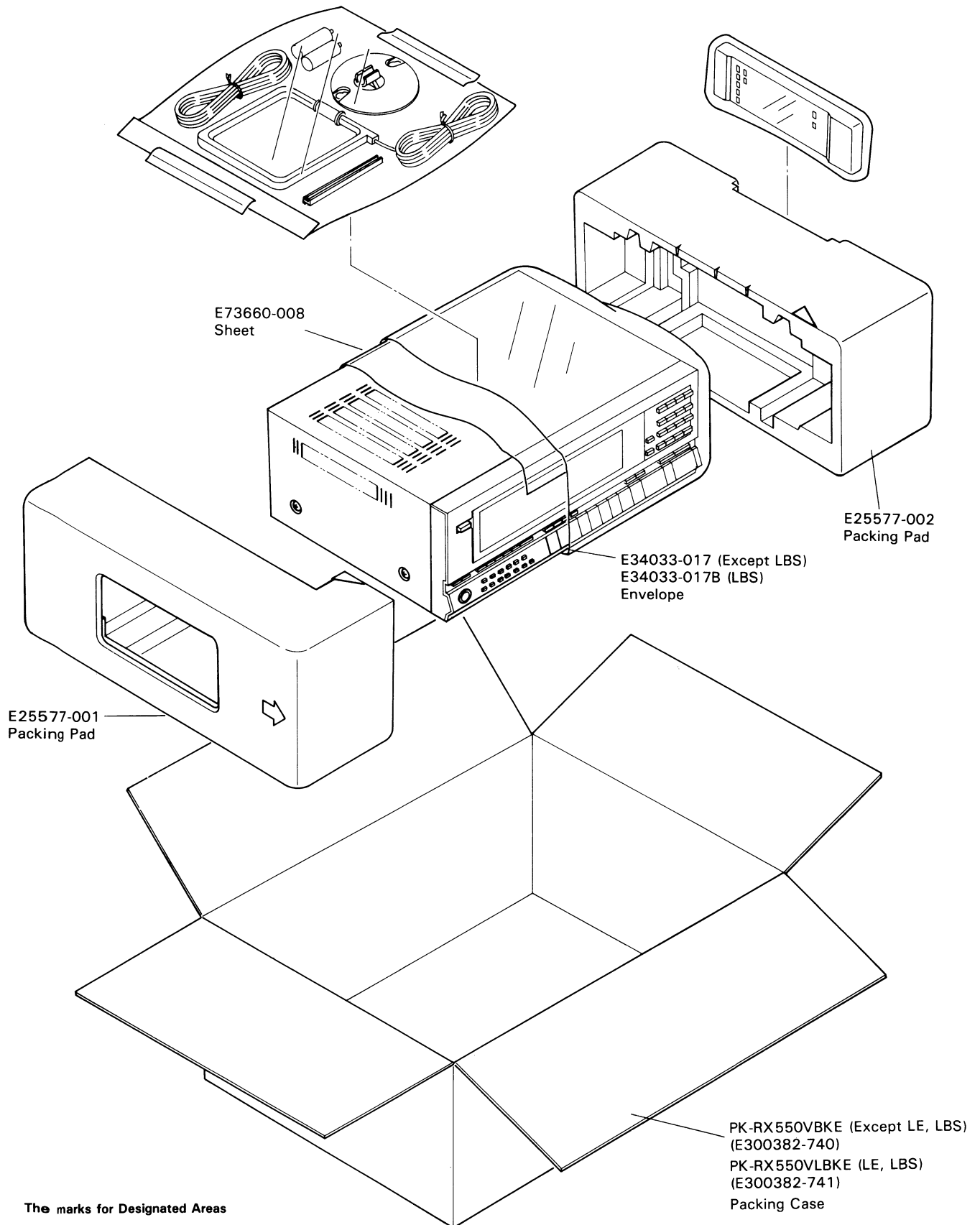
Accessories List

△	Part Number	Part Name	Q'ty	Description	Area
	E30580-1372B	Instruction Book	1		Except LBS
	E30580-1372BBS	Instruction Book	1		LBS
	BT20048B	Warranty Card	1		J, P, PG
	BT20025J	Warranty Card	1		C
	BT20029C	Warranty Card	1		A
	BT20064	Warranty Card	1		G
	BT20060	Warranty Card	1		LBS
	BT20066	EEC Agency	1		LBS, G
	BT20046C	Service Information	1		J, P, PG
	BT20044E	Safety Instruction Sheet	1		J
	BT20071A	Service Center	1		C
	E35497-015	Caution Sheet	1	220V	U, PG
	E35497-013	Caution Sheet	1	110V	P
	E04056	Siemens Plug	1		U, PG
	QZL1008-001	FTZ Information Sheet	1		G
	E0B4001-012	AM Loop Antenna	1		J
	E304084-001	Loop Stand	1		Except LBS
	E41202-2	Envelope	1		LBS
	E41202-2B	Envelope	1		U, P, PG
	B6581-4	Envelope	1		
	QMF51A2-5R0S	Fuse	1		U, PG
	QMF51A2-2R5S	Fuse	1		P
	EWP502-001	Bilt-in Antenna	1		Except G
	B67007-001	Wire Antenna Ass'y	1		
	RM-SR550	Remote Control	1		
	E73088-001	Bracket	1		
	UM-3 (DJ) -2P	Battery	2		
	EMC0201-001BS	AC Plug	1		LBS
	E43486-287B	Inst. Sheet	1		J
	E43486-288A	Inst. Sheet	1		Except J
	E43486-289A	Inst. Sheet			
	E43486-290A	Inst. Sheet	1		Except J
	E43486-294A	Inst. Sheet	1		J
	E43486-302A	Inst. Sheet	1		Except J
	E43486-303A	Inst. Sheet	1		Except J
	E43486-304A	Inst. Sheet	1		Except J
	E43486-165A	Inst. Sheet	1		LBS

△ Safety Parts

RX-550VBK
RX-550VLBK

Packing Materials and Part Numbers



The marks for Designated Areas

J U.S.A.
C Canada
A Australia
G West Germany
E, LE Europe

LBS U.K.
P, PG U.S. Military Market
U Other Countries
No mark indicates all areas.

RX-550VBK
RX-550VLBK